

HC-M-01-COAX-CK2,5-50-M - Connector



1066960

<https://www.phoenixcontact.com/us/products/1066960>

Please be informed that the data shown in this PDF document is generated from our online catalog. Please find the complete data in the user documentation. Our general terms of use for downloads are valid.



Connector, number of positions: 1, power contacts: 0, control contacts: 1, Pin, Crimp connection, 48 V, 16 A, 0.5 mm² ... 4 mm², external cable diameter: 3 mm ... 9.5 mm, application: COAX, 50 Ω

Commercial data

Item number	1066960
Packing unit	1 pc
Minimum order quantity	1 pc
Sales key	BF62
Product key	BF7ACB
Catalog page	Page 585 (C-2-2019)
GTIN	4055626734651
Weight per piece (including packing)	31.889 g
Weight per piece (excluding packing)	31.889 g
Customs tariff number	85389099
Country of origin	CN

HC-M-01-COAX-CK2,5-50-M - Connector



1066960

<https://www.phoenixcontact.com/us/products/1066960>

Technical data

Notes

General	Order crimp contacts separately
General	The potential of the EMC connector housing is isolated from the potential of the heavy connector.
General	Clamps for the clamping range of 3 mm - 6 mm and 6 mm - 9.5 mm
General	Can be used in Item No.: 1417374 HC-M-02-EMC-M
General	For 50 Ω coaxial cables

Product properties

Product type	EMC insert, modular
Number of positions	1
Connection profile	1
Application	COAX
No. of power contacts	0
No. of control contacts	1
Contact material type	turned
Series	HC-M-EMV
Shielded	yes

Insulation characteristics

Overvoltage category	III
Degree of pollution	3

Electrical properties

Rated voltage (III/3)	48 V
Rated surge voltage	0.8 kV
Rated current	16 A
Wave impedance	50 Ω

Connection data

Connection technology

Connection technology	Crimp connection
-----------------------	------------------

Conductor connection

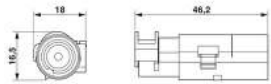
Conductor cross section	0.5 mm ² ... 4 mm ²
Connection cross section AWG	20 ... 12
Stripping length of the individual wire	8 mm (6 mm with 2.5 mm ²)

Dimensions

HC-M-01-COAX-CK2,5-50-M - Connector

1066960

<https://www.phoenixcontact.com/us/products/1066960>

Dimensional drawing	
Height	15.5 mm
Length	46.2 mm

Mechanical characteristics

Contact diameter	2.5 mm
------------------	--------

Material specifications

Material	Zinc alloy
Flammability rating according to UL 94	V0
Contact material	Copper alloy
Contact surface material	Au
Contact carrier material	PC

Cable/line

External cable diameter ()	3 mm ... 9.5 mm
Stripping length of the individual wire	8 mm (6 mm with 2.5 mm ²)
Wave impedance	50 Ω

Mechanical properties

Mechanical data

Insertion/withdrawal cycles	≥ 500
-----------------------------	-------

Environmental and real-life conditions

Ambient conditions

Ambient temperature (operation)	-40 °C ... 85 °C
---------------------------------	------------------

Mounting

Assembly instructions	Disassemble the connector from the plastic module using the tool, order no.: 1678635 HC-M-EMV-KON-EWZ
	The round contact carrier can be separated in the middle for the purpose of mounting/removing the contact.
	Sheath stripping length: 23 mm, shield length: 13 mm, inner conductor stripping length: 8 mm

HC-M-01-COAX-CK2,5-50-M - Connector

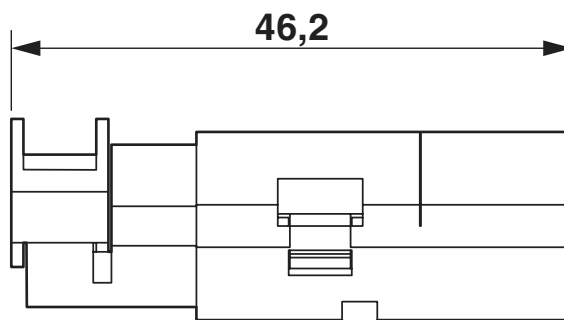
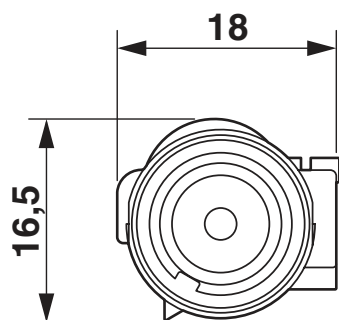


1066960

<https://www.phoenixcontact.com/us/products/1066960>

Drawings

Dimensional drawing



Male insert

HC-M-01-COAX-CK2,5-50-M - Connector



1066960

<https://www.phoenixcontact.com/us/products/1066960>

Approvals

To download certificates, visit the product detail page: <https://www.phoenixcontact.com/us/products/1066960>



EAC

Approval ID: RU C-DE.BL08.B.00511

HC-M-01-COAX-CK2,5-50-M - Connector



1066960

<https://www.phoenixcontact.com/us/products/1066960>

Classifications

ECLASS

ECLASS-11.0	27440205
ECLASS-12.0	27440205
ECLASS-13.0	27440205

ETIM

ETIM 8.0	EC000438
----------	----------

UNSPSC

UNSPSC 21.0	39121500
-------------	----------

HC-M-01-COAX-CK2,5-50-M - Connector



1066960

<https://www.phoenixcontact.com/us/products/1066960>

Environmental product compliance

China RoHS	Environmentally friendly use period: unlimited = EFUP-e
	No hazardous substances above threshold values

HC-M-01-COAX-CK2,5-50-M - Connector

1066960

<https://www.phoenixcontact.com/us/products/1066960>

Accessories

HC-CBU-MOD - Coding element

1636130

<https://www.phoenixcontact.com/us/products/1636130>



Coding socket for coding up to 16 connectors, for HC Modular

HC-CST-MOD - Coding element

1636127

<https://www.phoenixcontact.com/us/products/1636127>



Coding peg for coding up to 16 connectors, for HC Modular

HC-M-01-COAX-CK2,5-50-M - Connector

1066960

<https://www.phoenixcontact.com/us/products/1066960>



HC-M-02-EMC-M - Contact insert module

1417374

<https://www.phoenixcontact.com/us/products/1417374>



Contact insert module, number of positions: 2, Pin, Crimp connection, 48 V, 10 A, 0.14 mm² ... 2.5 mm², application: Data/signal, for using two EMC connectors (pin), number of positions: 1, 4, 8

VS-08-RJ45-FOLIEN-SET - Shielding foil

1417184

<https://www.phoenixcontact.com/us/products/1417184>

Shielding foil set, 25 pieces, replacement for RJ45 and M12 Quickon connector



HC-M-01-COAX-CK2,5-50-M - Connector

1066960

<https://www.phoenixcontact.com/us/products/1066960>

CK2,5-ED-0,50ST AG - Crimp contact

1663572

<https://www.phoenixcontact.com/us/products/1663572>



Crimp contact, contact diameter: 2.5 mm, turned, Pin, contact material: Copper alloy, contact surface: silver-plated, connection cross section: 0.5 mm² ... 0.5 mm², AWG 20

CK2,5-ED-0,75ST AG - Crimp contact

1663585

<https://www.phoenixcontact.com/us/products/1663585>



Crimp contact, contact diameter: 2.5 mm, turned, Pin, contact material: Copper alloy, contact surface: silver-plated, connection cross section: 0.75 mm² ... 0.75 mm², AWG 18

HC-M-01-COAX-CK2,5-50-M - Connector

1066960

<https://www.phoenixcontact.com/us/products/1066960>

CK2,5-ED-1,00ST AG - Crimp contact

1663598

<https://www.phoenixcontact.com/us/products/1663598>



Crimp contact, contact diameter: 2.5 mm, turned, Pin, contact material: Copper alloy, contact surface: silver-plated, connection cross section: 0.75 mm² ... 1 mm², AWG 18

CK2,5-ED-1,50ST AG - Crimp contact

1663608

<https://www.phoenixcontact.com/us/products/1663608>



Crimp contact, contact diameter: 2.5 mm, turned, Pin, contact material: Copper alloy, contact surface: silver-plated, connection cross section: 1.5 mm² ... 1.5 mm², AWG 16

HC-M-01-COAX-CK2,5-50-M - Connector

1066960

<https://www.phoenixcontact.com/us/products/1066960>

CK2,5-ED-2,50ST AG - Crimp contact

1663611

<https://www.phoenixcontact.com/us/products/1663611>



Crimp contact, contact diameter: 2.5 mm, turned, Pin, contact material: Copper alloy, contact surface: silver-plated, connection cross section: 2.5 mm² ... 2.5 mm², AWG 14

CK2,5-ED-3,00ST AG - Crimp contact

1663624

<https://www.phoenixcontact.com/us/products/1663624>



Crimp contact, contact diameter: 2.5 mm, turned, Pin, contact material: Copper alloy, contact surface: silver-plated, connection cross section: 3 mm² ... 3 mm², AWG 12

HC-M-01-COAX-CK2,5-50-M - Connector

1066960

<https://www.phoenixcontact.com/us/products/1066960>

CK2,5-ED-4,00ST AG - Crimp contact

1663637

<https://www.phoenixcontact.com/us/products/1663637>



Crimp contact, contact diameter: 2.5 mm, turned, Pin, contact material: Copper alloy, contact surface: silver-plated, connection cross section: 4 mm² ... 4 mm², AWG 12

CK2,5-ED-0,50M AG - Crimp contact

1273667

<https://www.phoenixcontact.com/us/products/1273667>



Crimp contact, contact diameter: 2.5 mm, turned, Pin, contact material: Copper alloy, lead-free, contact surface: silver-plated, connection cross section: 0.5 mm² ... 0.5 mm², AWG 20

HC-M-01-COAX-CK2,5-50-M - Connector

1066960

<https://www.phoenixcontact.com/us/products/1066960>

CK2,5-ED-0,75M AG - Crimp contact

1273666

<https://www.phoenixcontact.com/us/products/1273666>



Crimp contact, contact diameter: 2.5 mm, turned, Pin, contact material: Copper alloy, lead-free, contact surface: silver-plated, connection cross section: 0.75 mm² ... 0.75 mm², AWG 18

CK2,5-ED-1,00M AG - Crimp contact

1273665

<https://www.phoenixcontact.com/us/products/1273665>



Crimp contact, contact diameter: 2.5 mm, turned, Pin, contact material: Copper alloy, lead-free, contact surface: silver-plated, connection cross section: 1 mm² ... 1 mm², AWG 18

HC-M-01-COAX-CK2,5-50-M - Connector

1066960

<https://www.phoenixcontact.com/us/products/1066960>

CK2,5-ED-1,50M AG - Crimp contact

1273664

<https://www.phoenixcontact.com/us/products/1273664>



Crimp contact, contact diameter: 2.5 mm, turned, Pin, contact material: Copper alloy, lead-free, contact surface: silver-plated, connection cross section: 1.5 mm² ... 1.5 mm², AWG 16

CK2,5-ED-2,50M AG - Crimp contact

1273663

<https://www.phoenixcontact.com/us/products/1273663>



Crimp contact, contact diameter: 2.5 mm, turned, Pin, contact material: Copper alloy, lead-free, contact surface: silver-plated, connection cross section: 2.5 mm² ... 2.5 mm², AWG 14

HC-M-01-COAX-CK2,5-50-M - Connector

1066960

<https://www.phoenixcontact.com/us/products/1066960>

CK2,5-ED-3,00M AG - Crimp contact

1273648

<https://www.phoenixcontact.com/us/products/1273648>



Crimp contact, contact diameter: 2.5 mm, turned, Pin, contact material: Copper alloy, lead-free, contact surface: silver-plated, connection cross section: 3 mm² ... 3 mm², AWG 12

CK2,5-ED-4,00M AG - Crimp contact

1273620

<https://www.phoenixcontact.com/us/products/1273620>



Crimp contact, contact diameter: 2.5 mm, turned, Pin, contact material: Copper alloy, lead-free, contact surface: silver-plated, connection cross section: 4 mm² ... 4 mm², AWG 12

HC-M-01-COAX-CK2,5-50-M - Connector

1066960

<https://www.phoenixcontact.com/us/products/1066960>

CK2,5-ED-0,37ST AU - Crimp contact

1585663

<https://www.phoenixcontact.com/us/products/1585663>



Crimp contact, contact diameter: 2.5 mm, turned, Pin, contact material: Copper alloy, contact surface: gold-plated, connection cross section: 0.14 mm² ... 0.37 mm², AWG 22 ... 26

CK2,5-ED-0,50ST AU - Crimp contact

1674804

<https://www.phoenixcontact.com/us/products/1674804>



Crimp contact, contact diameter: 2.5 mm, turned, Pin, contact material: Copper alloy, contact surface: gold-plated, connection cross section: 0.5 mm² ... 0.5 mm², AWG 20

HC-M-01-COAX-CK2,5-50-M - Connector

1066960

<https://www.phoenixcontact.com/us/products/1066960>

CK2,5-ED-1,00ST AU - Crimp contact

1674781

<https://www.phoenixcontact.com/us/products/1674781>



Crimp contact, contact diameter: 2.5 mm, turned, Pin, contact material: Copper alloy, contact surface: gold-plated, connection cross section: 0.75 mm² ... 1 mm², AWG 18

CK2,5-ED-1,50ST AU - Crimp contact

1674778

<https://www.phoenixcontact.com/us/products/1674778>



Crimp contact, contact diameter: 2.5 mm, turned, Pin, contact material: Copper alloy, contact surface: gold-plated, connection cross section: 1.5 mm² ... 1.5 mm², AWG 16

HC-M-01-COAX-CK2,5-50-M - Connector

1066960

<https://www.phoenixcontact.com/us/products/1066960>

CK2,5-ED-2,50ST AU - Crimp contact

1674817

<https://www.phoenixcontact.com/us/products/1674817>



Crimp contact, contact diameter: 2.5 mm, turned, Pin, contact material: Copper alloy, contact surface: gold-plated, connection cross section: 2.5 mm² ... 2.5 mm², AWG 14

CK2,5-ED-4,00ST AU - Crimp contact

1674794

<https://www.phoenixcontact.com/us/products/1674794>



Crimp contact, contact diameter: 2.5 mm, turned, Pin, contact material: Copper alloy, contact surface: gold-plated, connection cross section: 4 mm² ... 4 mm², AWG 12

HC-M-01-COAX-CK2,5-50-M - Connector

1066960

<https://www.phoenixcontact.com/us/products/1066960>

CK2,5-ED-0,37M AU - Crimp contact

1273603

<https://www.phoenixcontact.com/us/products/1273603>



Crimp contact, contact diameter: 2.5 mm, turned, Pin, contact material: Copper alloy, lead-free, contact surface: gold-plated, connection cross section: 0.14 mm² ... 0.37 mm², AWG 22 ... 26

CK2,5-ED-0,50M AU - Crimp contact

1273601

<https://www.phoenixcontact.com/us/products/1273601>



Crimp contact, contact diameter: 2.5 mm, turned, Pin, contact material: Copper alloy, lead-free, contact surface: gold-plated, connection cross section: 0.5 mm² ... 0.5 mm², AWG 20

HC-M-01-COAX-CK2,5-50-M - Connector

1066960

<https://www.phoenixcontact.com/us/products/1066960>

CK2,5-ED-1,00M AU - Crimp contact

1273582

<https://www.phoenixcontact.com/us/products/1273582>



Crimp contact, contact diameter: 2.5 mm, turned, Pin, contact material: Copper alloy, lead-free, contact surface: gold-plated, connection cross section: 1 mm² ... 1 mm², AWG 18

CK2,5-ED-1,50M AU - Crimp contact

1273581

<https://www.phoenixcontact.com/us/products/1273581>



Crimp contact, contact diameter: 2.5 mm, turned, Pin, contact material: Copper alloy, lead-free, contact surface: gold-plated, connection cross section: 1.5 mm² ... 1.5 mm², AWG 16

HC-M-01-COAX-CK2,5-50-M - Connector

1066960

<https://www.phoenixcontact.com/us/products/1066960>

CK2,5-ED-2,50M AU - Crimp contact

1273572

<https://www.phoenixcontact.com/us/products/1273572>



Crimp contact, contact diameter: 2.5 mm, turned, Pin, contact material: Copper alloy, lead-free, contact surface: gold-plated, connection cross section: 2.5 mm² ... 2.5 mm², AWG 14

CK2,5-ED-4,00M AU - Crimp contact

1273568

<https://www.phoenixcontact.com/us/products/1273568>



Crimp contact, contact diameter: 2.5 mm, turned, Pin, contact material: Copper alloy, lead-free, contact surface: gold-plated, connection cross section: 4 mm² ... 4 mm², AWG 12

HC-M-01-COAX-CK2,5-50-M - Connector

1066960

<https://www.phoenixcontact.com/us/products/1066960>

HC-M-B06-MFH-B - Module carrier frame

1182085

<https://www.phoenixcontact.com/us/products/1182085>



Module carrier frame, size: B6, type : for the panel mounting side (a, b, c, ...), 4 mm² ... 6 mm², application: Module carrier frame

HC-M-B10-MFH-B - Module carrier frame

1182088

<https://www.phoenixcontact.com/us/products/1182088>



Module carrier frame, size: B10, type : for the panel mounting side (a, b, c, ...), 4 mm² ... 6 mm², application: Module carrier frame

HC-M-01-COAX-CK2,5-50-M - Connector

1066960

<https://www.phoenixcontact.com/us/products/1066960>

HC-M-B16-MFH-B - Module carrier frame

1182090

<https://www.phoenixcontact.com/us/products/1182090>

Module carrier frame, size: B16, type : for the panel mounting side (a, b, c, ...), 4 mm² ... 6 mm², application: Module carrier frame



HC-M-B24-MFH-B - Module carrier frame

1182094

<https://www.phoenixcontact.com/us/products/1182094>

Module carrier frame, size: B24, type : for the panel mounting side (a, b, c, ...), 4 mm² ... 6 mm², application: Module carrier frame



HC-M-01-COAX-CK2,5-50-M - Connector

1066960

<https://www.phoenixcontact.com/us/products/1066960>

HC-M-B06-MFH-H - Module carrier frame

1182087

<https://www.phoenixcontact.com/us/products/1182087>



Module carrier frame, size: B6, type : for the sleeve side (A, B, C, ...), 4 mm² ... 6 mm², application: Module carrier frame

HC-M-B10-MFH-H - Module carrier frame

1182089

<https://www.phoenixcontact.com/us/products/1182089>



Module carrier frame, size: B10, type : for the sleeve side (A, B, C, ...), 4 mm² ... 6 mm², application: Module carrier frame

HC-M-01-COAX-CK2,5-50-M - Connector

1066960

<https://www.phoenixcontact.com/us/products/1066960>

HC-M-B16-MFH-H - Module carrier frame

1182093

<https://www.phoenixcontact.com/us/products/1182093>

Module carrier frame, size: B16, type : for the sleeve side (A, B, C, ...), 4 mm² ...
6 mm², application: Module carrier frame



HC-M-B24-MFH-H - Module carrier frame

1182095

<https://www.phoenixcontact.com/us/products/1182095>

Module carrier frame, size: B24, type : for the sleeve side (A, B, C, ...), 4 mm² ...
6 mm², application: Module carrier frame



HC-M-01-COAX-CK2,5-50-M - Connector

1066960

<https://www.phoenixcontact.com/us/products/1066960>

CRIMPFOX-TC MP-6 - Crimping pliers with digital display

1202888

<https://www.phoenixcontact.com/us/products/1202888>



Crimping tool, for turned contacts, universal cross-section setting, up to a maximum of 6.0 mm², digital display with 0.01 mm increments, pressure lock can be unlocked, positioning tool necessary as an accessory for contact positioning

CRIMPFOX-1,6/2,5-ED-4,0 - Crimping pliers

1687419

<https://www.phoenixcontact.com/us/products/1687419>



Crimping pliers, for turned contacts, CK 1.6 ED... and CK 2.5 ED...

HC-M-01-COAX-CK2,5-50-M - Connector

1066960

<https://www.phoenixcontact.com/us/products/1066960>



CRIMPFOX-TC 4 - Crimping pliers

1212113

<https://www.phoenixcontact.com/us/products/1212113>



Crimping pliers, for CK 1,6-ED..., CK 2,5-ED..., CK 4,0-ED... turned contacts, 4 marked die stations, unlockable pressure lock, lateral entry, incl. positioning tool

HC-M-01-COAX-CK2,5-50-F - Connector

1066959

<https://www.phoenixcontact.com/us/products/1066959>



Connector, number of positions: 1, power contacts: 0, control contacts: 1, Socket, Crimp connection, 48 V, 16 A, 0.5 mm² ... 4 mm², external cable diameter: 3 mm ... 9.5 mm, application: COAX, 50 Ω

HC-M-01-COAX-CK2,5-50-M - Connector

1066960

<https://www.phoenixcontact.com/us/products/1066960>



HC-M-EMV-KON-EWZ - Contact removal tool

1678635

<https://www.phoenixcontact.com/us/products/1678635>



Contact removal tool for HC-M-EMV contact carriers

UNIFOX RT-CK 2.5 - Contact removal tool

1072067

<https://www.phoenixcontact.com/us/products/1072067>



Contact removal tool, for turned CK 2,5... contacts

HC-M-01-COAX-CK2,5-50-M - Connector



1066960

<https://www.phoenixcontact.com/us/products/1066960>

UNIFOX MT-CK 1.6/2.5 - Assembly tool

1089092

<https://www.phoenixcontact.com/us/products/1089092>

Assembly tool, for CK 1.6... crimp contacts for small conductor cross sections



Phoenix Contact 2023 © - all rights reserved

<https://www.phoenixcontact.com>

Phoenix Contact USA
586 Fulling Mill Road
Middletown, PA 17057, United States
(+717) 944-1300
info@phoenixcon.com