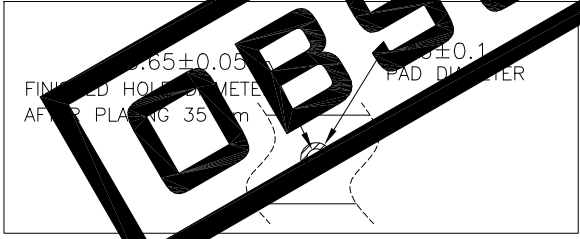
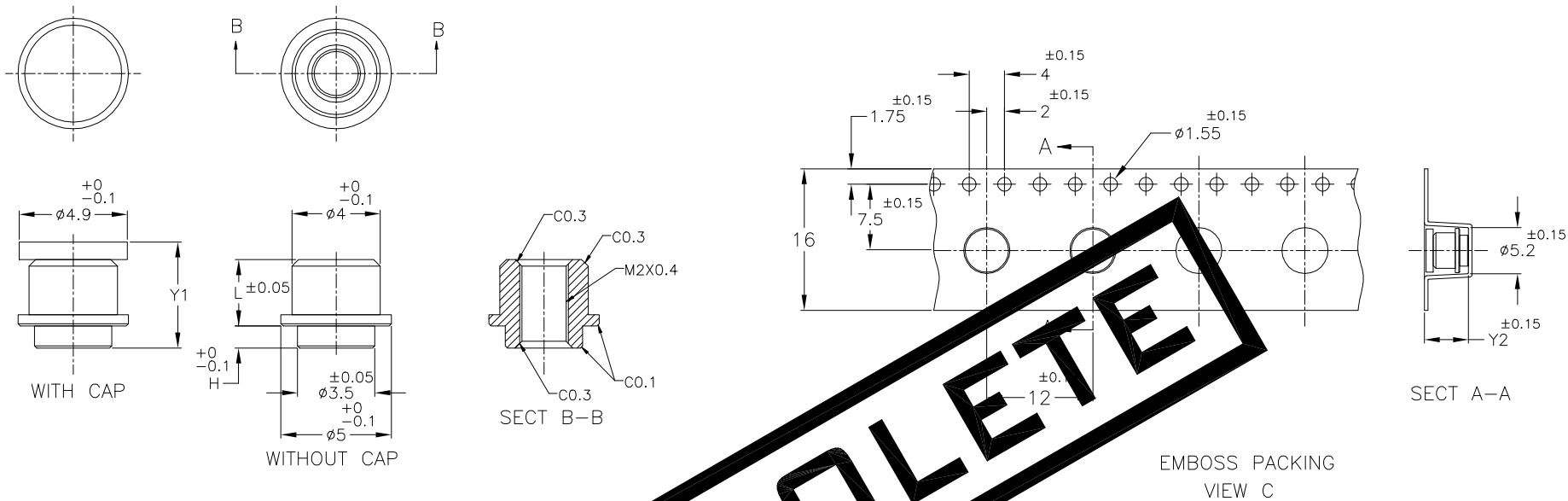


THIS DRAWING IS UNPUBLISHED. RELEASED FOR PUBLICATION SEP, 2003.
 © COPYRIGHT 2003 By - ALL RIGHTS RESERVED.

REVISIONS				
P	LTR	DESCRIPTION	DATE	APVD
C1		REVISED PER ECO-19-015526	11OCT2019	AL HL



RECOMMENDED PCB DESIGN

1. STUD : CAP : 46
 2. Ni PLATING
 3. FR-4, t=1.0REF

- NOTE
 1. MATERIAL : STUD : BRASS
 CAP : 46 NYLON
 2. FINISH : MATTE TIN PLATING AFTER Ni PLATING.
 3. NO BURR IS ALLOWED AT UNSPECIFIED CORNERS.
 FR-4, t=1.0REF

ⓑ	1000	5.8	5.6	0.6	4.2	1717786-5
ⓑ	1200	4.6	4.4	0.6	3.0	1717786-4
Ⓐ	800	9.0	8.8	1	7.0	1717786-2
Ⓐ	1000	5.0	4.8	1	3.0	1717786-1
ⓐ	PACKAGE	Y2	Y1	H	L	P/NO.

THIS DRAWING IS A CONTROLLED DOCUMENT.

DIMENSIONS: 單位: 耗 MM	TOLERANCES UNLESS OTHERWISE SPECIFIED: 一般公差	DWN H.TAKASU 16SEP03	TE Connectivity Ltd.		
	0 PLC ± 0.3 1 PLC ± 0.3 2 PLC ± 0.1 3 PLC ± 4 PLC ± ANGLES ± 1	CHK K.KODAIRA 16SEP03	NAME K.KODAIRA PRODUCT SPEC 製品規格		
MATERIAL 材料 SEE TABLE	FINISH 仕上	APVD K.KODAIRA 16SEP03	APPLICATION SPEC 取付適用規格		
		WEIGHT	SIZE A3	CAGE CODE 00779	DRAWING NO G=1717786
		CUSTOMER DRAWING	SCALE 尺度 NTS	SHEET 1 OF 2	RESTRICTED TO REV C1

THIS DRAWING IS UNPUBLISHED.

RELEASED FOR PUBLICATION

SEP .01 .

© COPYRIGHT 2003 By -

ALL RIGHTS RESERVED.

REVISIONS

変更

P	LTR	DESCRIPTION	DATE	DWN	APVD
-	-	SEE SHEET 1	-	-	-

DIRECTION OFF TOP OF REEL →

WEEDING THE COVER TAPE :
300MIN
(NOT INCLUDE
EMPTY POCKETS)

??????????
300??
??????????

PEELING ANGLE :
??? 165°~180°



OBSOLETE

THIS DRAWING IS A CONTROLLED DOCUMENT.		DWN H.TAKASU 16SEP2003	TE Connectivity Ltd.																			
DIMENSIONS: 單位：耗 MM		CHK K.KODAIRA 16SEP2003																				
TOLERANCES UNLESS OTHERWISE SPECIFIED: 一般公差		APVD K.KODAIRA 16SEP2003	NAME 名称 EMBOSS PACKAGE, MDC-STUD																			
<table border="1"> <tr><td>0</td><td>PLC</td><td>± 0.3</td></tr> <tr><td>1</td><td>PLC</td><td>± 0.3</td></tr> <tr><td>2</td><td>PLC</td><td>± 0.1</td></tr> <tr><td>3</td><td>PLC</td><td>±</td></tr> <tr><td>4</td><td>PLC</td><td>±</td></tr> <tr><td colspan="2">ANGLES</td><td>± 1</td></tr> </table>		0	PLC	± 0.3	1	PLC	± 0.3	2	PLC	± 0.1	3	PLC	±	4	PLC	±	ANGLES		± 1	PRODUCT SPEC 製品規格	DRAWING NO 番号 A3 00779 G=1717786	
0	PLC	± 0.3																				
1	PLC	± 0.3																				
2	PLC	± 0.1																				
3	PLC	±																				
4	PLC	±																				
ANGLES		± 1																				
MATERIAL 材料 SEE TABLE		APPLICATION SPEC 取付適用規格	RESTRICTED TO —																			
		WEIGHT	SCALE 尺度 NTS																			
		CUSTOMER DRAWING	SHEET 2 OF 2																			
			REV C1																			