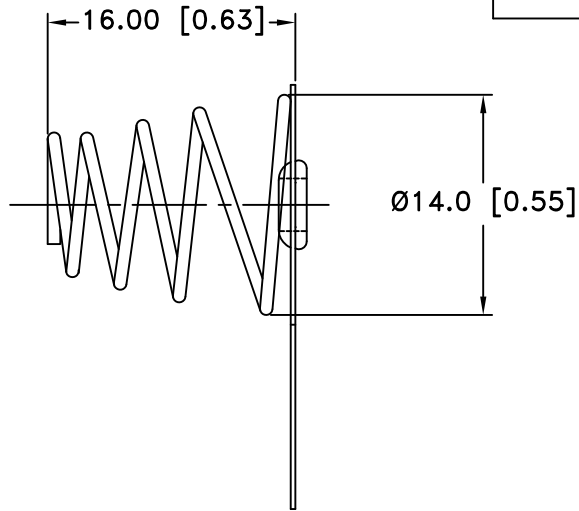
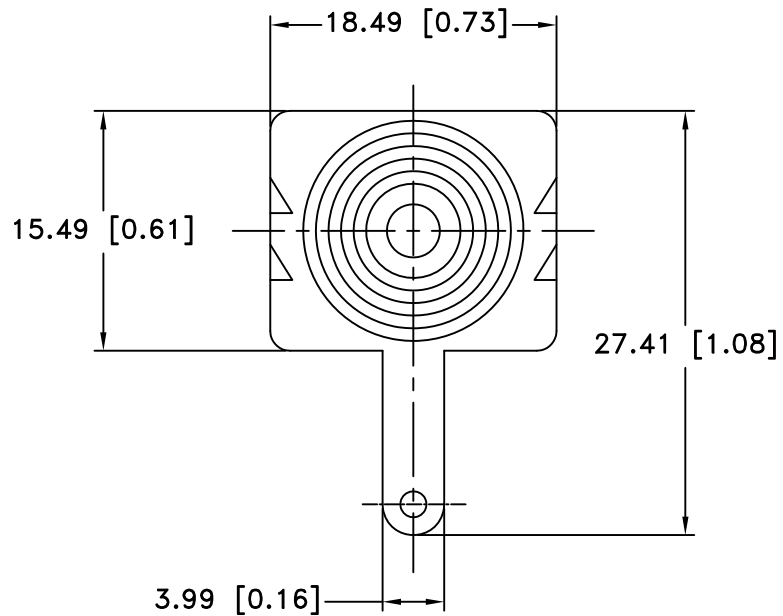



| Date | SYM | REVISION RECORD | AUTH | DR. | CK. |
|----------|-----|------------------------------|------|------|-----|
| 03/15/03 | A | TIN PLATED WAS NICKEL PLATED | T.B. | B.S. | |
| 2/25/06 | B | ADDED "ROHS COMPLIANT" | T.B. | B.S. | |
| 11/21/14 | C | UPDATED TO ROHS 2 COMPLIANT | T.B. | B.S. | |
| 03/24/17 | D | UPDATED NOTE | T.B. | B.S. | |
| | | | | | |



NOTES:

1. BASE: STEEL, 0.3mm (0.012") THICK. BRIGHT TIN PLATED.
2. SPRING: STEEL, 0.8mm (0.032") THICK. NICKEL PLATED.
3. ROHS 2 COMPLIANT

| | | | |
|--------------------------------|---|------------------|---------------------------|
| Tolerance (Except as noted) |  Memory Protection Devices, Inc 200 Broad Hollow Road, Farmingdale, New York 11735 | Scale | Drawn By B.S. |
| | | | Approved By T.B. |
| decimal ±.5 (.020) | Title SNT8 "C" CELL BATTERY CONTACT | | |
| Fractional ± .8 (.030) | | Date 03/24/17 | Drawing Number SN-T8-2 |
| Angular ± 3° | | | |