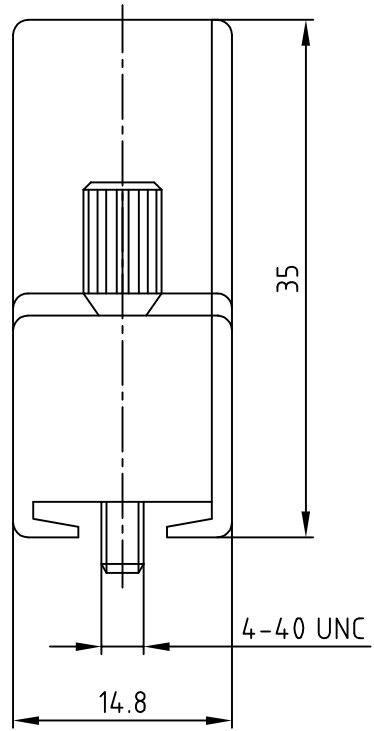
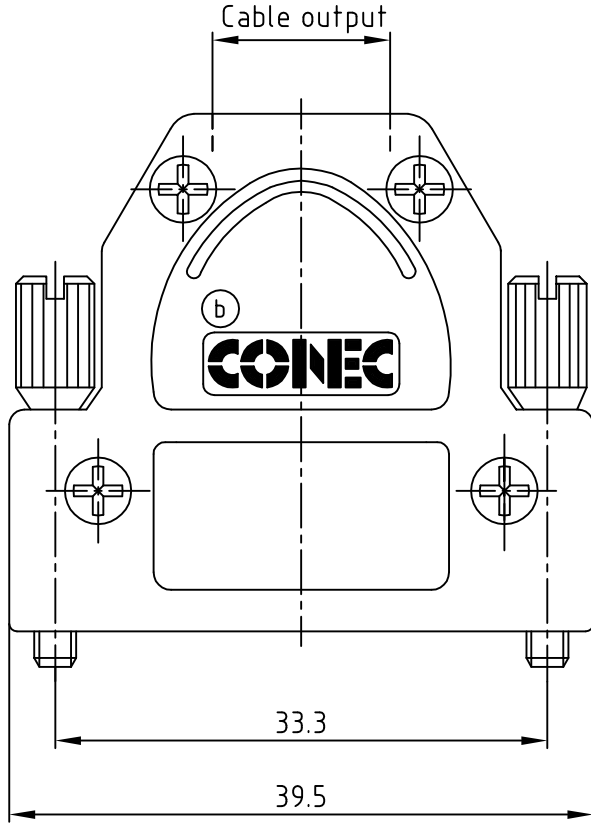
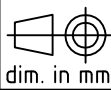



used for: D-SUB



THIS DRAWING MAY NOT BE COPIED OR REPRODUCED IN ANY WAY, AND MAY NOT BE PASSED ON TO A THIRD PARTY WITHOUT WRITTEN PERMISSION.
 OWNERSHIP AND COPYRIGHT OF CONEC GmbH
 DO NOT ALTER CAD DRAWING BY HAND

finish:		tolerance		 dim. in mm	
		2007	date	name	
		drawn	12.04.	Schwenkler	
		appd.	12.04.	Mickenbecker	
		norm			
		d-old			
1 x b	Ä6677	28.04.2017	Unkrüer		
a	Original				
rev.	description	date	name		

scale:	2:1	
material:	HOOD: DIE-CAST ZINC	
title:	METAL HOOD 15pos. EMI / RFI SHIELDING with jack screws	
dwg no:	AutoCAD	DIN-A
	16K1A2043	4
part no:	600X51215X	
		sh: 1/1