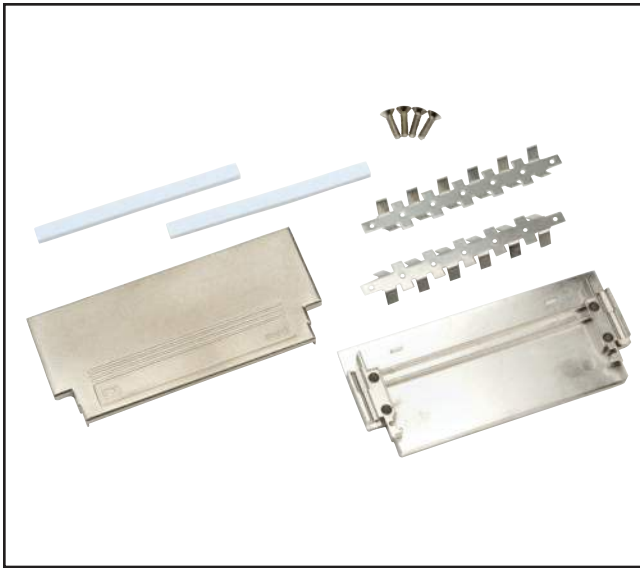


3M™ Mini D Ribbon (MDR) Connectors

.050" Metal Junction Shell for Flat Cable

103 Series



- Rugged two piece metal junction shell for straight flat cable (compatible with 101XX-6000EC plug)
- Jackscrew latching for connection stability
- Contacts: 68, 80 and 100
- See the Regulatory Information Appendix (RIA) in the "RoHS compliance" section of www.3Mconnector.com for compliance information (RIA E1 & C1 apply)

Date Modified: March 10, 2010

TS-0666-B
Sheet 1 of 2

Physical

Shell

Material: Zinc, .030" [0.8 mm] Thick

Plating: Nickel

Gasket Material: Elastomer with Conductive Fibers

Marking: 3M Logo and Part Number



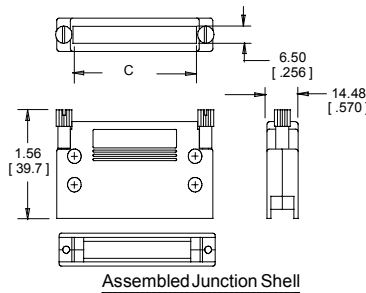
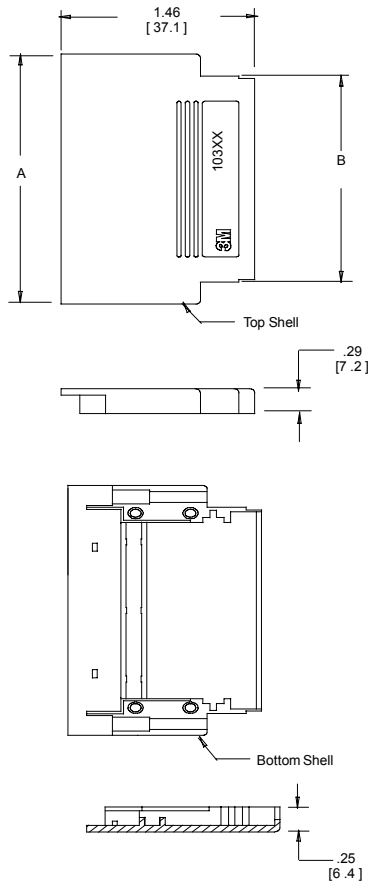
3M™ Mini D Ribbon (MDR) Connectors

.050" Metal Junction Shell for Flat Cable

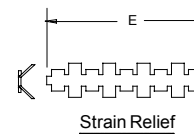
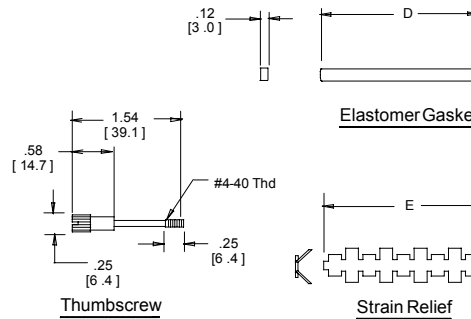
103 Series

Contact Quantity	Dimensions				
	A	B	C	D	E
68	2.51 [63.8]	2.07 [52.6]	1.98 [50.3]	1.76 [44.8]	1.85 [46.9]
80	2.81 [71.4]	2.37 [60.2]	2.28 [57.9]	2.06 [52.4]	2.25 [57.2]
100	3.31 [84.1]	2.87 [72.9]	2.78 [70.6]	2.56 [65.1]	2.66 [67.5]

Package Contents:
 4 ea - M2.5 Pozidriv® flat head self-tapping screws
 2 ea - Metal shell halves
 2 ea - Thumb screws, #4-40
 2 ea - Elastomer Gaskets
 2 ea - Ground Plates



Package Contents:
 4 ea M2.5 Pozidriv® Flat Head Self-tapping Screws
 2 ea Metal Shell Halves
 2 ea Thumb Screws, #4-40
 2 ea Elastomer Gaskets
 2 ea Ground Plates



Inch
[mm]

Tolerance Unless Noted			
	.0	.00	.000
Inch	±.1	±.01	±.005

[] Dimensions for Reference only

Notes:

1. Accepts 3M Part Number 101XX-6000 Connector and 90101/XX Pleated Foil Cable.
2. Use Pozidriv® screwdriver point size 1. Pozidriv® is a registered trademark of Phillips Screw Company.

Ordering Information

103XX - 12R1 - 00

Contact Quantity (See Table)
 Note 100 position = A0

TS-0666-B
 Sheet 2 of 2

Important Notice

All statements, technical information, and recommendations related to 3M's products are based on information believed to be reliable, but the accuracy or completeness is not guaranteed. Before using this product, you must evaluate it and determine if it is suitable for your intended application. You assume all risks and liability associated with such use. Any statements related to the product which are not contained in 3M's current publications, or any contrary statements contained on your purchase order shall have no force or effect unless expressly agreed upon, in writing, by an authorized officer of 3M.

Warranty; Limited Remedy; Limited Liability.

This product will be free from defects in material and manufacture for a period of one (1) year from the time of purchase. **3M MAKES NO OTHER WARRANTIES INCLUDING, BUT NOT LIMITED TO, ANY IMPLIED WARRANTY OF MERCHANTABILITY OR FITNESS FOR A PARTICULAR PURPOSE.** If this product is defective within the warranty period stated above, your exclusive remedy shall be, at 3M's option, to replace or repair the 3M product or refund the purchase price of the 3M product. **Except where prohibited by law, 3M will not be liable for any indirect, special, incidental or consequential loss or damage arising from this 3M product, regardless of the legal theory asserted.**

**3M Electronics Solutions Division**

6801 River Place Blvd.
Austin, TX 78726-9000
U.S.A.
1-800-225-5373
www.3Mconnector.com

Please recycle. Printed in USA.
© 3M 2010. All rights reserved.
RIA-2217B-E

3M is a trademark of 3M Company.