

# Pole mount:

Stainless Steel Hose Clamp (2X)  
Diameter Range: 46~70

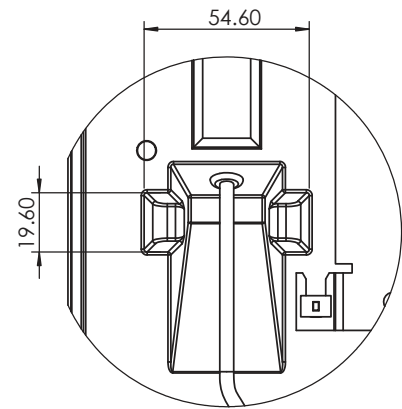
2 X Self Thread screw  
Torque: 7.5kgfcm

Connector Facing Label

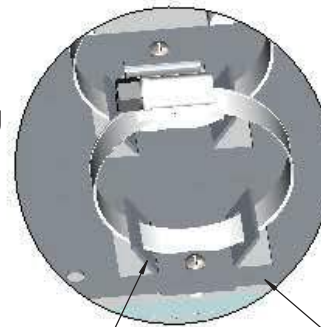
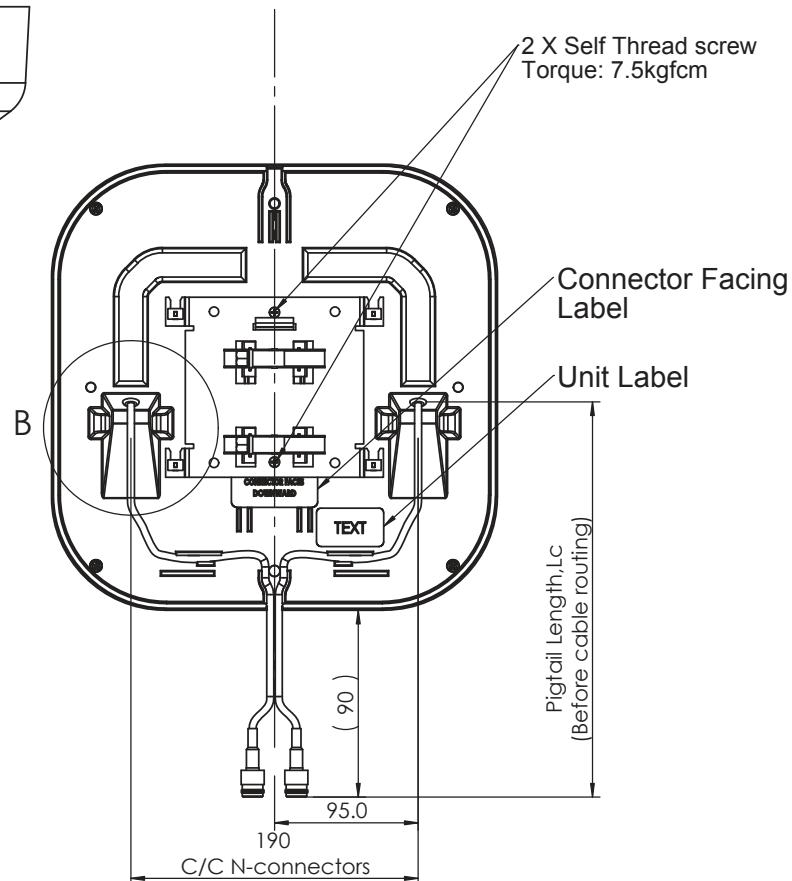
Unit Label

Mask mounting bracket

Low profile Wall mounting bracket



DETAIL B  
SCALE 2 : 5



THIS DRAWING IS UNPUBLISHED. RELEASED FOR PUBLICATION  
© Copyright 2022 TE Connectivity Ltd. ALL RIGHTS RESERVED.

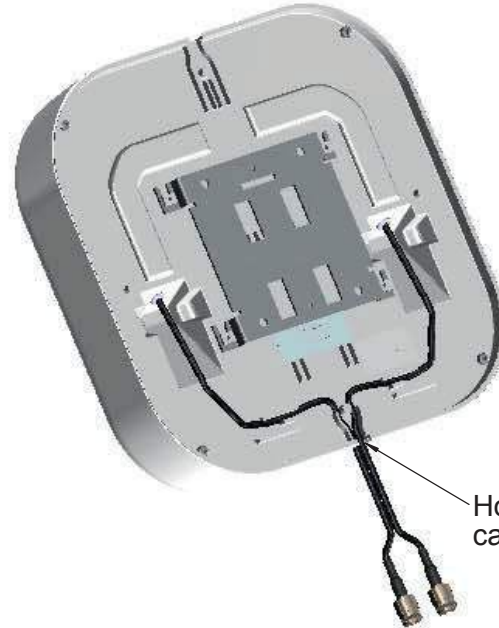
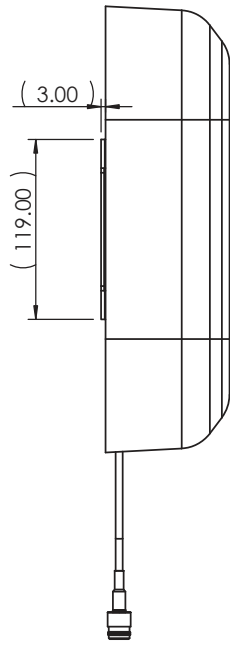
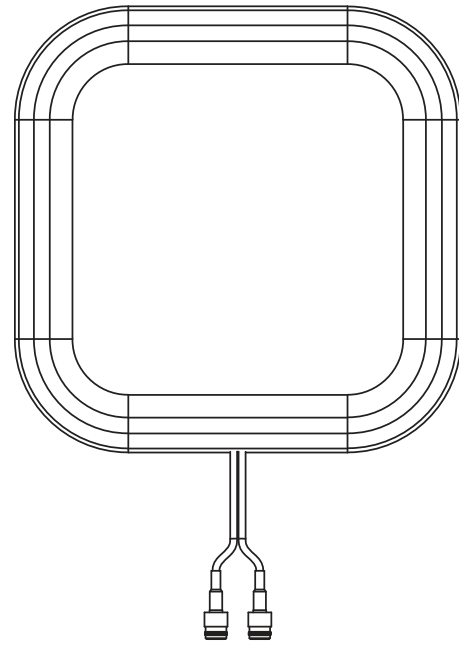
REVISIONS					
REV.	ECR#	ZONE	DESCRIPTION	CHANGED BY/DATE	APPROVED BY/DATE
F02	ECO-19-00195		CORRECTION TYPO; PN IN TABLE PAS69278P-91NF WAS PAS69273P-91NF	WT NG 05APR19	WT NG 05APR19

Parameter	Performance
TE Part Number	PAS69278P-91NF
Antenna Type	Directional Panel
Cable Type	Semi Flexiform 402
Connector Type	Dual Type N-Female
Operating Frequency Range	698-960MHz / 1710-2700MHz
VSWR	2:1 max
Norminal Impedance	50 ohms
Gain (dBi)	8.7 (typical), 9.1 (max) @ 700 Band 9.0 (typical), 9.7 (max) @ 850 Band 9.8 (typical), 10.4 (max) @ 900 Band 7.5 (typical), 8.5 (max) @ 1800 Band 8.5 (typical), 9.1 (max) @ 1900 Band 8.4 (typical), 9.1 (max) @ 2100 Band 9.5 (typical), 10.1 (max) @ 2300 Band 9.7 (typical), 10.0 (max) @ 2600Band
3 dB Beamwidth (Vertical plane)	58° to 67° (698-960 MHz); 53° to 77° (1710-2700 MHz)
3 dB Beamwidth (Horizontal plane)	58° to 68° (698-960 MHz); 52° to 78° (1710-2700 MHz)
F/B Ratio, CO-pol	21 dB
CPR at Boresight	23 dB (typical), 25 dB (min, 698-960 MHz), 17 dB (min, 1710-2700 MHz)
Isolation, dB	> 30 (typical), 28 dB (min)
Polarization	Slant ± 45°
PIM, 3rd order, 2X20W	<-150dBc
Max Input Power (watts) per port	50W
Outdoor Rated	No
Ingress Protection	IP20
Operational Temperature Range (°C)	-30 to +70
Storage Temperature Range (°C)	-40 to +85
Environmental Conditions	ETSI EN300 019-2-4, class 4.1E.
Wind Rating	150 km/hr (93 mph)
Flammability Rating (Radome)	UL 94V0 Materials
Radome & Base Color	White, color code (SABIC) WH9B034
RoHS	Yes
Cable Exposed Length	910mm ± 20mm
Dimensions	295 x 295 x 82 mm
Antenna Weight	1.46 kg

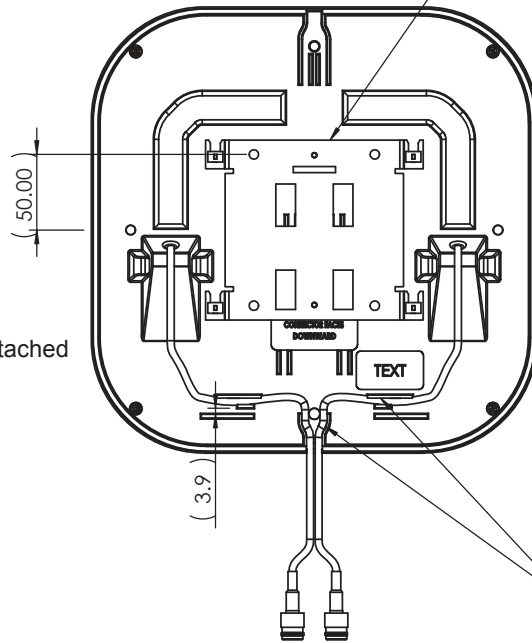
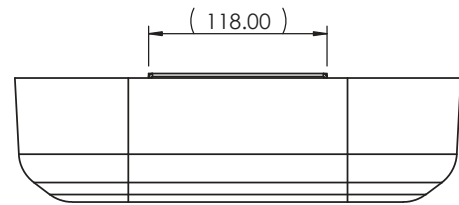
MATERIAL:		THIRD ANGLE PROJECTION
FINISH:		
APPROVALS		DO NOT SCALE DRAWING
DRAWN BY	WT NG	DATE
ELEC. ENG.	TH LEE	19MAR12
MECH. ENG.	GJ CHIN	19MAR12
MFG./OPS.	LT GAN	24SEP14
INTERPRET DIMENSIONING AND TOLERANCING IN ACCORDANCE WITH ASME Y14.5M-2009		TITLE:
TOLERANCES UNLESS OTHERWISE SPECIFIED		PAS69278P-91NF
DIMENSIONS ARE IN MILLIMETERS		SIZE
ANGLE: ±30'		A3
0 PLACE DECIMAL: ±0.5		DWG. NO.
1 PLACE DECIMAL: ±0.25		PAS69278P-91NFMO
2 PLACE DECIMAL: ±0.13		REV
SURFACE ROUGHNESS 1.6/√		F02

SCALE: 1:5		PREVIOUS#	SHEET 1 OF 2
------------	--	-----------	--------------

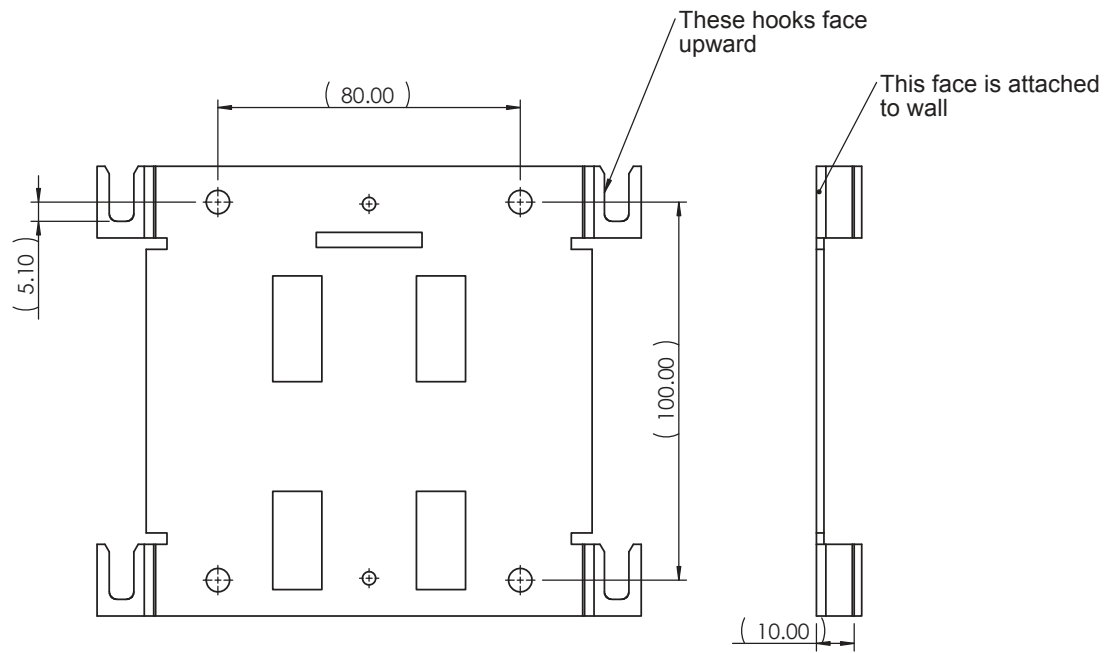
Wall mount:  
Antenna is hooked up  
to Wall mounting bracket



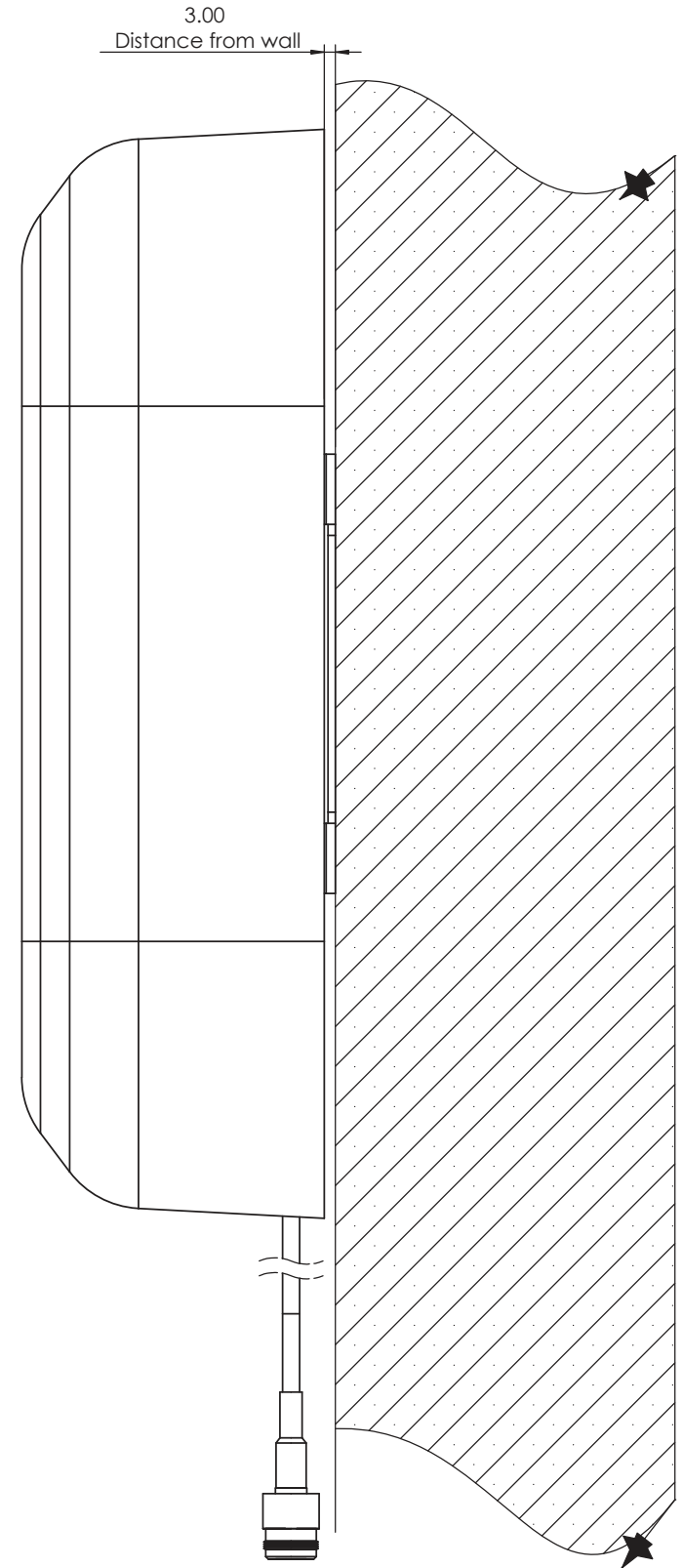
Wall Mounting Bracket.  
To be installed on wall  
with supplied #6 X1.25" screws and anchors.  
Dims and location is shown below.



Ribs for cable dressing  
Cable to be routed to  
bottom side as per  
illustrated.



Low profile Wall Mounting Bracket:  
Drilling dims and Orientation



THIS DRAWING IS UNPUBLISHED.	RELEASED FOR PUBLICATION	- . - .
© Copyright 2022 TE Connectivity Ltd.	ALL RIGHTS RESERVED.	

SIZE <b>A3</b>	DWG. NO. <b>PAS69278P-91NFMO</b>	REV <b>F02</b>
SCALE: 1:5	PREVIOUS#	SHEET 2 OF 2