

**DESIGNED & DIMENSIONED
IN MILLIMETERS [INCHES]**

DO NOT
SCALE FROM
THIS PRINT

BNC7T-J-P-XX-ST-EMXD

GENDER
-J: JACK

TYPE
-P: PCB

TERMINATION
-EM1D: 1.57[.062] PCB
-EM2D: 2.29[.090] PCB

ORIENTATION
-ST: STRAIGHT

TABLE 1

ITEM	COMPONENT	-HN	*-MN	-GN
1	SUB ASSEMBLY	SUB-BNC7T-J-P-XX-ST-EMXD (SEE TABLE 2)		
2	NUT	BTNC-NUT-003-N		
3	LOCK WASHER	BTNC-LWAS-001-N		

* AVAILABLE TO EXISTING CUSTOMERS ONLY

PLATING SPECIFICATION

-HN: 30µ" GOLD CENTER CONTACT
100µ" NICKEL OUTER BODY CONTACT
100µ" NICKEL ON BODY

*-MN: 10µ" GOLD CENTER CONTACT
100µ" NICKEL OUTER BODY CONTACT
100µ" NICKEL ON BODY

-GN: 10µ" GOLD CENTER CONTACT
100µ" NICKEL OUTER BODY CONTACT
100µ" NICKEL ON BODY

* = FOR EXISTING CUSTOMERS ONLY

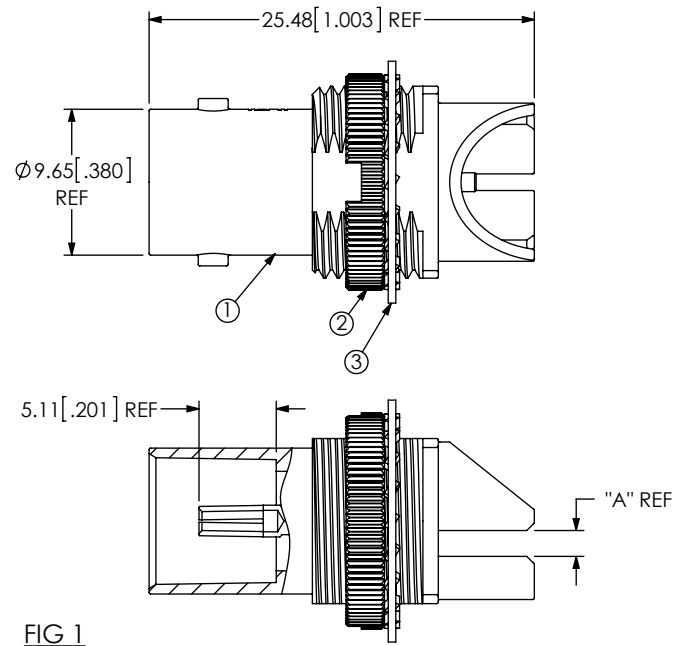
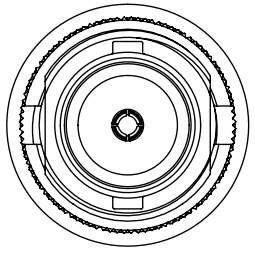
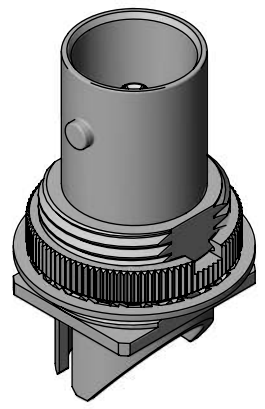
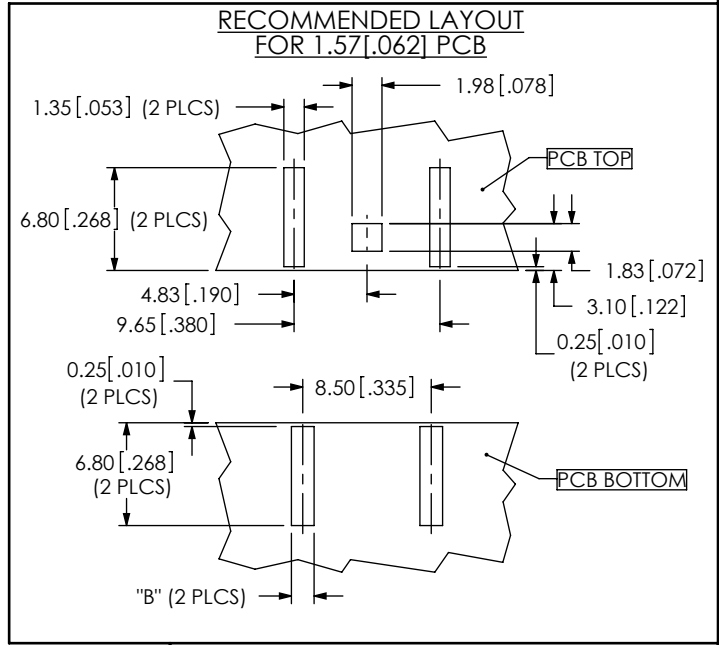


FIG 1
BNC7T-J-P-XX-ST-EM1D SHOWN



RECOMMENDED MOUNTING HOLE
4.00[.157] MAX PANEL THICKNESS

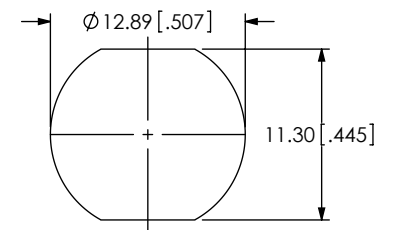


TABLE 2

	-HN	*-MN	-GN	"A"	"B"
-EM1D	SUB-BNC7T-J-P-HN-ST-EM1D	SUB-BNC7T-J-P-GN-ST-EM1D	SUB-BNC7T-J-P-GN-ST-EM1D	1.71	1.50
-EM2D	SUB-BNC7T-J-P-HN-ST-EM2D	SUB-BNC7T-J-P-GN-ST-EM2D	SUB-BNC7T-J-P-GN-ST-EM2D	2.44	1.65

* AVAILABLE TO EXISTING CUSTOMERS ONLY

NOTES:

- ⊕ REPRESENTS A CRITICAL DIMENSION.
- FABRICATED PARTS MUST BE FREE OF SCRATCHES, TOOL MARKS, ETC.
- SUPPLIER TO REMOVE BURRS.
- RoHS COMPLIANT.
- PRODUCT TO BE PACKAGED PER PACKAGING STANDARD CO-HD-WI-3033-M
- NOTE DELETED.
- NOTE DELETED.
- NOTE DELETED.

UNLESS OTHERWISE SPECIFIED,
DIMENSIONS ARE IN MILLIMETERS.
TOLERANCES ARE:
DECIMALS ANGLES
.X: ±0.3 [.01] 2°
.XX: ±0.13 [.005]
.XXX: ±0.051 [.0020]

PROPRIETARY NOTE
THIS DOCUMENT CONTAINS CONFIDENTIAL AND PROPRIETARY INFORMATION AND ALL DESIGN, MANUFACTURING, REPRODUCTION, USE, PATENT RIGHTS AND SALES RIGHTS ARE EXPRESSLY RESERVED BY SAMTEC, INC. THIS DOCUMENT SHALL NOT BE DISCLOSED, IN WHOLE OR PART, TO ANY UNAUTHORIZED PERSON OR ENTITY NOR REPRODUCED, TRANSFERRED OR INCORPORATED IN ANY OTHER PROJECT IN ANY MANNER WITHOUT THE EXPRESS WRITTEN CONSENT OF SAMTEC, INC.



520 PARK EAST BLVD, NEW ALBANY, IN 47150
PHONE: 812-944-6733 FAX: 812-948-5047
e-Mail: info@SAMTEC.com code: 55322

MATERIAL: SHELL: ZAMAK 3
NUT, WASHER: BRASS
CONTACT: COPPER ALLOY

DO NOT SCALE DRAWING SHEET SCALE: 2:1

DESCRIPTION:
BNC7T EDGE MOUNT DIE CAST STRAIGHT JACK

DWG. NO.
BNC7T-J-P-XX-ST-EMXD

BY: T. MEEK 11/17/2009 SHEET 1 OF 1