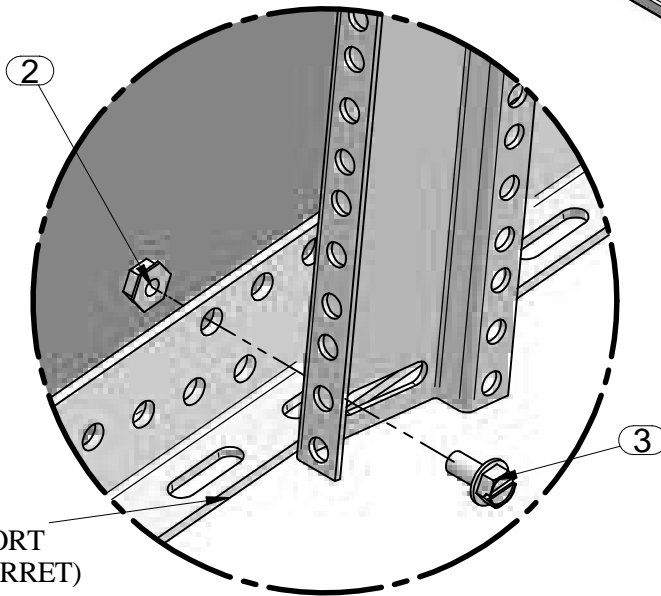
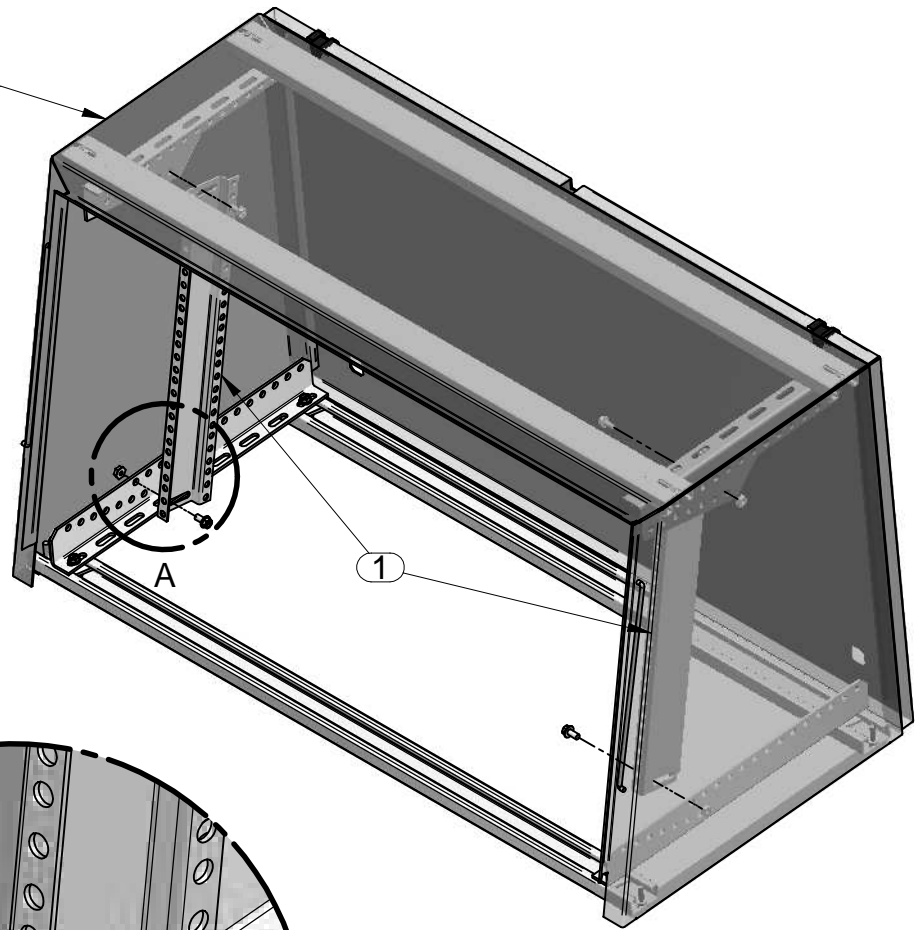


SERIES 2000 TURRET  
OR BASE UNIT



RAIL SUPPORT  
2CTRSK\_ (TURRET)  
OR  
2CBRSK (BASE)

DETAIL A

**ASSEMBLY INSTRUCTIONS:**

- A) After mounting the rail support kit. Place the combination rail (item 1) onto the top and bottom rail supports to suit application.
- B) Using 1/4-20 hex screws and KEP nuts (item 2 & 3) tighten the combination rails down securely.

**PARTS LIST**

ITEM No.	DESCRIPTION	QTY
1	COMBINATION RAIL	2
2	1/4-20 KEP NUT	4
3	1/4-20 X 3/4 HEX SCREW	4

TOOL BOX



3/8, 7/16" Socket  
Wrench



3/8, 7/16 Open  
Wrench

