

# DT

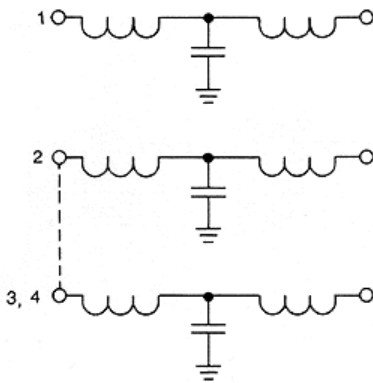
## MULTI CHANNEL DC FILTER

### FEATURES

- » **Rated currents** include **6A**
- » Provide independent multiple t section filters for use with multiple voltage DC power and/or control lines
- » Available with **QD** (tabs) and **S** (studs) option
- » Y-cap value can be adjusted to fit specification

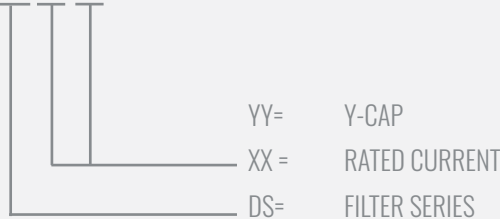


### ELECTRICAL SCHEMATIC



### HOW TO ORDER

DT XX YY



**NOTE:** USE ANY COMBINATION OF -X (AMPS) WITH ANY -Y RATINGS  
E.G. **DT61**(6 AMPS, 1.0 $\mu$ F Y-CAP)

### SPECIFICATIONS

**MAX. OPERATING VOLTAGE** 60VDC +10%  
**TERMINALS (-T)** QD: 0.25 TABS/  
STUDS: 8-32 (6A)

**TYP. WEIGHT, LBS (KG)** 0.62 (0.28)

**LEAKAGE CURRENT**  
@ 250 VAC 60 Hz

**HIPOT RATINGS**  
**LINE TO GROUND** 200 VDC

### TYPICAL APPLICATIONS

- ✓ High power rectifiers
- ✓ Uninterrupted power supplies
- ✓ Inverters
- ✓ VFD
- ✓ PWM

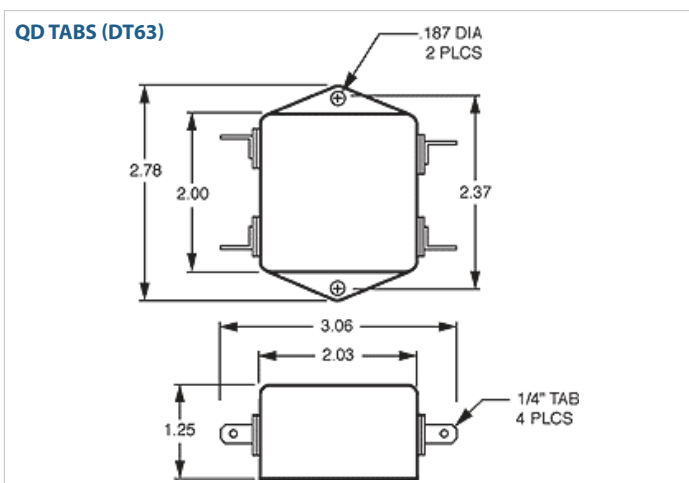
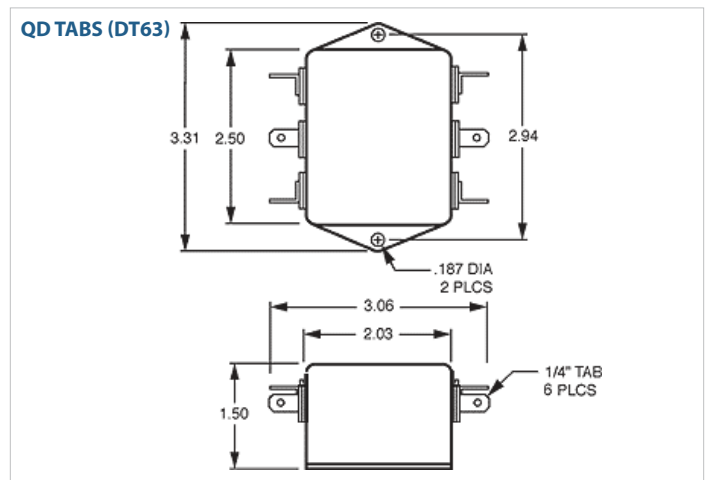
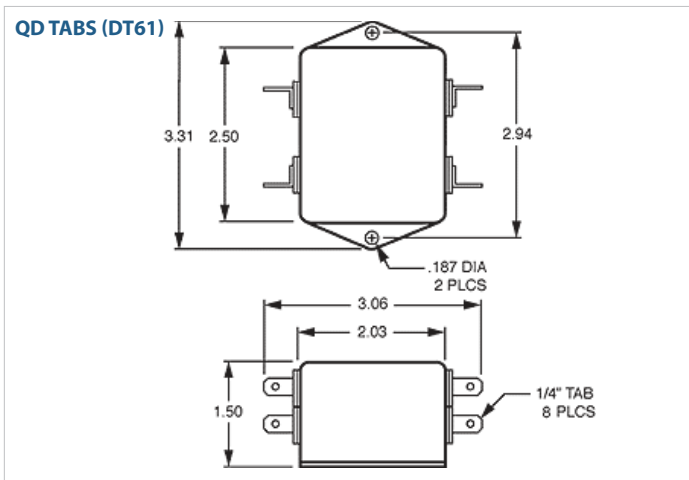
# DT

## MULTI CHANNEL DC FILTER

MODEL NO.	RATED CURRENT (A) @ 40° C	Y-CAP, nF	LEAKAGE CURRENT, mA @ 250V AC, 60 Hz	TERMINAL OPTIONS			MAX. DIMENSIONS" (MM)		
				(QD) INPUT/ OUTPUT	(S) INPUT/ OUTPUT	(C) INPUT/ OUTPUT	WIDTH	(LENGTH)	HEIGHT
DT61	6	1.0μF	*	✓			2.78"	3.23"	1.25"
DT61 S	6	1.0μF	*		✓		2.78"	3.29"	1.25"
DT62	6	2x1.0μF	*	✓			2.78"	3.23"	1.25"
DT63	6	3x1.0μF	*	✓			3.31"	3.23"	1.5"
DT64	6	4x1.0μF	*	✓			3.19"	3.67"	1.78"

\*Contact factory for part data.

### DT MECHANICAL OUTLINES (MM)



TYPICAL TOLERANCE: +/-0.02" (0.50MM)

# DT

## MULTI CHANNEL DC FILTER

### TYPICAL INSERTION LOSS, dB (50/50 Ohm)

Amps	Freq (MHz)	0.15	0.5	1.0	10	30
6	CM (dB)	*	*	*	*	*
	DM (dB)	27	50	46	64	73

\*Contact factory for part data.



# DT

## MULTI CHANNEL DC FILTER