

RONDA-WWW-B

~90° very wide beam with holder B compatible with 3rd party connectors from BJB, IDEAL and Stucchi.

SPECIFICATION:

Dimensions	Ø 69.9 mm
Height	14.6 mm
Fastening	screw
ROHS compliant	yes ⓘ



MATERIALS:

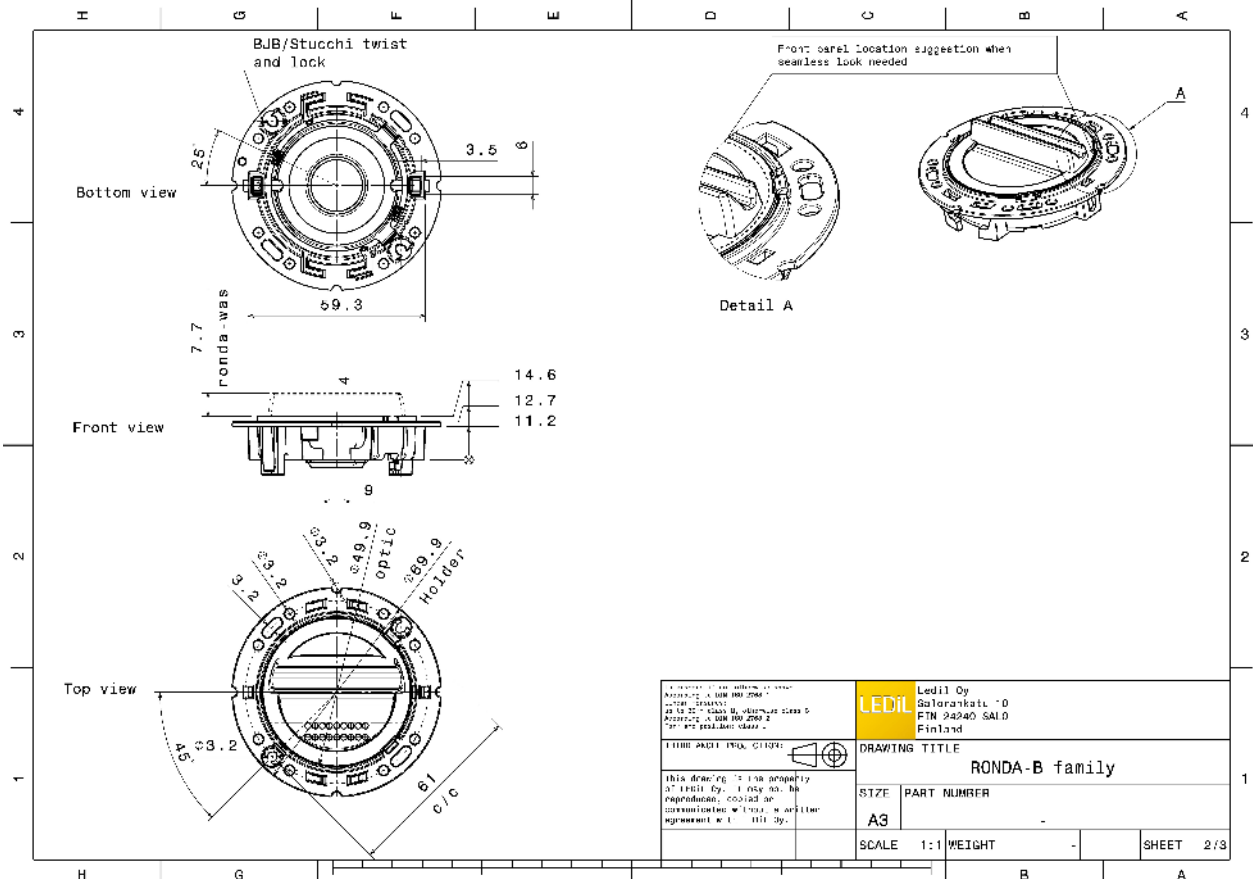
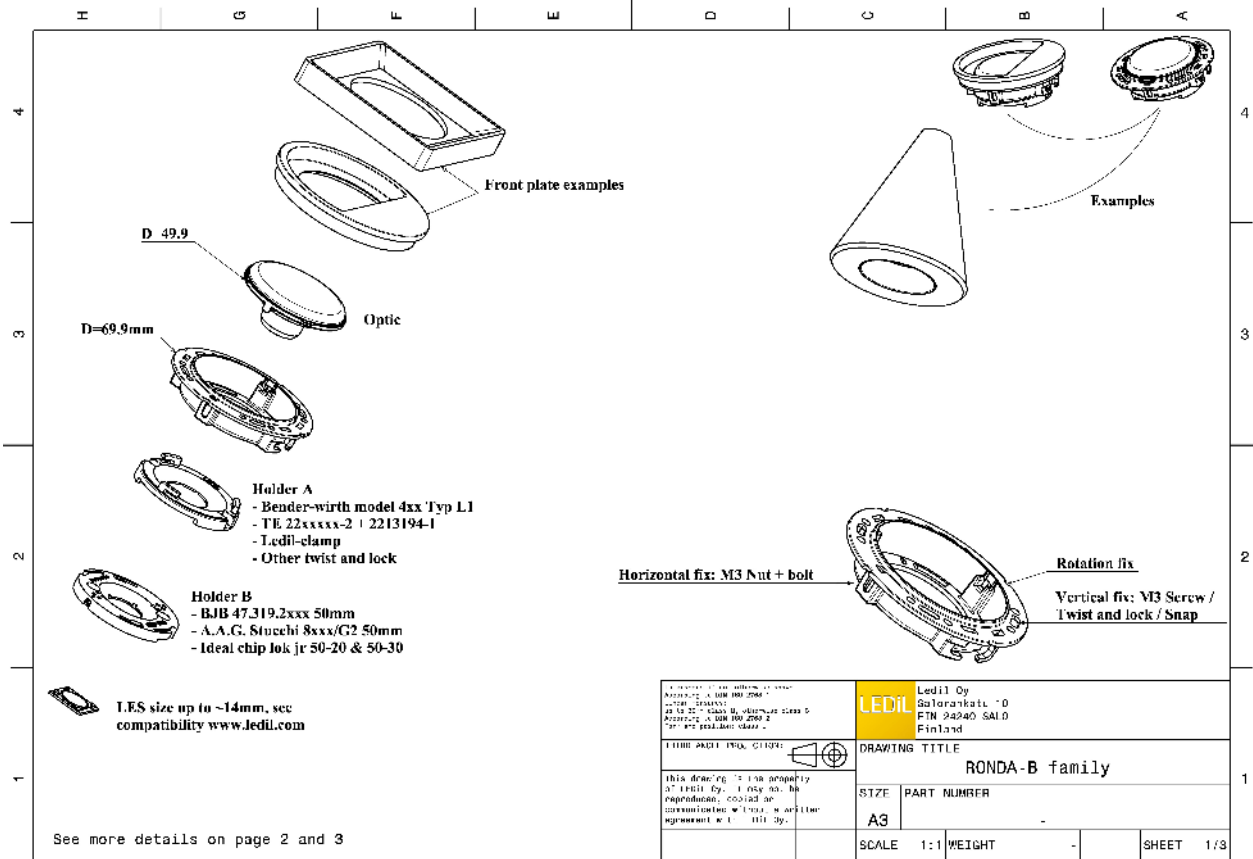
Component	Type	Material	Colour	Finish
F15157_RONDA-WWW	Single lens	PMMA	clear	
F15586_RONDA-HLD-B	Holder	PC	white	

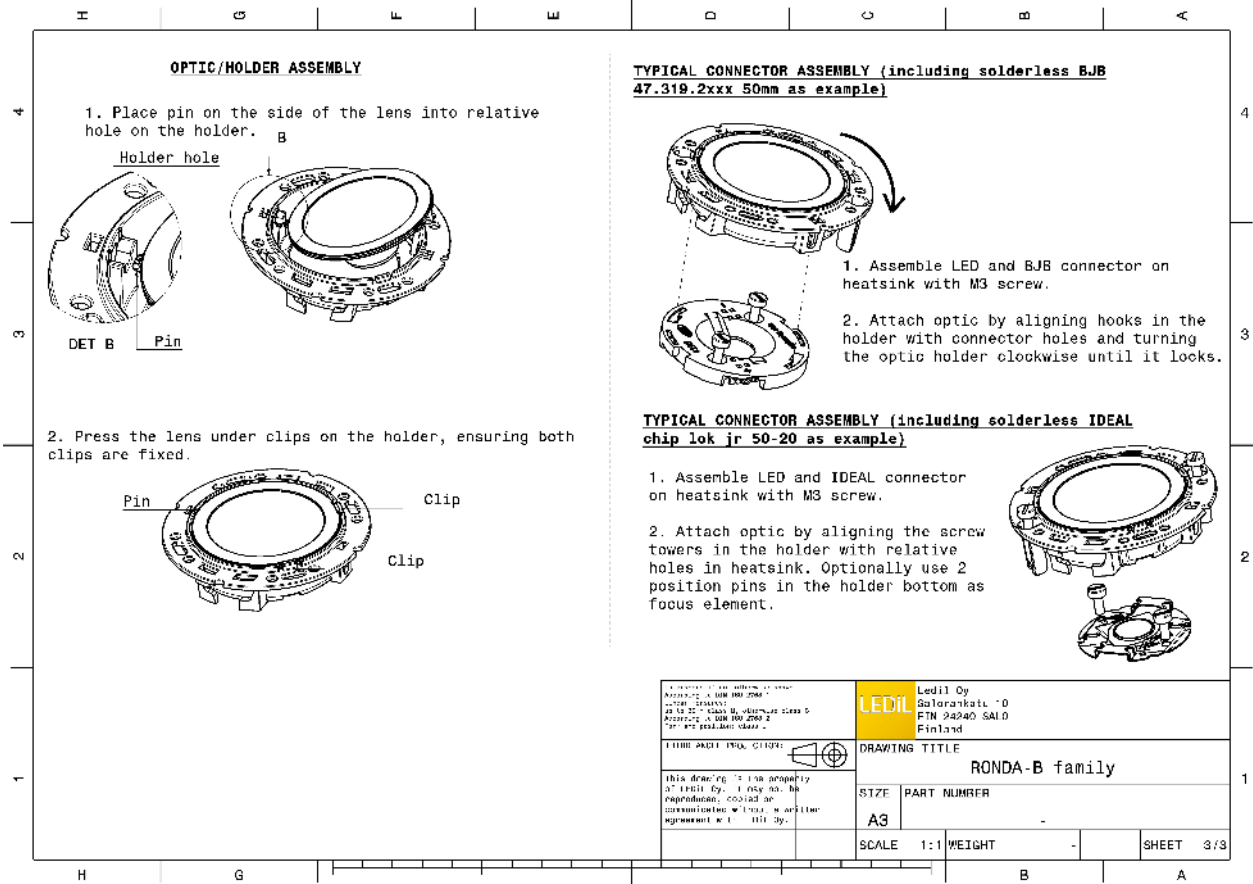
ORDERING INFORMATION:

Quantities for one set:

Single lens	1
Holder	1

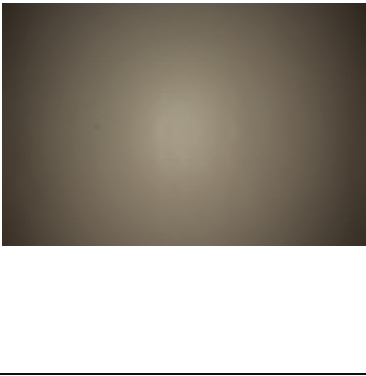
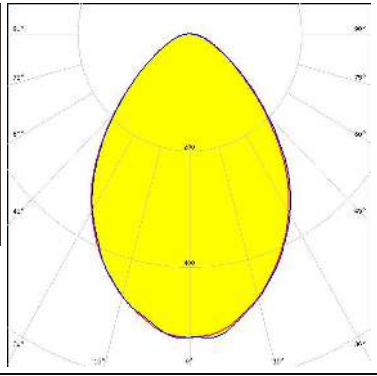
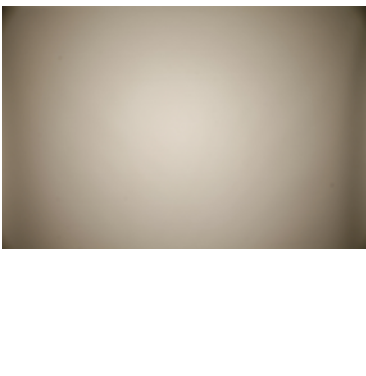
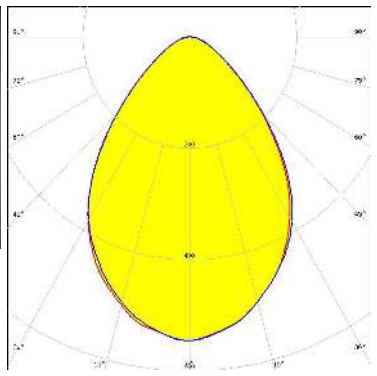
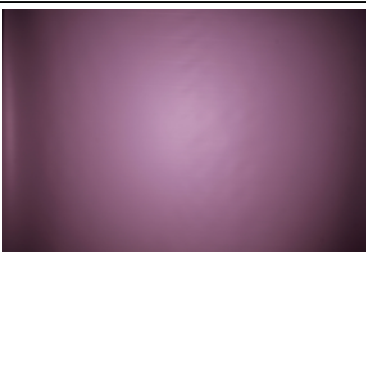
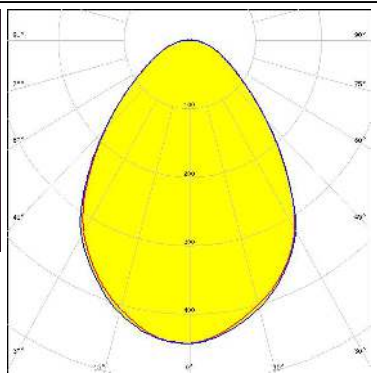
Component		Qty in box	MOQ	MPQ	Box weight (kg)
F15157_RONDA-WWW » Box size: 480 x 280 x 300 mm	Single lens	420	120	30	6.3
F15586_RONDA-HLD-B » Box size: 480 x 280 x 300 mm	Holder	420	120	30	4.4





See also our general installation guide: www.ledil.com/installation_guide

OPTICAL RESULTS (MEASURED):

<p>bridgelux</p> <p>LED V13 Gen7 FWHM / FWTM 78.0° / 129.0° Efficiency 88 % Peak intensity 0.5 cd/lm LEDs/each optic 1 Light colour White Required components:</p>		
<p>CREE LEDs</p> <p>LED CXA/B 1816 & CXA/B 1820 & CXA 1850 FWHM / FWTM 77.0° / 124.0° Efficiency 89 % Peak intensity 0.6 cd/lm LEDs/each optic 1 Light colour White Required components: BJB: 47.319.2131</p>		
<p>PHILIPS</p> <p>LED Fortimo SLM L19 + SLM holder FWHM / FWTM 81.0° / 139.0° Efficiency 82 % Peak intensity 0.4 cd/lm LEDs/each optic 1 Light colour White Required components:</p>		

OPTICAL RESULTS (SIMULATED):

bridgelux.

LED	H12
FWHM / FWTM	80.0°
Efficiency	%
LEDs/each optic	1
Light colour	White
Required components:	
	BJB: 47.319.2131

bridgelux.

LED	V10 Gen7
FWHM / FWTM	90.0° / 127.0°
Efficiency	82 %
Peak intensity	0.4 cd/lm
LEDs/each optic	1
Light colour	White
Required components:	
	IDEAL: 50-2002CT

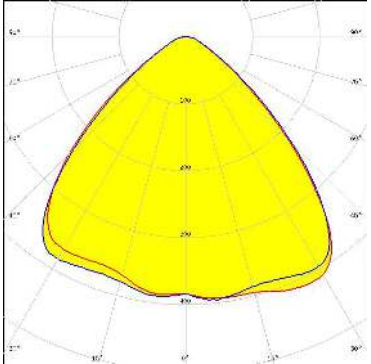


CITIZEN

LED	CLL02x/CLU02x (LES10)
FWHM / FWTM	90.0°
Efficiency	%
LEDs/each optic	1
Light colour	White
Required components:	
	IDEAL: 50-2002CT

CREE
LEDs

LED	CXA/B 15xx
FWHM / FWTM	90.0°
Efficiency	%
LEDs/each optic	1
Light colour	White
Required components:	
	IDEAL: 50-2000CR



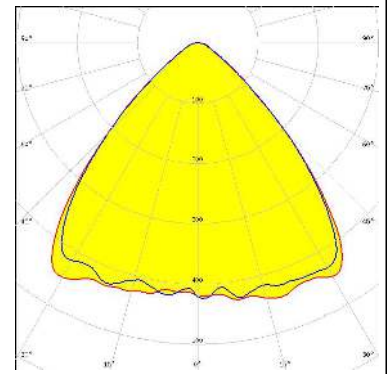
OPTICAL RESULTS (SIMULATED):



LED CXA/B 1816 & CXA/B 1820 & CXA 1850
FWHM / FWTM 90.0°
Efficiency %
LEDs/each optic 1
Light colour White
Required components:
IDEAL: 50-3001CR



LED Mini Zenigata (GW6BM)
FWHM / FWTM 88.0°
Efficiency %
LEDs/each optic 1
Light colour White
Required components:
IDEAL: 50-2000P



GENERAL INFORMATION:

NOTE: The typical beam angle will be changed by different color, chip size and chip position tolerance. The typical total beam angle is the full angle measured where the luminous intensity is half of the peak value.

Due to use of high power COB's with this product, special attention to proper thermal design is highly recommended. LEDiL has no liability for direct, indirect or consecutive damages arising from the LEDiL products being used outside of the recommended temperature range.

MATERIALS:

As part of our continuous research and improvement processes, and to ensure the best possible quality and availability of our products, LEDiL reserves the right to change material grades without notice.

PRODUCT DATA USER AGREEMENT AND DISCLAIMER:

The measured data in the provided downloadable LEDiL Product Datasheets and Mechanical 2D-Drawings is rounded and provided as reference for planning. LEDiL Oy's optical specifications have been verified by conducting performance testing of the products in accordance with the company's quality system. The reported data are averaged results of multiple measurements with typical variation. LEDiL Oy reserves the right to without prior notification make changes and improvements to its products.

LEDiL Oy assumes neither warranty, nor guarantee nor any other liability of any kind for the contents and correctness of the provided data. The provided data has been generated with highest diligence but the provided data may in reality not represent the complete possible variation range of all intrinsic parameters. Therefore, in certain cases a deviation from the provided data could occur.

LEDiL Oy reserves the right to undertake technical changes of its products without further notification which could lead to changes in the provided data. LEDiL Oy assumes no liability of any kind for the possible deviation from any provided data or any other damage resulting from the usage of the provided data.

The user agrees to this disclaimer and user agreement with the download or usage of the provided files.

LEDiL Oy

Joensuunkatu 13
FI-24240 SALO
Finland

LEDiL Inc.

228 West Page Street
Suite D
Sycamore IL 60178
USA

Ledil Optics Technology (Shenzhen) Co., Ltd.

405 , Block B
Casic Motor Building
Shenzhen 518057
P.R.CHINA

Local sales and technical support

[www.ledil.com/
where_to_buy](http://www.ledil.com/where_to_buy)

Shipping locations

Salo, Finland
Hong Kong, China

Distribution Partners

[www.ledil.com/
where_to_buy](http://www.ledil.com/where_to_buy)