



Since 1959

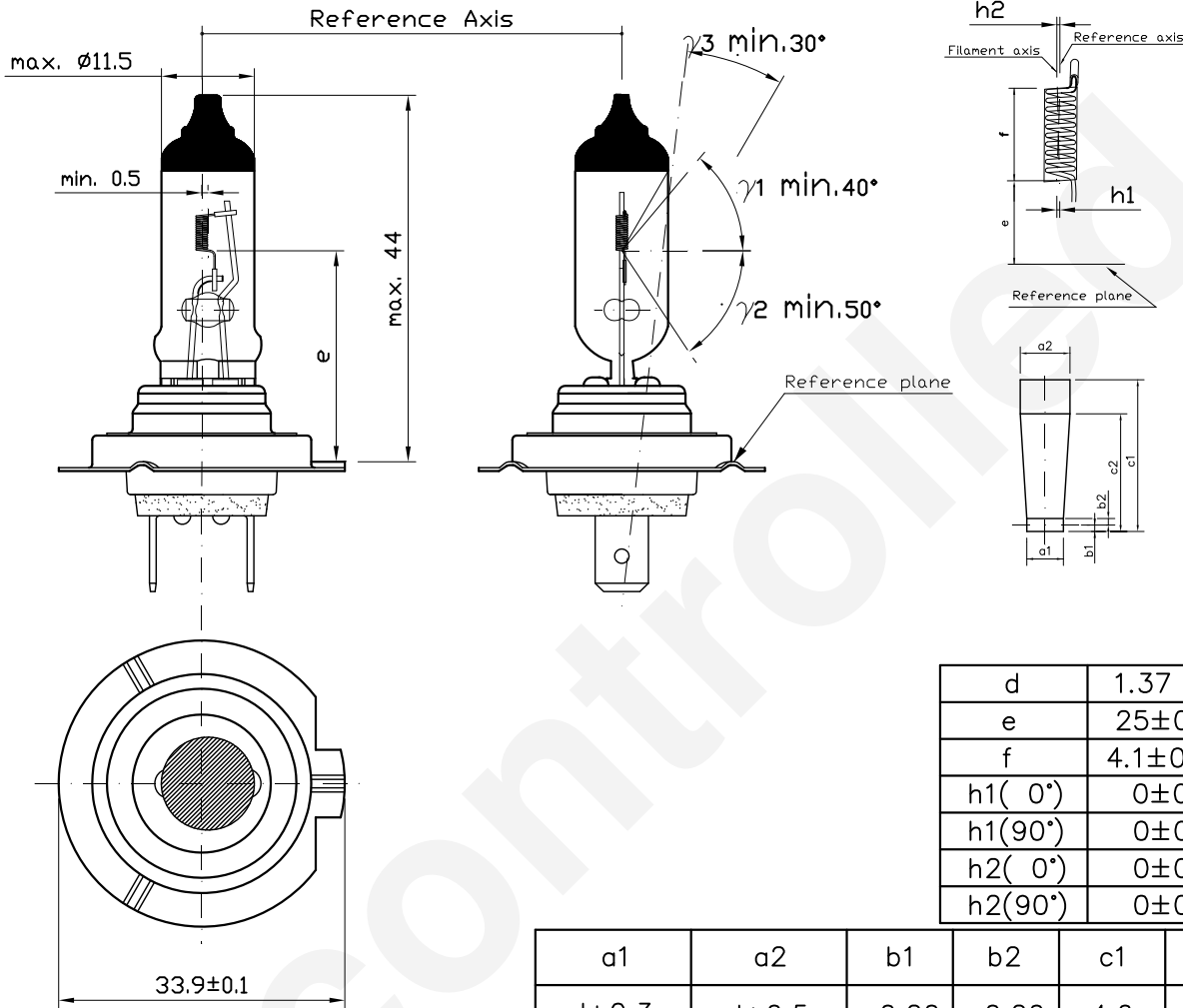
Product Information Sheet

H7 LL 12V 55W

H7 55W LL

2012. 07. 10 NEW

2012. 02. 16 OLD



d	1.37 nom
e	25±0.20
f	4.1±0.2
h1( 0°)	0±0.15
h1(90°)	0±0.15
h2( 0°)	0±0.25
h2(90°)	0±0.25

a1	a2	b1	b2	c1	c2
d+0.3	d+0.5	0.20	0.20	4.6	4.0

Halogen bulb  
H7 12V 55W Long Life  
Cap: <sup>1)</sup> PX26d  
Type: LL  
ECE R37 (E1) 2RA  
FMVSS108 DOT  
Bulb: UV-cut Quartz glass  
Made in Korea / INCHEON

1) according to IEC 61-1 sheet 7004-5-1

Technical data	R37	FMVSS108
Test voltage	13.2V	12.8V
Power	58W max.	55.6W max.
Luminous flux	1500lm±10%	1350lm ±12%
Lumen maintenance	85 % min	85 % min
Rated life:	at 13.2V	at 14.0V
-characteristic Tc	1000 h min	500h average
-B3	650 h min	200h min

Maximum operating temperature:	1: bulb 800°C max 2: pinch 400°C max
--------------------------------	---