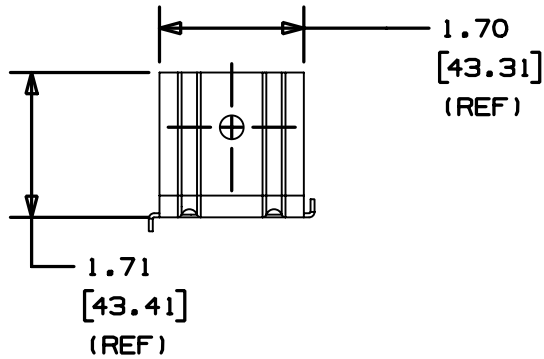


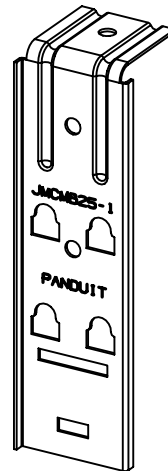
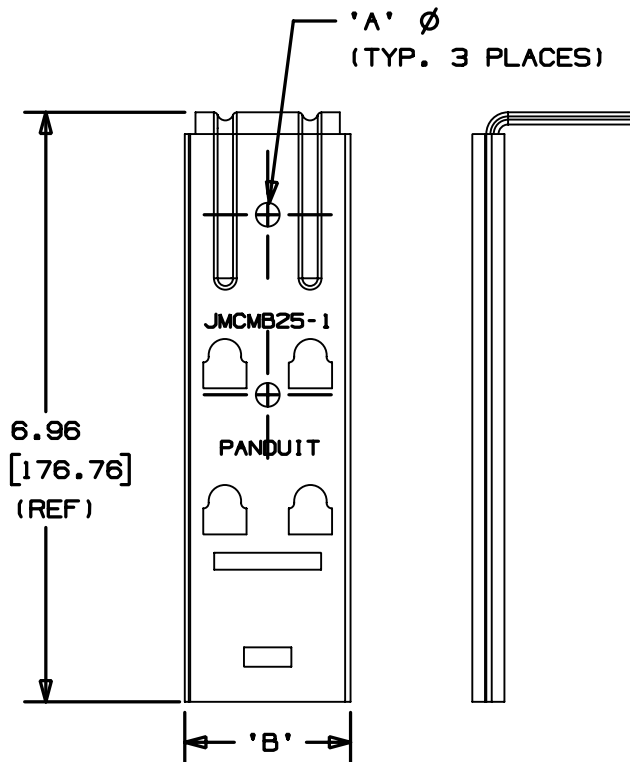
THIS COPY IS PROVIDED ON A RESTRICTED BASIS AND IS NOT TO BE USED IN ANY WAY DETRIMENTAL TO THE INTERESTS OF PANDUIT CORP.



| PANDUIT<br>PART NO. | DIMENSIONS     |                 | WEIGHT<br>lbs / 10<br>(g) / pcs |
|---------------------|----------------|-----------------|---------------------------------|
|                     | 'A'            | 'B'             |                                 |
| JMCMB25-1--         | 0.28<br>(7.14) | 1.96<br>(49.73) | 2.28<br>(1034)                  |

NOTES:

1. SEE CURRENT PRICE SHEET FOR PART NUMBER SUFFIX DESIGNATION FOR PACKAGE SIZE.
2. MATERIAL TO BE 18 Ga. (0.048") PRE-GALVANIZED STEEL.
3. RATED STATIC LOAD: 180 lbs. (81.65kg)
4. JMCMB25-1 IS DESIGNED TO RECEIVE THE JMCB CHAINING BRACKET FOR CABLE MANAGEMENT LEVEL EXTENSIONS. MAXIMUM RECOMMENDED LEVEL EXTENSIONS: 2.
5. TWO JMZH2 JHOOK PRODUCTS WILL MOUNT IN A BACK-TO-BACK CONFIGURATION TO THE JMCMB25-1.



|   |   |
|---|---|
| DIMENSIONS IN BRACKETS ARE METRIC [ mm ]  |   |
| CAD FILENAME/LAYERS G02672DH_PB_JMCMB251_00   |   |
| <b>PANDUIT</b> CORP. TINLEY PARK, ILLINOIS  |   |
| JMOD SINGLE LEVEL BRACKET (JMCMB25-1--)   |   |
| UNLESS OTHERWISE SPECIFIED, DIMENSIONAL TOLERANCES ARE:<br>(.X) ±0.05 (1.3) (.XXX) ±0.010 (0.25)<br>(.XX) ±0.02 (0.5) ANGLES ± 5° | UNLESS OTHERWISE SPECIFIED, ALL DIMENSIONS ARE GIVEN IN INCHES, THIRD ANGLE PROJECTION. |
| DRAWN BY JAD  | MAT'L: NONE   |
| DATE 3/7/03   | SEE NOTE 2  |
| CHK'D   | DWG NO. GB2672DH  |
|   | DWG SIZE A  |

| REV | DATE   | BY  | CHK | DESCRIPTION     | ECN      | R | CUST | SUP |
|-----|--------|-----|-----|-----------------|----------|---|------|-----|
| R   | 3/7/03 | JAD |     | INITIAL RELEASE | GB2672DH | R |      |     |