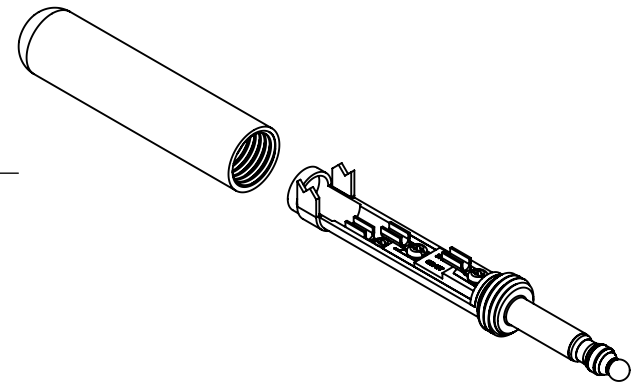
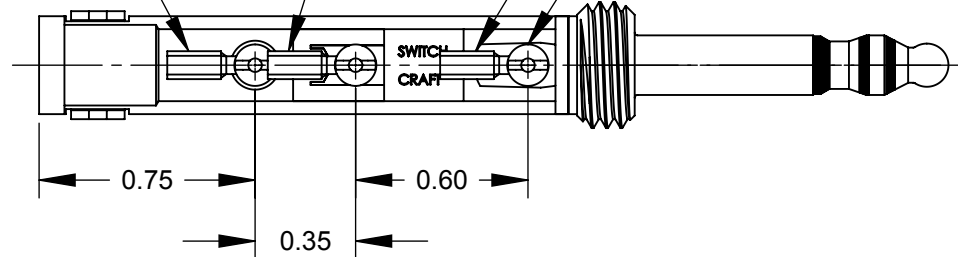


SLEEVE TERMINAL
SEE NOTE 1

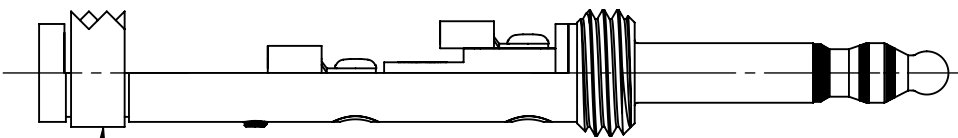
RING TERMINAL
SEE NOTE 1

TIP TERMINAL
SEE NOTE 1

SCREWS (3)
SEE NOTE 1

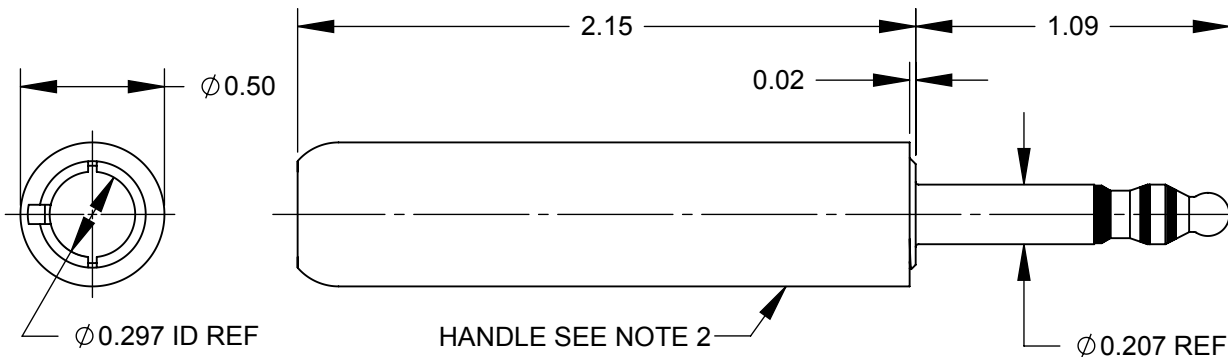


U CLAMP
SEE NOTE 1



NOTES

1. TERMINALS, SCREWS & U CLAMP ARE SHIPPED UNASSEMBLED AS K171X HARDWARE KIT.
2. HANDLE IS SHIPPED UNASSEMBLED.
3. MATERIALS:
PLUG - BRASS
U CLAMP - STEEL, TIN PLATED
TERMINALS - BRASS, TIN PLATED
SCREWS - BRASS
HANDLE & INSULATION - THERMOPLASTIC
4. THIS PRODUCT IS RoHS COMPLIANT.



CUSTOMER DRAWING

					THIS DRAWING DESCRIBES A DESIGN CONSIDERED PROPRIETARY IN NATURE, DEVELOPED AND MANUFACTURED BY SWITCHCRAFT INC. AND IS RELEASED ON A CONFIDENTIAL BASIS FOR IDENTIFICATION PURPOSES ONLY.				
					SIZE *	WIDTH *	MULT *	LBS/M *	TEMPER *
					FINISH *			MATERIAL *	
					SPEC No. *			SPEC No. *	
					FIRST USED ON *		SCALE 1.5:1		
A	26369	3-30-09	JEB	TJK	DATE DRAWN 3-19-09	BY SRC	CHKD SRC 3-19-09	APVD TJK 05-22-09	
REV	ECO NUMBER	DATE	BY	APVD	NAME PLUG ASSEMBLY, RoHS			SHEET 1 OF 1	
REVISIONS					DO NOT SCALE DRAWING				
					PART No. 480X			REV A	

SolidWorks CAD File

