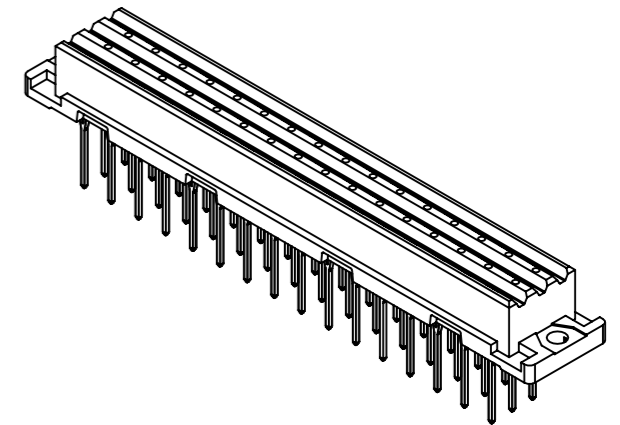
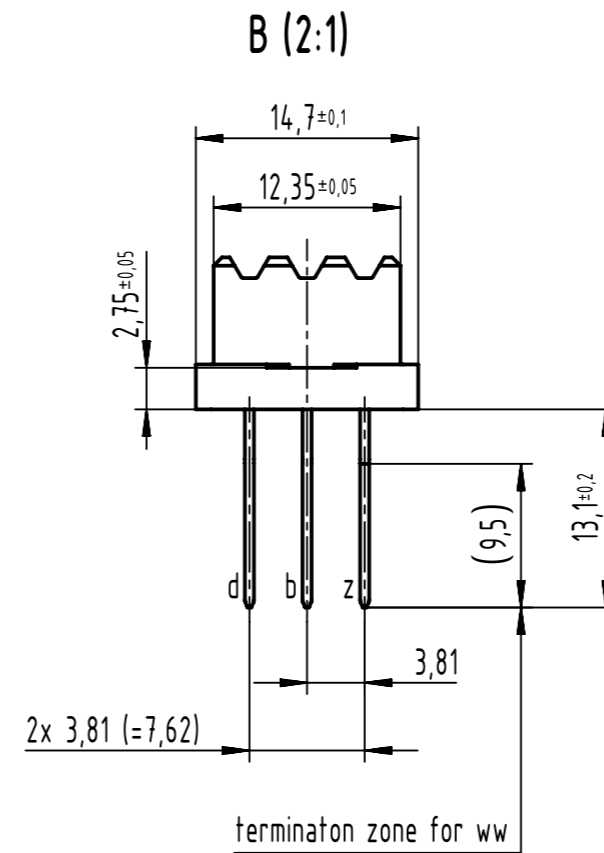
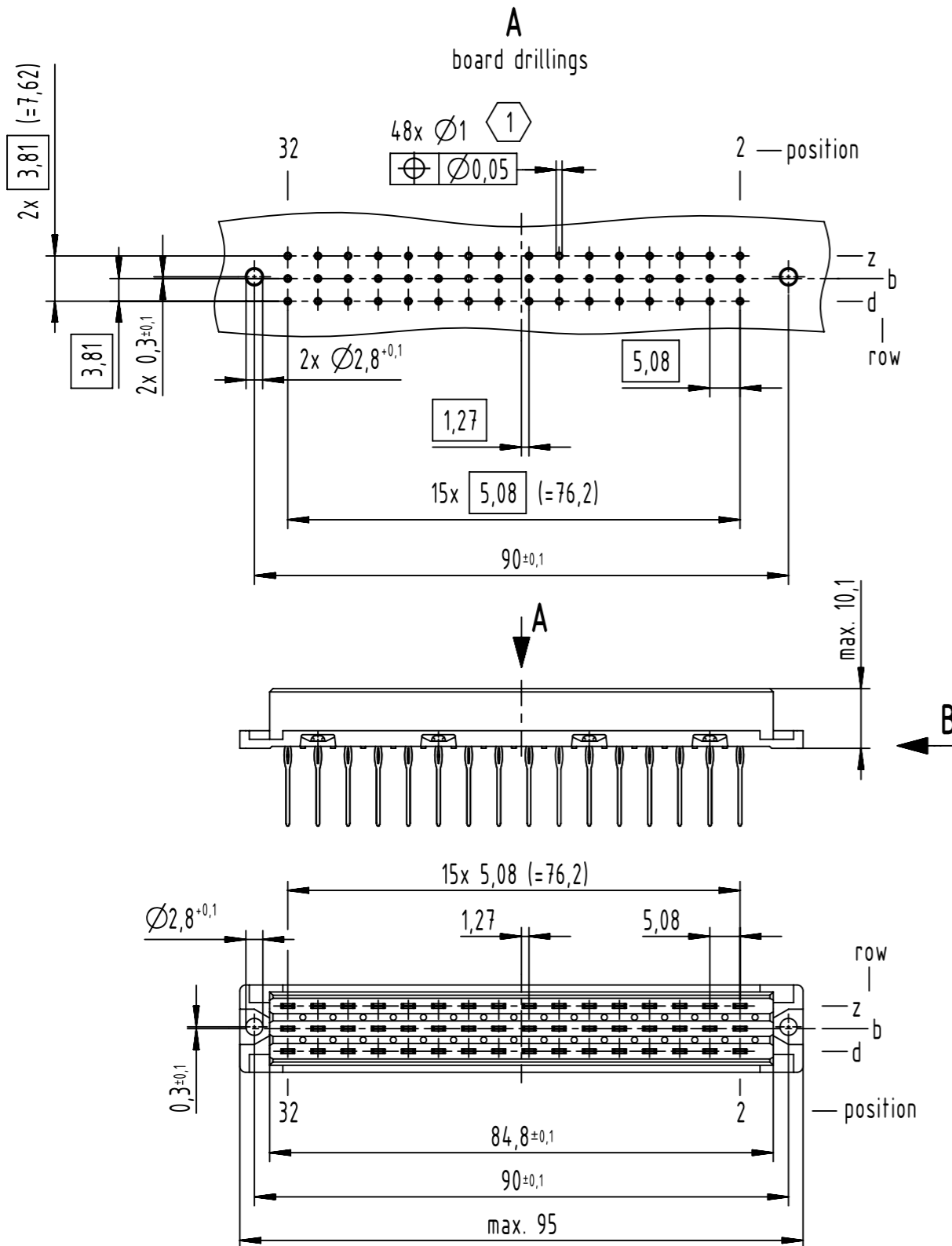


48 press-in contacts

☒ = press-in contact

□ = position without contact



09 06 248 5837 015	Au30
09 06 248 6837	2
09 06 248 2837	1
part no.	performance level

1 recommended configuration of plated through holes and further information see product data sheet

All Dimensions in mm Original Size DIN A3		Scale 1:1	Free size tol. complementary IEC 60603-2		Ref. Sub.
All rights reserved Department EL PD HARTING D-32339 Espelkamp	Created by STORCK	Inspected by LEHNERT	Standardisation 302077	Date 2021-04-13	State Final Release
	Title DIN Power type F low-profile female press-in 13.1				Doc-Key / ECM-Nr. 100102874/UGD/017/C 500000191610
Type TB		Number 0906248X837		Rev. C	Page 1/1