

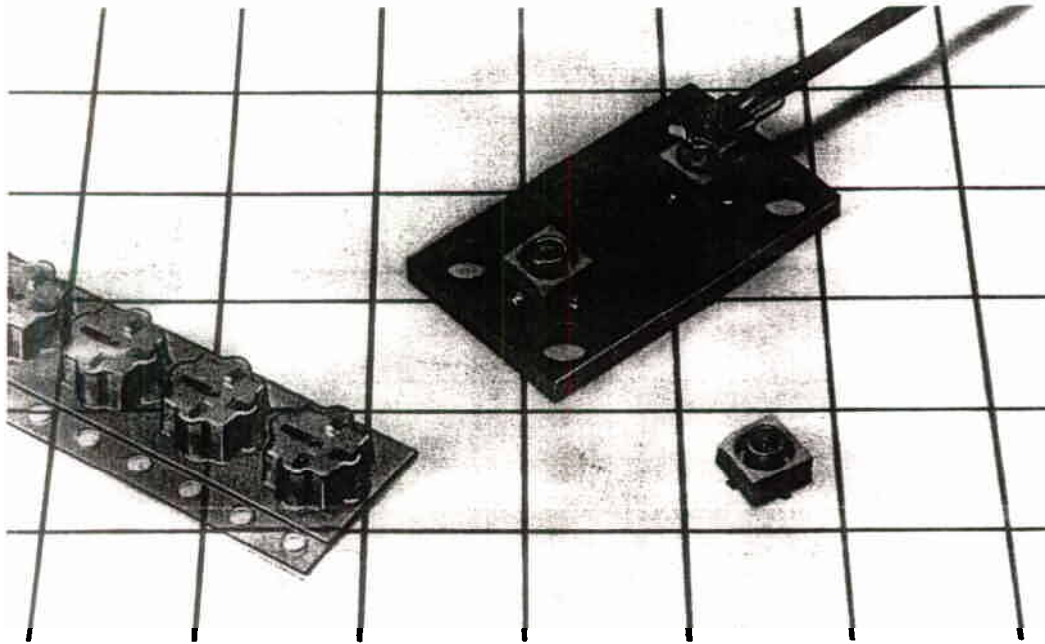


S.FL2 SERIES SUPER FL TYPE 2 COAXIAL CONNECTOR

■ OUTLINE

S.FL2 (Super FL Type 2 Coaxial Connector) Series is a Surface Mount, Low Profile, Miniature Coaxial Connector intended for high density packaging. Compared to HIROSE's FL series connectors, the S.FL2

Series offers a 50% reduced profile when assembled, achieving increased density of internal wiring for high frequency transmission applications.



■ LEADING FEATURES

- (1) Surface mounting type.
- (2) Low profile, up to 4.7mm from the printed circuit board surface when assembled.
- (3) Highly flexible
Offers high frequency performance below V.S.W.R 1.2 over 0-2000MHz range.
- (4) Cable to be used:
 - JUNFRON Coaxial Cable A12B0456-A (JUN-KO SHA make)
 - 0.7D-2W
- (5) Extraction jig permits easy extraction of connector.
- (6) Designed for application for automatic packaging. Embossment taping type is added to standard items.

■ APPLICATIONS

Pocket telephone, Car telephone, radio communications equipment, electronic measuring instruments, GPS, etc.

■ MATERIAL AND FINISH

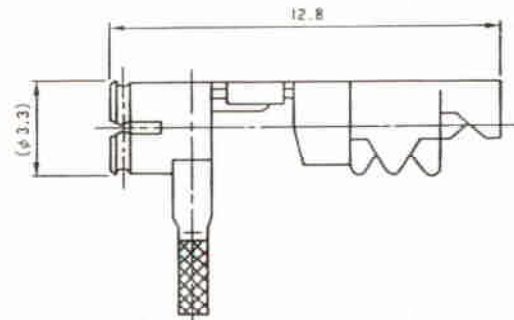
Parts Name	Material	Finish
Shell	Phosphor bronze	Silver plating
Male center contact	Phosphor bronze	Gold plating
Female center contact	Phosphor bronze	Gold plating
Insulator	Polyphenylene oxide and polyphenylene sulfide	

■ PERFORMANCE

Item	Standard
Characteristic impedance	50 Ω
Insulation resistance	500MΩ and above at DC250V
Contact resistance	20mΩ and under for the center, 10mΩ and under for outer contact at DC10A
Withstand voltage	1 min at AC250V (r.m.s.)
Mating force (Extraction force)	300gf~2kgf
Life of contact	50 times
Standing wave voltage ratio	1.2 and under up to 2000MHz DC

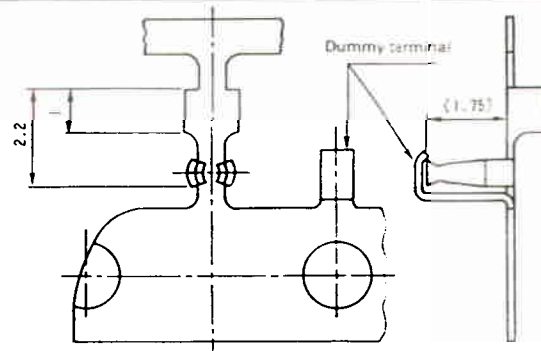
■ DIMENSIONS

HRS No.	Part Number	Applicable Cable
331-0201-5	S.FL2-LP-A12B0456-A	A12B0456-A



(Note) Offered by unit package (100 pieces)

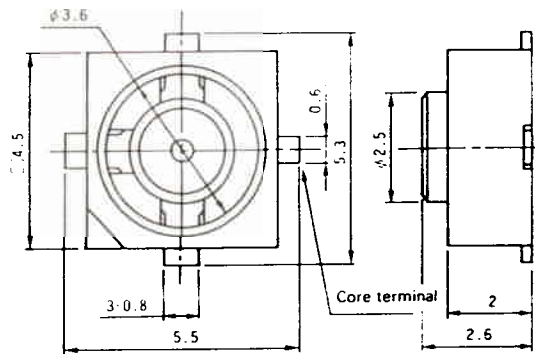
HRS No.	Part Number
331-0202-8	S.FL2-LP Female terminal



(Note) Offered by unit reel (10000 pieces)

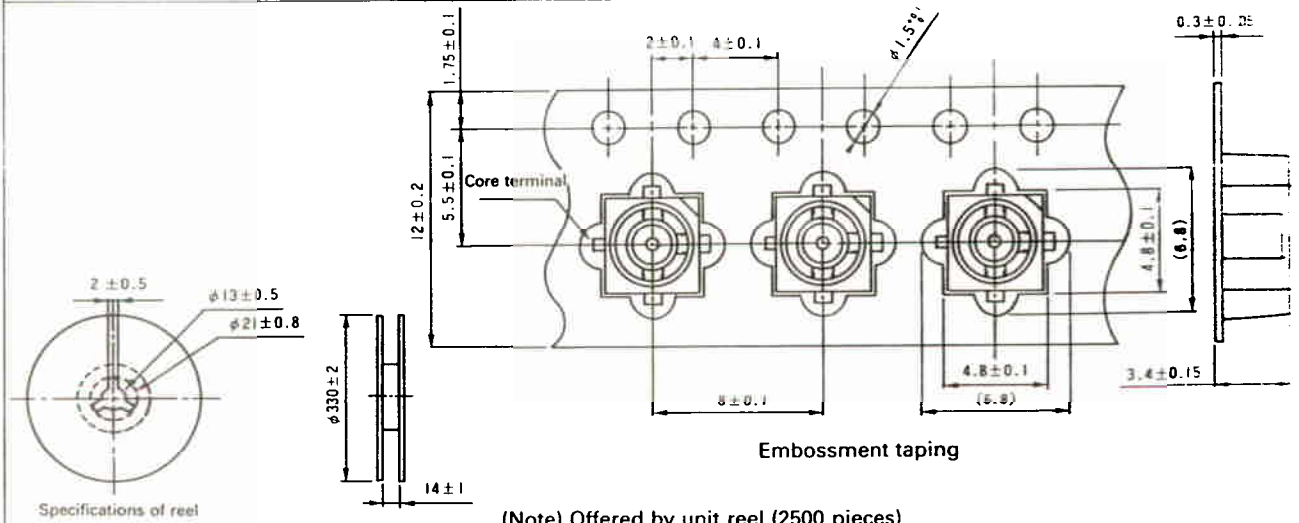
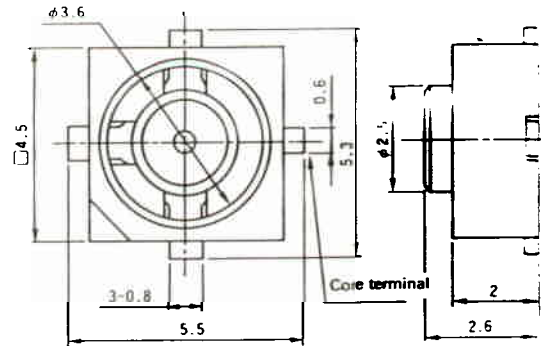
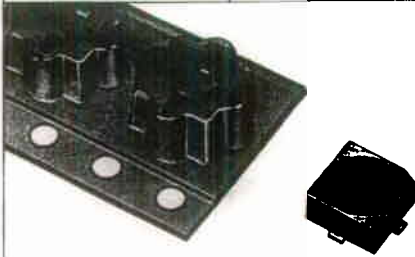
RECEPTACLE

HRS No.	Part Number
331-0301-0	S.FL2-R-SMT



(Note) Offered by unit package (100 pieces)

HRS No.	Part Number
331-0301-0-10	S.FL2-R-SMT (10)



Embossment taping

(Note) Offered by unit reel (2500 pieces)

(Note) ● Not interchangeable with HIROSE's S.FL Series.

● As for automatic packaging application, some specific equipment will require special nozzle, or cannot be used for some types of equipment.

○ Recommended PCB pattern

