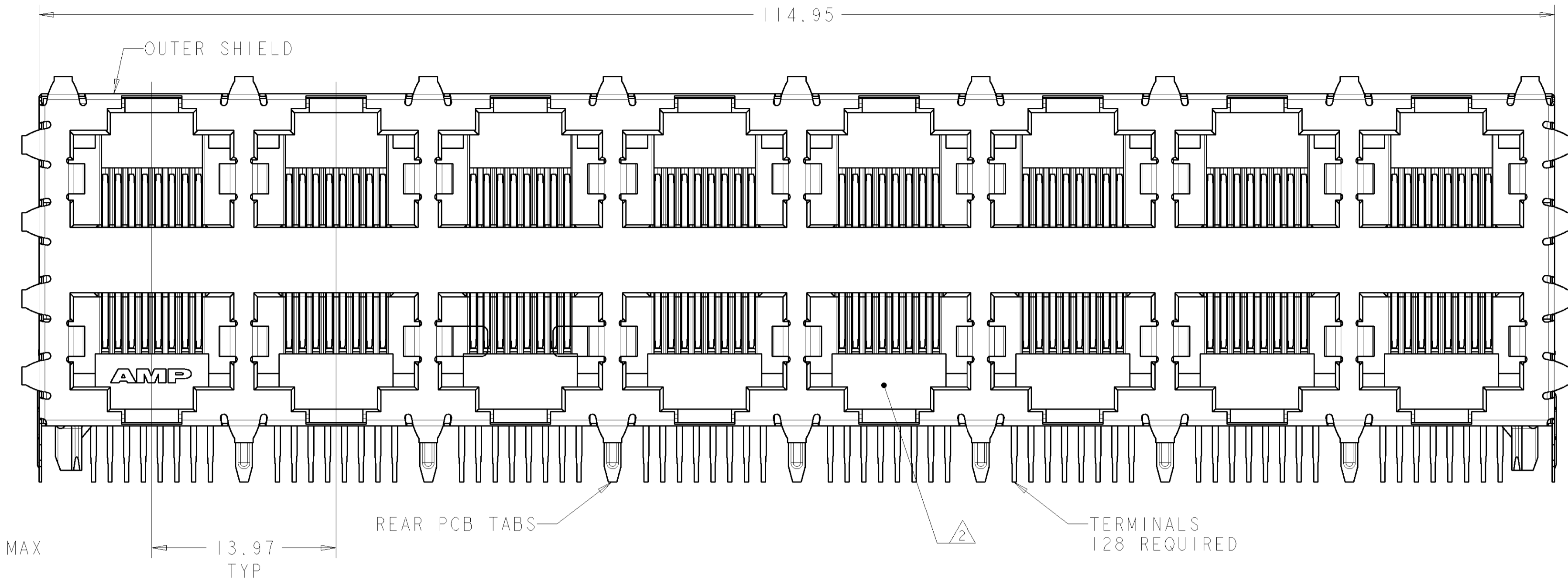
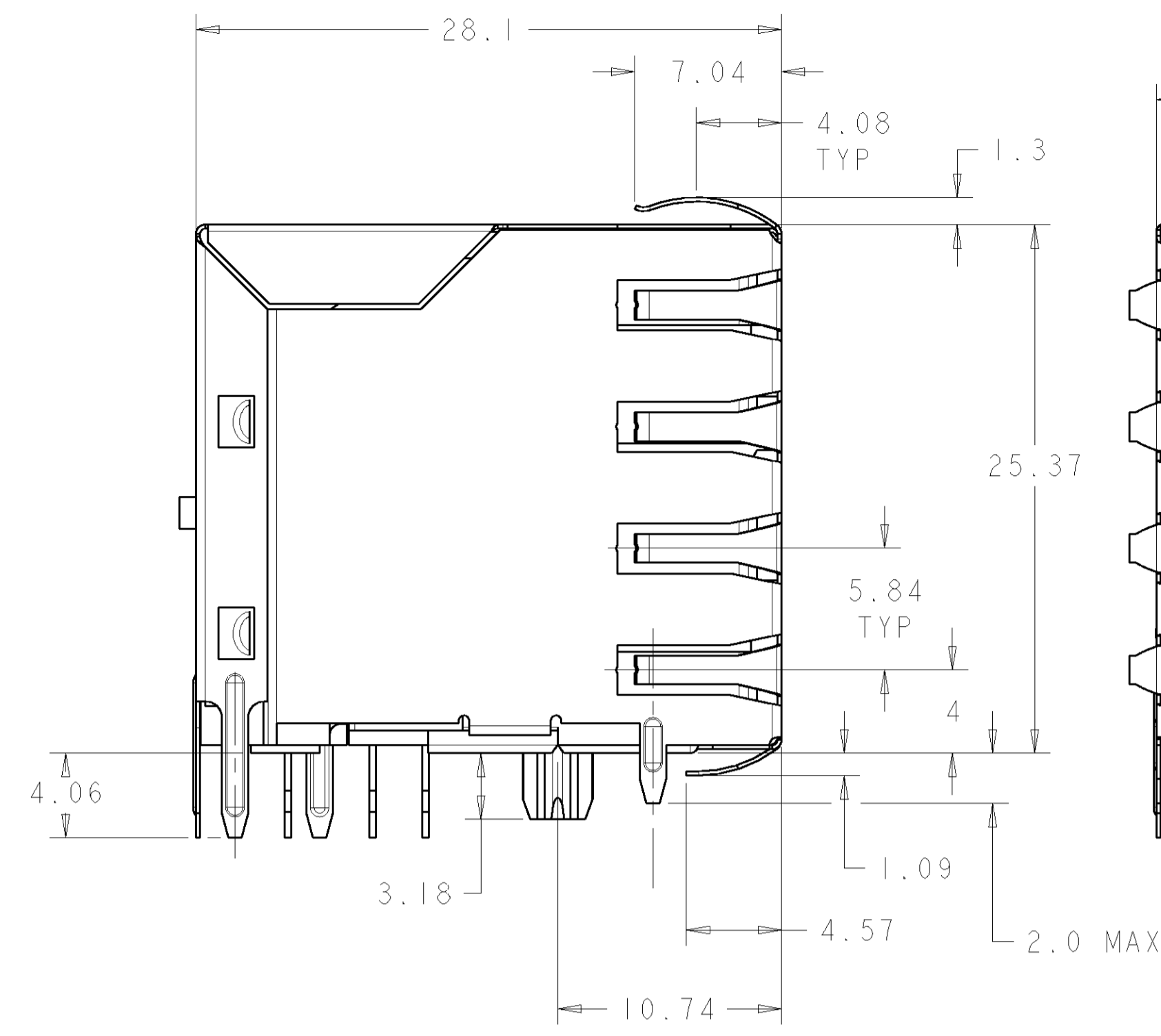
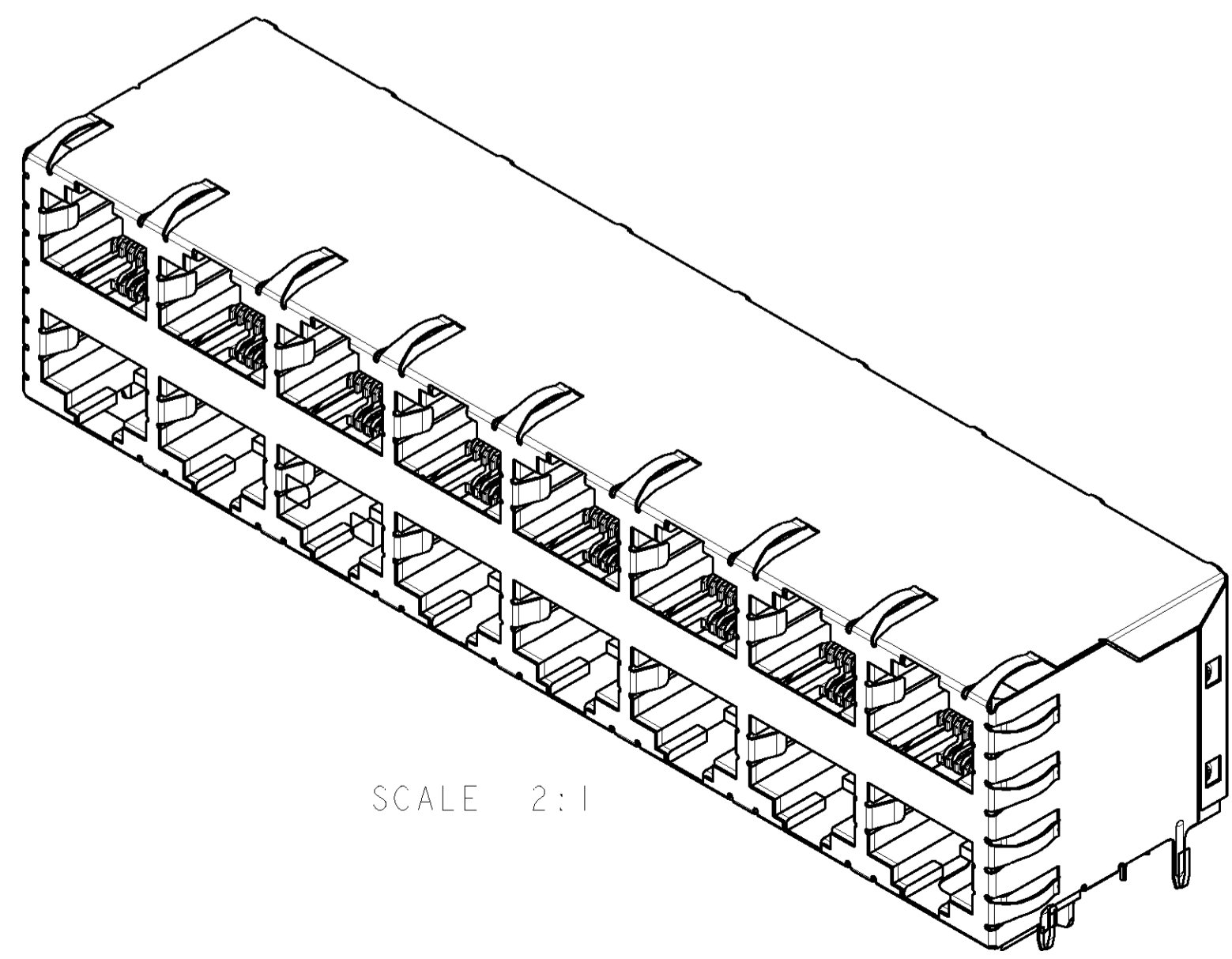
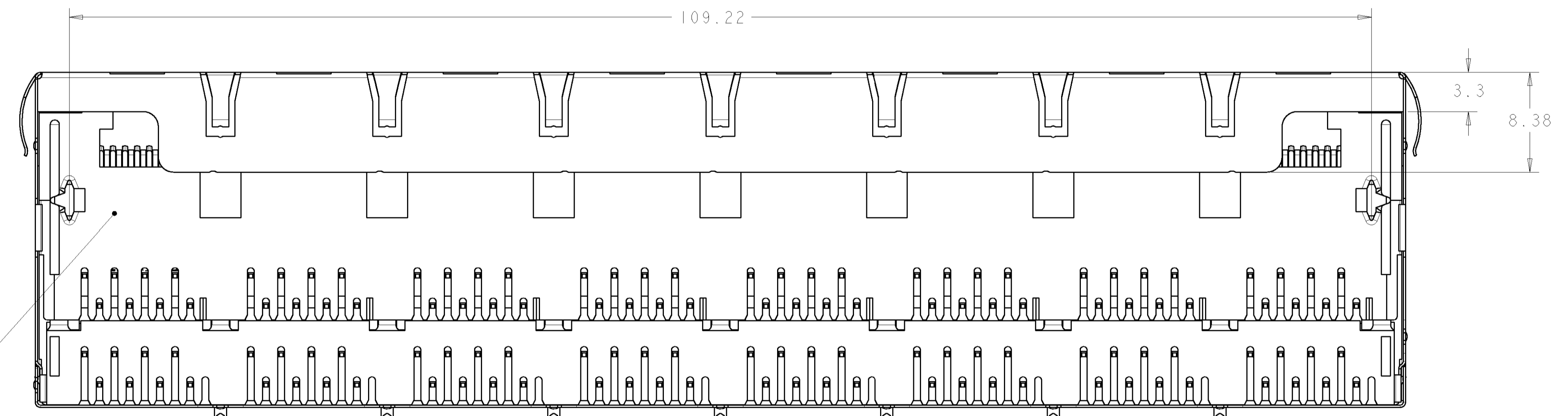


LOC	DIST	REVISIONS					
		P	LTR	DESCRIPTION	DATE	DRN	APVD
AA	22	A		REV PER ECOS11-0201-04	28JUL2005	AF	SF



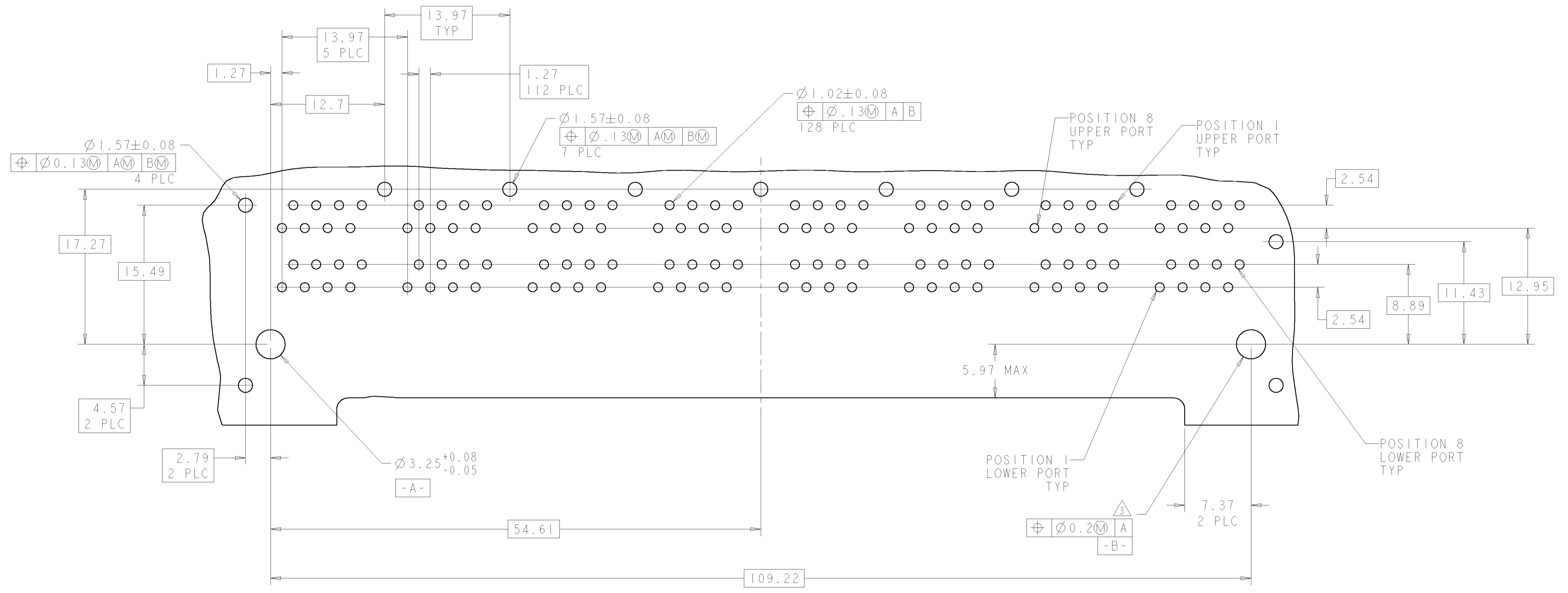
- 1. MATERIAL: HOUSING - PCT POLYESTER, BLACK, UL 94V-0  
 TERMINALS: 0.305 THICK PHOS BRONZE PLATED WITH 1.27µm MINIMUM THICK HARD GOLD IN LOCALIZED AREA AND 2µm MINIMUM THICK MATTE TIN IN SOLDER AREA OVER 1.27µm MINIMUM THICK NICKEL UNDERPLATE.  
 SHIELD - .196 THICK COPPER ALLOY PLATED WITH 1.27µm MINIMUM NICKEL AND 2.03µm MINIMUM HOT TIN DIP ON PCB GROUND TABS
- 2. JACK CAVITY CONFORMS TO FCC RULES AND REGULATIONS, PART 68 SUBPART F
- 3. USE #30 DRILL BIT OR 3.25mm DRILL BIT WHEN PRODUCING THESE PCB HOLES
- 4. RECOMMENDED APPLICATIONS: FAST ETHERNET, 10 BASE-T ETHERNET, AND 10/100 BASE-T ETHERNET (CAT 5 TWO PAIR 1/2, 3/6)



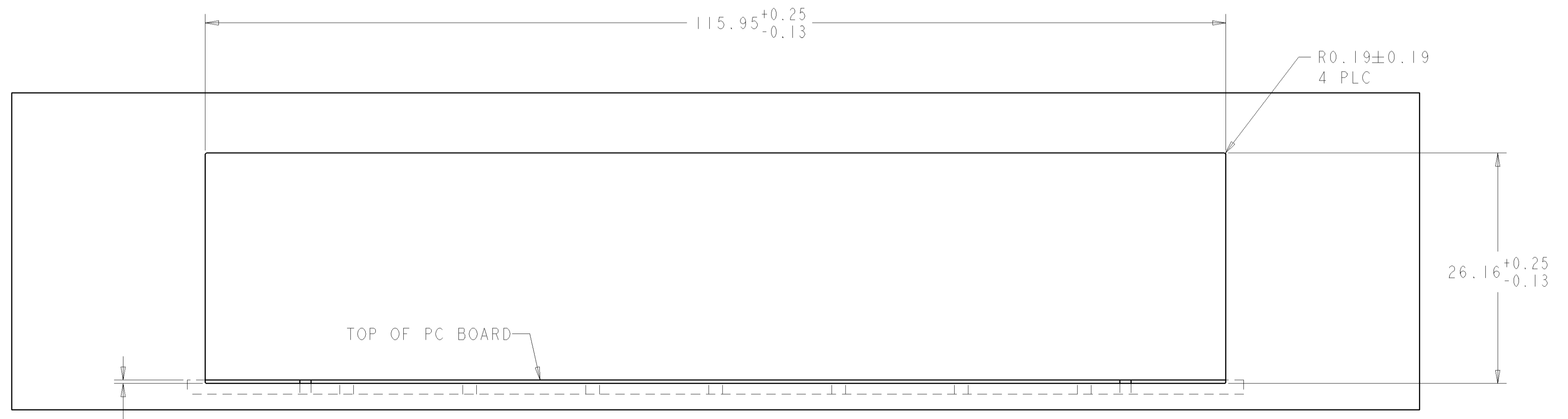
7	6368296-1
NUMBER OF REAR PCB TABS	PART NUMBER

DIMENSIONS: mm TOLERANCES UNLESS OTHERWISE SPECIFIED: 0 PLC ±.25 1 PLC ±.25 2 PLC ±.25 3 PLC ±.25 4 PLC ±.25 ANGLES ±.5		DRN: A. FERNANDEZ - 28 JUL 2005 CHK: J. WESTMAN - 28 JUL 2005 APVD: S. FLICKINGER - 28 JUL 2005 PRODUCT SPEC: 108-1163-9 APPLICATION SPEC: 114-2048 WEIGHT: - CUSTOMER DRAWING	TYCO Electronics Harrisburg, PA 17105-3608 NAME: 2X8 STACKED MODULAR JACK ASSEMBLY, 8 POSITION, SHIELDED, WAVE PANEL GROUND, 2.0 mm FRONT PCB GROUND TABS SIZE: CAGE CODE DRAWING NO: A100779 C=6368296 SCALE: 4:1 SHEET 1 OF 2 REV A
--	--	--	--

LOC	DIST	REV	DESCRIPTION	DATE	BY	APPD
AA	22		SEE SHEET 1			



**SUGGESTED PC BOARD LAYOUT**  
 VIEWED FROM COMPONENT SIDE  
 SCALE 4:1



**SUGGESTED PANEL CUTOUT DIMENSIONS**  
 SCALE 3:1

<small>THIS DRAWING IS UNPUBLISHED. RELEASED FOR PUBLICATION BY TYCO ELECTRONICS CORPORATION. ALL RIGHTS RESERVED.</small>		DWN: 28 JUL 2005 A. FERNANDEZ - DOCK 5 ENR: 28 JUL 2005 J. WESTMAN APPD: 28 JUL 2005 S. FLICKINGER	<b>tyco</b> Electronics TYCO Electronics Harrisburg, PA 17105-3608
DIMENSIONS: mm 	TOLERANCES UNLESS OTHERWISE SPECIFIED: 0 PLC ±.25 1 PLC ±.25 2 PLC ±.25 3 PLC ±.25 4 PLC ±.25 ANGLES ±.5	NAME: 2X8 STACKED MODULAR JACK ASSEMBLY, 8 POSITION, SHIELDED, WAVE PANEL PRODUCT SPEC: 108-1163-9 APPLICATION SPEC: 114-2048 WEIGHT: - CUSTOMER DRAWING	SIZE: A   00779   C=6368296 SCALE: 4:1 SHEET 2 OF 2 REV A