

6

5

4

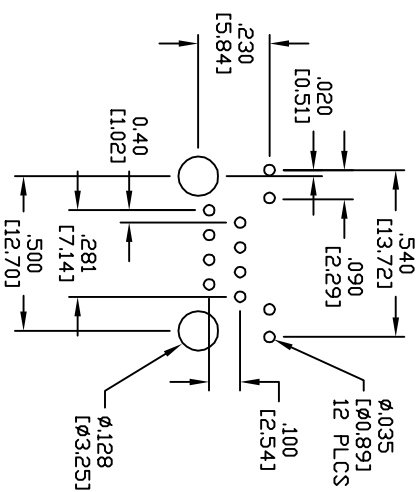
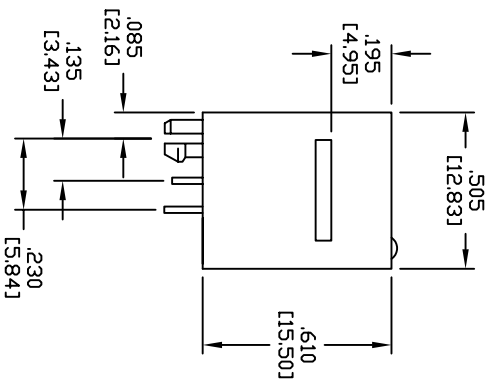
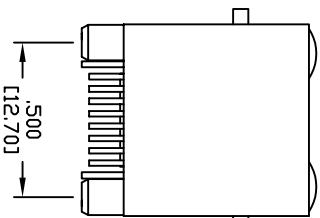
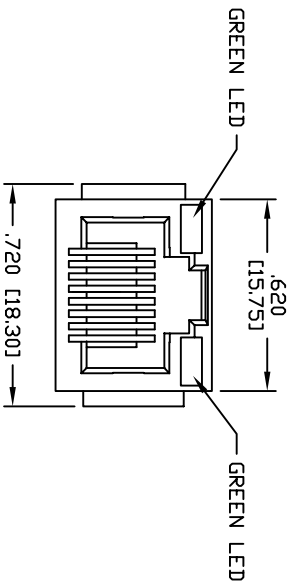
3

2

1

APPROVED: _____
 DATE: _____ TITLE: _____

Rev	AWO #	Description	Date	Appr
-		RELEASED	10/4/04	
A		ADDED LED SPECS	9/7/05	
B		ADDED LED WAVE LENGTH	9/23/05	



RECOMMENDED
PCB LAYOUT

X	PLATING
0	15 μ m Gold
1	30 μ m Gold
2	50 μ m Gold

SPECIFICATIONS:

Material:

Insulator: Nylon, rated UL 94V-0

Insulator color: Black

Contacts: Phosphor Bronze

Shield: Phosphor Bronze, tin plated

Plating:

Gold over Nickel underplate on contact area, Tin over Copper underplate on SMT tails

Electrical:

Operating voltage: 150 VAC max

Current rating: 1.5 Amps max

Contact resistance: 20 mohms max

Insulation resistance: 500 Mohms min @ 500 VDC

Dielectric withstanding voltage: 1000 VAC for 1 minute

LED:

Forward Voltage: 2.2 Volts typ.

Reverse Voltage: 5.0 Volts min.

Luminous Intensity: 12 mCd common @ IF=20ma

Main Wave Length: 565nm

Lead Soldering Temp: 260 \pm 5°C for 5 seconds

Temperature Rating:

Operating temperature: -40°C to +125°C

Environmental:

Lead free, RoHS compliant.

Recommended soldering temp: 260 for 5 sec.



ADAM TECH

909 Railway Avenue, Union, NJ 07083
 Phone: 908-687-5000 Fax: 908-687-5710

MODULAR TELEPHONE JACK, 8P8C
 VERTICAL PCB, GREEN LEDS

UNLESS OTHERWISE SPECIFIED ALL DIMENSIONS ARE INCHES [MM]		TOLERANCES EXCEPT AS NOTED INCHES		HOLE SIZES		DATE	
.X	$\pm .10$	ϕ XX	$\pm .10$				
.XX	$\pm .020$	ϕ XXX	$\pm .015$				
.XXX	$\pm .015$	ϕ XXXX	$\pm .010$				
DRAWN				SS		10/4/04	
CHECKED							
APPROVED							
TITLE		SIZE		PART NO.		REV.	
MODULAR TELEPHONE JACK, 8P8C		X		MTJ-88DX1-LD		B	
VERTICAL PCB, GREEN LEDS		REF:		SCALE: NTS		SHEET 1 OF 1	

A

B

C

D

A

B

C

D

6

5

4

3

2

1