

GlobTek, Inc. www.globtek.com 186 Veterans Drive, Northvale, NJ 07647 Tel. (201) 784-1000 Fax (201) 784-0111	Drawing Title: GT-41132-6024-T3, ICT/ITE Power Supply, Efficiency Level: V, Case Color/Style: GlobTek Black, Desktop/External, Regulated Switchmode AC-DC Power Supply AC Adaptor, Input Rating: 100-240V~, 50-60 Hz, IEC 60320/C14 , Output Rating: 60W, 24.0V@2.7A, Output Configuration: 1830 mm, 18/1C + Shield Cond, UL 1185, MOLEX 4 POSITION MINI-FIT JR RECEPTACLE # 5557, with P/N 39-01-4040 HOUSING AND P/N 44476-1112, FEMALE CRIMP CONTACT WITH OVERMOLD DC00060, Ferrite: None, GlobTek Black, GT Cord # C6460, Pin Out: PIN 1: +24V , PIN 2 : N/C, PIN 3: Com/Gnd, Pin 4: N/C, Blades/Input Cord: (Order Separately), Approvals: CCC; UKCA; Korea (12V 15V Only); CE; cULus; NrCAN; China RoHS; WEEE; Class I; VCCI; PSE; Ukraine; Level V; RoHS; CB 60950; LPS 60950; ST-Malaysia; CB up to 45C @ 40W; CE; Israel (12V only); India BIS (12V only); IRAM; PSE; PSE; IP40; EAC; Korea (19V, 20V,24V only); FCC; RCM;	
	Model No. GT-41132-6024-T3	
	Part No./Ordering No. TR9CI2700ML4-N(RVB)	Rev D

In Addition to GlobTek Inc.'s renewed ISO9001:2015 - Quality Management System Certification, GlobTek Inc. is now certified to:

ISO13485:2016 - Medical Devices Quality Management System Certification

ISO14001:2015 - Environmental Management System Certification

ISO Certificates are available online at <https://www.globtek.com/iso-certificates/>

The acceptance of this specification and use of the product described in this document indicates the acceptance and binding of the customer to Globtek TERMS AND CONDITIONS (attached to the end of this document), which supersede all other agreements, terms, and conditions (<https://en.globtek.com/terms-and-conditions/>).

The purchaser of this product (Customer) agrees that it is their sole responsibility to determine suitability/fitness of the product described in this specification for their application and to take precautions for protection against any hazards attendant to the handling and use of the product.

Footnote:

GlobTek Inc. will not be liable for the safety and performance of these power supplies/battery packs if unauthorized access and repair occurs. End user should consult applicable UL, CSA or EN standards for proper installation instruction.

Limitation of Use:

GlobTek products are intended for use with commercial, medical, and/or industrial equipment only. GlobTek product are not authorized for use as mission critical components in life support hazardous environment, nuclear or aircraft applications without prior written approval from the CEO of GlobTek Inc.

Contents of this document are subject to change without prior notice.

Customer Approval of Specification:

Please approve, sign and send back to GlobTek so we can complete order processing.

A delay in receipt of this form will delay delivery schedule.

Company Name: _____ Customer P/N: _____

Quote Number: _____ Date: _____

Authorized Representative Name: _____ Authorized Representative Signature: _____

GlobTek, Inc. www.globtek.com 186 Veterans Drive, Northvale, NJ 07647 Tel. (201) 784-1000 Fax (201) 784-0111	Drawing Title: GT-41132-6024-T3, ICT/ITE Power Supply, Efficiency Level: V, Case Color/Style: GlobTek Black, Desktop/External, Regulated Switchmode AC-DC Power Supply AC Adaptor, Input Rating: 100-240V~, 50-60 Hz, IEC 60320/C14 , Output Rating: 60W, 24.0V@2.7A, Output Configuration: 1830 mm, 18/1C + Shield Cond, UL 1185, MOLEX 4 POSITION MINI-FIT JR RECEPTACLE # 5557, with P/N 39-01-4040 HOUSING AND P/N 44476-1112, FEMALE CRIMP CONTACT WITH OVERMOLD DC00060, Ferrite: None, GlobTek Black, GT Cord # C6460, Pin Out: PIN 1: +24V , PIN 2 : N/C, PIN 3: Com/Gnd, Pin 4: N/C, Blades/Input Cord: (Order Separately), Approvals: CCC; UKCA; Korea (12V 15V Only); CE; cULus; NrCAN; China RoHS; WEEE; Class I; VCCI; PSE; Ukraine; Level V; RoHS; CB 60950; LPS 60950; ST-Malaysia; CB up to 45C @ 40W; CE; Israel (12V only); India BIS (12V only); IRAM; PSE; PSE; IP40; EAC; Korea (19V, 20V,24V only); FCC; RCM;	
	Model No. GT-41132-6024-T3	
	Part No./Ordering No. TR9CI2700ML4-N(RVB)	Rev D

REVISION HISTORY

REV	DESCRIPTION	SUB	DATE	APPROVED
D	Update to new format SF, change Gost to EAC, Rohs to Rohs2, circle 10 to 30, PSE CQC to TUV PSE, add: KCC, SQS, IP40, LPS, words to N	QA	11/01/2016	QA

POWER SUPPLY INFORMATION

TYPE	Desktop/External
TECHNOLOGY	Regulated Switchmode AC-DC Power Supply AC Adaptor
CASE COLOR	GlobTek Black
NAMEPLATE RATED INPUT	100-240V~, 50-60 Hz, 1.5A
INPUT CONFIG	IEC 60320/C14
WATTS	60.00
VOLTS OUT	24.0
CURRENT OUT (Amps)	2.7
BLADE/CORD INCLUDED	None (Order Separately)
BLADE/CORD INSTALLED	None :(Order Separately)
INGRESS PROTECTION	IPX0, IPx1 or higher available
GROUNDING CONFIGURATION	(E1) Earthed output
EFFICIENCY LEVEL	V
OUTPUT CONFIGURATION	1830 mm, 18/1C + Shield Cond, UL 1185, MOLEX 4 POSITION MINI-FIT JR RECEPTACLE # 5557, with P/N 39-01-4040 HOUSING AND P/N 44476-1112, FEMALE CRIMP CONTACT WITH OVERMOLD DC00060, Ferrite: None, GlobTek Black, GT Cord # C6460
CONNECTOR PIN OUT	PIN 1: +24V , PIN 2 : N/C, PIN 3: Com/Gnd, Pin 4: N/C
LABEL SPECS	Standard GT,L-1186
SPECIAL BARCODE LABEL MATERIAL	No
PACK SPEC	Standard DT, Individually Box
USER MANUAL	

PROPRIETARY INFORMATION

PROPRIETARY OF GLOBTEK, INC. ANY REPRODUCTION, DISCLOSURE OR USE OF THIS DRAWING, IN WHOLE OR IN PART, IS HEREBY PROHIBITED EXCEPT AS SPECIFIED IN

WRITING BY GLOBTEK, INC. © GlobTek, Inc. 2012 - 2023

quest / 08/16/2023 10:41:17 AM GMT

GlobTek, Inc. www.globtek.com 186 Veterans Drive, Northvale, NJ 07647 Tel. (201) 784-1000 Fax (201) 784-0111	Drawing Title: GT-41132-6024-T3, ICT/ITE Power Supply, Efficiency Level: V, Case Color/Style: GlobTek Black, Desktop/External, Regulated Switchmode AC-DC Power Supply AC Adaptor, Input Rating: 100-240V~, 50-60 Hz, IEC 60320/C14 , Output Rating: 60W, 24.0V@2.7A, Output Configuration: 1830 mm, 18/1C + Shield Cond, UL 1185, MOLEX 4 POSITION MINI-FIT JR RECEPTACLE # 5557, with P/N 39-01-4040 HOUSING AND P/N 44476-1112, FEMALE CRIMP CONTACT WITH OVERMOLD DC00060, Ferrite: None, GlobTek Black, GT Cord # C6460, Pin Out: PIN 1: +24V , PIN 2 : N/C, PIN 3: Com/Gnd, Pin 4: N/C, Blades/Input Cord: (Order Separately), Approvals: CCC; UKCA; Korea (12V 15V Only); CE; cULus; NrCAN; China RoHS; WEEE; Class I; VCCI; PSE; Ukraine; Level V; RoHS; CB 60950; LPS 60950; ST-Malaysia; CB up to 45C @ 40W; CE; Israel (12V only); India BIS (12V only); IRAM; PSE; PSE; IP40; EAC; Korea (19V, 20V,24V only); FCC; RCM;	
	Model No. GT-41132-6024-T3	
	Part No./Ordering No. TR9CI2700ML4-N(RVB)	Rev D

Notes/Modifications/Customizations (notes in this section supersede the values shown in the standard spec)

DIMENSIONS ARE IN MM UNLESS SPECIFIED OTHERWISE

GlobTek, Inc. www.globtek.com 186 Veterans Drive, Northvale, NJ 07647 Tel. (201) 784-1000 Fax (201) 784-0111	Drawing Title: GT-41132-6024-T3, ICT/ITE Power Supply, Efficiency Level: V, Case Color/Style: GlobTek Black, Desktop/External, Regulated Switchmode AC-DC Power Supply AC Adaptor, Input Rating: 100-240V~, 50-60 Hz, IEC 60320/C14 , Output Rating: 60W, 24.0V@2.7A, Output Configuration: 1830 mm, 18/1C + Shield Cond, UL 1185, MOLEX 4 POSITION MINI-FIT JR RECEPTACLE # 5557, with P/N 39-01-4040 HOUSING AND P/N 44476-1112, FEMALE CRIMP CONTACT WITH OVERMOLD DC00060, Ferrite: None, GlobTek Black, GT Cord # C6460, Pin Out: PIN 1: +24V , PIN 2 : N/C, PIN 3: Com/Gnd, Pin 4: N/C, Blades/Input Cord: (Order Separately), Approvals: CCC; UKCA; Korea (12V 15V Only); CE; cULus; NrCAN; China RoHS; WEEE; Class I; VCCI; PSE; Ukraine; Level V; RoHS; CB 60950; LPS 60950; ST-Malaysia; CB up to 45C @ 40W; CE; Israel (12V only); India BIS (12V only); IRAM; PSE; PSE; IP40; EAC; Korea (19V, 20V,24V only); FCC; RCM;	
	Model No. GT-41132-6024-T3	
	Part No./Ordering No. TR9CI2700ML4-N(RVB)	Rev D

ELECTRICAL SPECIFICATIONS

A) ELECTRICAL SPECIFICATIONS:

01. Input Voltage: Specified 90-264 Vac, Nameplate rated: 100-240Vac
02. Input Frequency: Specified 47-63 Hz, Nameplate rated 50-60Hz
03. Output Regulation: +/- 5% measured at the output connector
04. Line Voltage Regulation: +/- 1% typical measured at output connector
05. Output Ripple (Vp-p): +/-1% or 150 mV whichever is greater, measured at 20 MHz bandwidth with 0.1 uf ceramic capacitor in parallel with 10 uf electrolytic capacitor connected at the end of the output connector at nominal line
06. Turn-ON/OFF Overshoot: 5% maximum, 1 mS typical recovery time for 25% to 50% step load
07. Turn-ON Delay: 1 Second Typical
08. Hold-Up Time: 8 mS typical @ nominal input voltage and full load
09. Inrush Current: 30/60A maximum cold start @ 115/230 Vac input
10. Switching Frequency: 65 KHz typical

B) PROTECTION

01. Over-Voltage: Electronically Protected Zener clamp across the output
02. Short Circuit: Electronically Protected unit will auto recover upon removal of fault
03. Input Protection: Input line fusing

C) SAFETY

01. Dielectric Withstand Voltage: 4242Vdc from primary to secondary
02. Earth Leakage Current: <3.5 mA at 240Vac input voltage
03. Touch Current: <0.25mA @ 240Vac input voltage
04. ROHS 2: Complies with EU 2011/65/EU and China SJ/T 11363-2006
05. Earth continuity test: 0.1 Ohm

D) OTHER:

01. MTBF: 200,000 Hours @ 25°C ambient temperature
02. Operating Temperature: 0°C to 40°C ambient temperature
03. Humidity: 0% to 90% relative humidity
04. Storage Temperature: -10°C to 80°C
05. Cooling: Convection
06. ROHS 2: Complies with EU 2011/65/EU and China SJ/T 11363-2006

E) ENCLOSURE

01. Housing: High impact plastic, 94V0 polycarbonate, non-vented
02. Size: 114*47*32.4 +/-1.0 mm
03. Markings: Label and/or Pad Printed and/or Molded in the case

PROPRIETARY INFORMATION

PROPRIETARY OF GLOBTEK, INC. ANY REPRODUCTION, DISCLOSURE OR USE OF THIS DRAWING, IN WHOLE OR IN PART, IS HEREBY PROHIBITED EXCEPT AS SPECIFIED IN WRITING BY GLOBTEK, INC. © GlobTek, Inc. 2012 - 2023

GlobTek, Inc. www.globtek.com 186 Veterans Drive, Northvale, NJ 07647 Tel. (201) 784-1000 Fax (201) 784-0111	Drawing Title: GT-41132-6024-T3, ICT/ITE Power Supply, Efficiency Level: V, Case Color/Style: GlobTek Black, Desktop/External, Regulated Switchmode AC-DC Power Supply AC Adaptor, Input Rating: 100-240V~, 50-60 Hz, IEC 60320/C14 , Output Rating: 60W, 24.0V@2.7A, Output Configuration: 1830 mm, 18/1C + Shield Cond, UL 1185, MOLEX 4 POSITION MINI-FIT JR RECEPTACLE # 5557, with P/N 39-01-4040 HOUSING AND P/N 44476-1112, FEMALE CRIMP CONTACT WITH OVERMOLD DC00060, Ferrite: None, GlobTek Black, GT Cord # C6460, Pin Out: PIN 1: +24V , PIN 2 : N/C, PIN 3: Com/Gnd, Pin 4: N/C, Blades/Input Cord: (Order Separately), Approvals: CCC; UKCA; Korea (12V 15V Only); CE; cULus; NrCAN; China RoHS; WEEE; Class I; VCCI; PSE; Ukraine; Level V; RoHS; CB 60950; LPS 60950; ST-Malaysia; CB up to 45C @ 40W; CE; Israel (12V only); India BIS (12V only); IRAM; PSE; PSE; IP40; EAC; Korea (19V, 20V,24V only); FCC; RCM;	
	Model No. GT-41132-6024-T3	
	Part No./Ordering No. TR9CI2700ML4-N(RVB)	Rev D

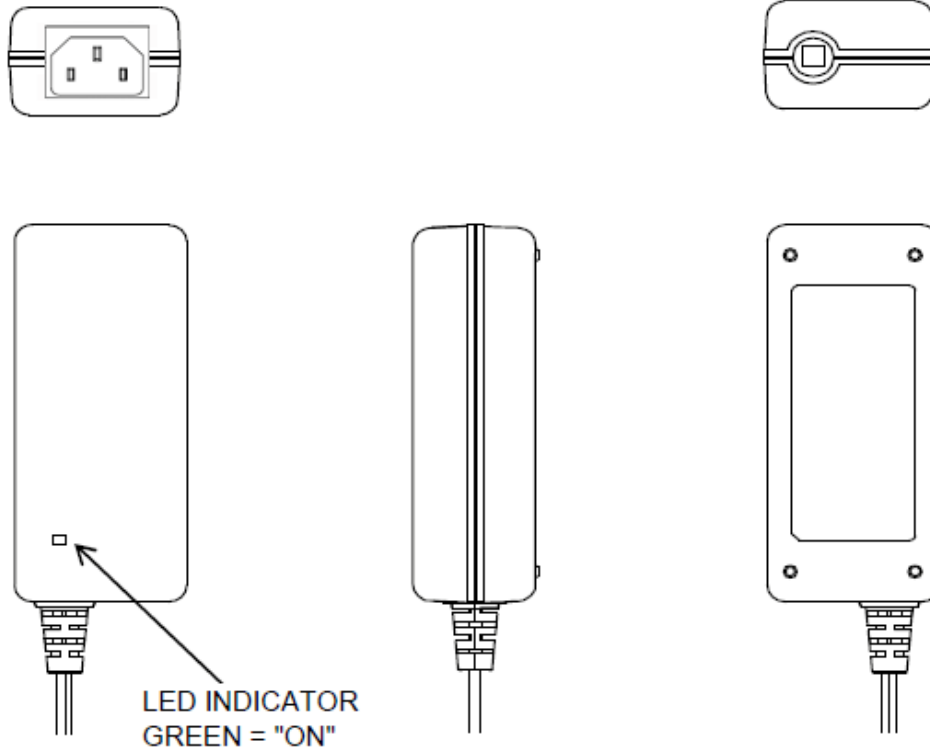
TO ADDRESS SYSTEM-LEVEL EMI CONCERNS, FERRITE CHOKES/BEADS MAY BE ADDED/REVISED UPON REQUEST. A SAMPLE KIT OF GLOBTEK'S STANDARD FERRITES IS AVAILABLE UNDER GLOBTEK P/N: EMI-MITIGATION-KIT1

FOR ADDITIONAL INFORMATION, PLEASE READ OUR WHITE PAPER AT: <https://r.globtek.info/3QeaqtD>

INGRESS PROTECTION: IPX0, IPx1 or higher available

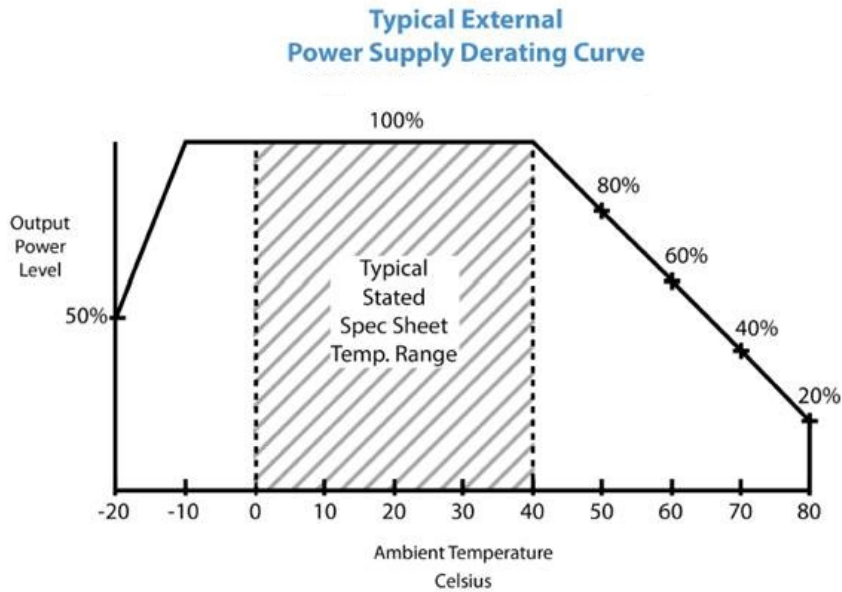
<p>GlobTek, Inc. www.globtek.com 186 Veterans Drive, Northvale, NJ 07647 Tel. (201) 784-1000 Fax (201) 784-0111</p>	<p>Drawing Title: GT-41132-6024-T3, ICT/ITE Power Supply, Efficiency Level: V, Case Color/Style: GlobTek Black, Desktop/External, Regulated Switchmode AC-DC Power Supply AC Adaptor, Input Rating: 100-240V~, 50-60 Hz, IEC 60320/C14 , Output Rating: 60W, 24.0V@2.7A, Output Configuration: 1830 mm, 18/1C + Shield Cond, UL 1185, MOLEX 4 POSITION MINI-FIT JR RECEPTACLE # 5557, with P/N 39-01-4040 HOUSING AND P/N 44476-1112, FEMALE CRIMP CONTACT WITH OVERMOLD DC00060, Ferrite: None, GlobTek Black, GT Cord # C6460, Pin Out: PIN 1: +24V , PIN 2 : N/C, PIN 3: Com/Gnd, Pin 4: N/C, Blades/Input Cord: (Order Separately), Approvals: CCC; UKCA; Korea (12V 15V Only); CE; cULus; NrCAN; China RoHS; WEEE; Class I; VCCI; PSE; Ukraine; Level V; RoHS; CB 60950; LPS 60950; ST-Malaysia; CB up to 45C @ 40W; CE; Israel (12V only); India BIS (12V only); IRAM; PSE; PSE; IP40; EAC; Korea (19V, 20V,24V only); FCC; RCM;</p>	
	<p>Model No. GT-41132-6024-T3</p>	
	<p>Part No./Ordering No. TR9CI2700ML4-N(RVB)</p>	<p>Rev D</p>

Mechanical drawing



<p>GlobTek, Inc. www.globtek.com 186 Veterans Drive, Northvale, NJ 07647 Tel. (201) 784-1000 Fax (201) 784-0111</p>	<p>Drawing Title: GT-41132-6024-T3, ICT/ITE Power Supply, Efficiency Level: V, Case Color/Style: GlobTek Black, Desktop/External, Regulated Switchmode AC-DC Power Supply AC Adaptor, Input Rating: 100-240V~, 50-60 Hz, IEC 60320/C14 , Output Rating: 60W, 24.0V@2.7A, Output Configuration: 1830 mm, 18/1C + Shield Cond, UL 1185, MOLEX 4 POSITION MINI-FIT JR RECEPTACLE # 5557, with P/N 39-01-4040 HOUSING AND P/N 44476-1112, FEMALE CRIMP CONTACT WITH OVERMOLD DC00060, Ferrite: None, GlobTek Black, GT Cord # C6460, Pin Out: PIN 1: +24V , PIN 2 : N/C, PIN 3: Com/Gnd, Pin 4: N/C, Blades/Input Cord: (Order Separately), Approvals: CCC; UKCA; Korea (12V 15V Only); CE; cULus; NrCAN; China RoHS; WEEE; Class I; VCCI; PSE; Ukraine; Level V; RoHS; CB 60950; LPS 60950; ST-Malaysia; CB up to 45C @ 40W; CE; Israel (12V only); India BIS (12V only); IRAM; PSE; PSE; IP40; EAC; Korea (19V, 20V,24V only); FCC; RCM;</p>
	<p>Model No. GT-41132-6024-T3</p>
	<p>Part No./Ordering No. TR9CI2700ML4-N(RVB) Rev D</p>

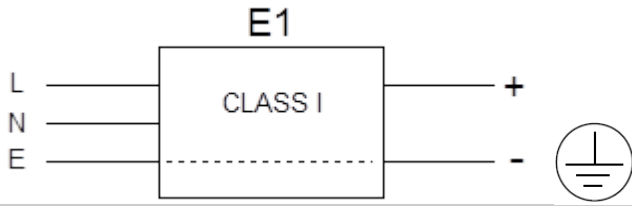
DERATING CURVE



GlobTek, Inc. www.globtek.com 186 Veterans Drive, Northvale, NJ 07647 Tel. (201) 784-1000 Fax (201) 784-0111	Drawing Title: GT-41132-6024-T3, ICT/ITE Power Supply, Efficiency Level: V, Case Color/Style: GlobTek Black, Desktop/External, Regulated Switchmode AC-DC Power Supply AC Adaptor, Input Rating: 100-240V~, 50-60 Hz, IEC 60320/C14 , Output Rating: 60W, 24.0V@2.7A, Output Configuration: 1830 mm, 18/1C + Shield Cond, UL 1185, MOLEX 4 POSITION MINI-FIT JR RECEPTACLE # 5557, with P/N 39-01-4040 HOUSING AND P/N 44476-1112, FEMALE CRIMP CONTACT WITH OVERMOLD DC00060, Ferrite: None, GlobTek Black, GT Cord # C6460, Pin Out: PIN 1: +24V , PIN 2 : N/C, PIN 3: Com/Gnd, Pin 4: N/C, Blades/Input Cord: (Order Separately), Approvals: CCC; UKCA; Korea (12V 15V Only); CE; cULus; NrCAN; China RoHS; WEEE; Class I; VCCI; PSE; Ukraine; Level V; RoHS; CB 60950; LPS 60950; ST-Malaysia; CB up to 45C @ 40W; CE; Israel (12V only); India BIS (12V only); IRAM; PSE; PSE; IP40; EAC; Korea (19V, 20V,24V only); FCC; RCM;	
	Model No. GT-41132-6024-T3	
	Part No./Ordering No. TR9CI2700ML4-N(RVB)	Rev D

INPUT CONFIGURATION

(E1) Earthed output

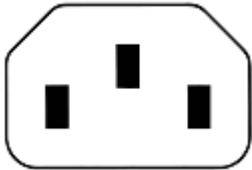


[Alternate grounding configurations](#) available upon request.

Blades/Cord Included:None:(Order Separately)

Blades/Cord Installed:None:(Order Separately)

IEC 60320/C14 AC Inlet Connector, Class I, Earth Ground



Mates with IEC 60320/C13 Plug

Optional Locking IEC60320 Receptable and cord option available on some models by request.:



[Standard International IEC 320/C13 Cordsets](#)

Below are standard cordsets which are "not included" (unless stated above); these can be purchased separately or packaged with the power supply. Contact your Sales Engineer if the style required is not shown below. Many more available in different lengths, colors or cable material.

GlobTek, Inc. www.globtek.com 186 Veterans Drive, Northvale, NJ 07647 Tel. (201) 784-1000 Fax (201) 784-0111	Drawing Title: GT-41132-6024-T3, ICT/ITE Power Supply, Efficiency Level: V, Case Color/Style: GlobTek Black, Desktop/External, Regulated Switchmode AC-DC Power Supply AC Adaptor, Input Rating: 100-240V~, 50-60 Hz, IEC 60320/C14 , Output Rating: 60W, 24.0V@2.7A, Output Configuration: 1830 mm, 18/1C + Shield Cond, UL 1185, MOLEX 4 POSITION MINI-FIT JR RECEPTACLE # 5557, with P/N 39-01-4040 HOUSING AND P/N 44476-1112, FEMALE CRIMP CONTACT WITH OVERMOLD DC00060, Ferrite: None, GlobTek Black, GT Cord # C6460, Pin Out: PIN 1: +24V , PIN 2 : N/C, PIN 3: Com/Gnd, Pin 4: N/C, Blades/Input Cord: (Order Separately), Approvals: CCC; UKCA; Korea (12V 15V Only); CE; cULus; NrCAN; China RoHS; WEEE; Class I; VCCI; PSE; Ukraine; Level V; RoHS; CB 60950; LPS 60950; ST-Malaysia; CB up to 45C @ 40W; CE; Israel (12V only); India BIS (12V only); IRAM; PSE; PSE; IP40; EAC; Korea (19V, 20V,24V only); FCC; RCM;	
	Model No. GT-41132-6024-T3	
	Part No./Ordering No. TR9CI2700ML4-N(RVB)	Rev D

Stock Power Supply Cords

Part Number/ Link	Country	Plug	Termination	Length (mm)	(Ft)
3021457F701(R)	N. American (Type B)	NEMA 5-15P	IEC 320/C13	2150	7
1191068F0701(R)	N. American (Type B)	NEMA 5-15P Hospital	IEC 320/C13	2459	8
2194272M5701-T(R)	Argentina (Type I)	IRAM 2073	IEC 320/C13	2500	8
5502022M5701A(R)	Australian (Type I)	AS3112 / 3 PRONG	IEC 320/C13	2500	8
204B4272M5701(R)	Brazil (Type N)	BRAZIL	IEC 320/C13	2500	8
6023602M5701(R)	China (Type I)	CCC GR2099	IEC 320/C13	2500	8
G8014272M5701(R)	Danish (Type K)	AFSNIT SECTION 107-2-D1	IEC 320/C13	2500	8
23144272M5701-T(R)	Europe (Type E)	CEE 7/7	IEC 320/C13	2500	8
23134272M5701EUKR(R)	Europe/Korea Combo (Type E)	CEE 7/7 / KSC8305	IEC 320/C13	2500	8
205IN4272M5701(R)	India (Type D)	India IS 1293 (also known as IA16A3 or BS546)	IEC 320/C13	2500	8
208IN4272M5701(R)	India (Type M)	India IS 1293 (also known as IA16A3 or BS546)	IEC320/C13	2500	8
377C4272M5701(R)	Israel (Type H)	ISL 377C	IEC 320/C13	2500	8
23024272M5701(R)	Italy (Type L)	CEI 23-16/VII	IEC 320/C13	2500	8
3003339F701(R) [3x1.25mm2]	Japan (Type B)	JIS 8303 / 3 PINS	IEC 320/C13	2500	8
3003068F2701-HK(R) [3 x 2.0mm2]					
302J115J6F0701J(R)	North America / Japan (Type B - 12A)	NEMA 5-15P (cULus approved), Japan JIS C 8303 (PSE Approved)	IEC 320/C13	1830	6
302J104J6F0701J(R)	North America / Japan (Type B - 15A)	NEMA 5-15P (cULus approved), Japan JIS C 8303 (PSE Approved)	IEC 320/C13	1830	6
302JT104J9F0701JT(R)	North America / Japan / Taiwan (Type B - 15A)	NEMA 5-15P (cULus approved), Japan JIS C 8303 (PSE Approved), Taiwan CNS 6797 (BSMI Approved)	IEC 320/C13	2800	9
2313K3432M5701(R)	Korea (Type F)	KS C 8305	IEC 320/C13	2500	8

PROPRIETARY INFORMATION

PROPRIETARY OF GLOBTEK, INC. ANY REPRODUCTION, DISCLOSURE OR USE OF THIS DRAWING, IN WHOLE OR IN PART, IS HEREBY PROHIBITED EXCEPT AS SPECIFIED IN WRITING BY GLOBTEK, INC. © GlobTek, Inc. 2012 - 2023

GlobTek, Inc. www.globtek.com 186 Veterans Drive, Northvale, NJ 07647 Tel. (201) 784-1000 Fax (201) 784-0111	Drawing Title: GT-41132-6024-T3, ICT/ITE Power Supply, Efficiency Level: V, Case Color/Style: GlobTek Black, Desktop/External, Regulated Switchmode AC-DC Power Supply AC Adaptor, Input Rating: 100-240V~, 50-60 Hz, IEC 60320/C14 , Output Rating: 60W, 24.0V@2.7A, Output Configuration: 1830 mm, 18/1C + Shield Cond, UL 1185, MOLEX 4 POSITION MINI-FIT JR RECEPTACLE # 5557, with P/N 39-01-4040 HOUSING AND P/N 44476-1112, FEMALE CRIMP CONTACT WITH OVERMOLD DC00060, Ferrite: None, GlobTek Black, GT Cord # C6460, Pin Out: PIN 1: +24V , PIN 2 : N/C, PIN 3: Com/Gnd, Pin 4: N/C, Blades/Input Cord: (Order Separately), Approvals: CCC; UKCA; Korea (12V 15V Only); CE; cULus; NrCAN; China RoHS; WEEE; Class I; VCCI; PSE; Ukraine; Level V; RoHS; CB 60950; LPS 60950; ST-Malaysia; CB up to 45C @ 40W; CE; Israel (12V only); India BIS (12V only); IRAM; PSE; PSE; IP40; EAC; Korea (19V, 20V,24V only); FCC; RCM;	
	Model No. GT-41132-6024-T3	
	Part No./Ordering No. TR9CI2700ML4-N(RVB)	Rev D

5804272M5701(R)	Russia (Type F)	GOST 7396	IEC 320/C13	2500	8
2084272M5701(R)	South Africa (Type M)	South Africa SABS164-1 (16A type)	IEC 320/C13	2500	8
23214272M5701(R)	Switzerland (Type J)	SEV 1011	IEC 320/C13	2500	8
3003322M5701(R)	Taiwan (Type B)	BSMI	IEC 320/C13	2500	8
6363762M5701(R)	Thailand (Type O)	TIS 166-2549	IEC 320/C13	2500	8
PZ0800100-2M5BK13H(R)	UK, Hong Kong, Singapore, Gulf States (Type G)	BS 1363A	IEC 320/C13	2500	8
7055002M5701A(R)	International	IEC 320 C14-C13	IEC 320/C13	2500	8

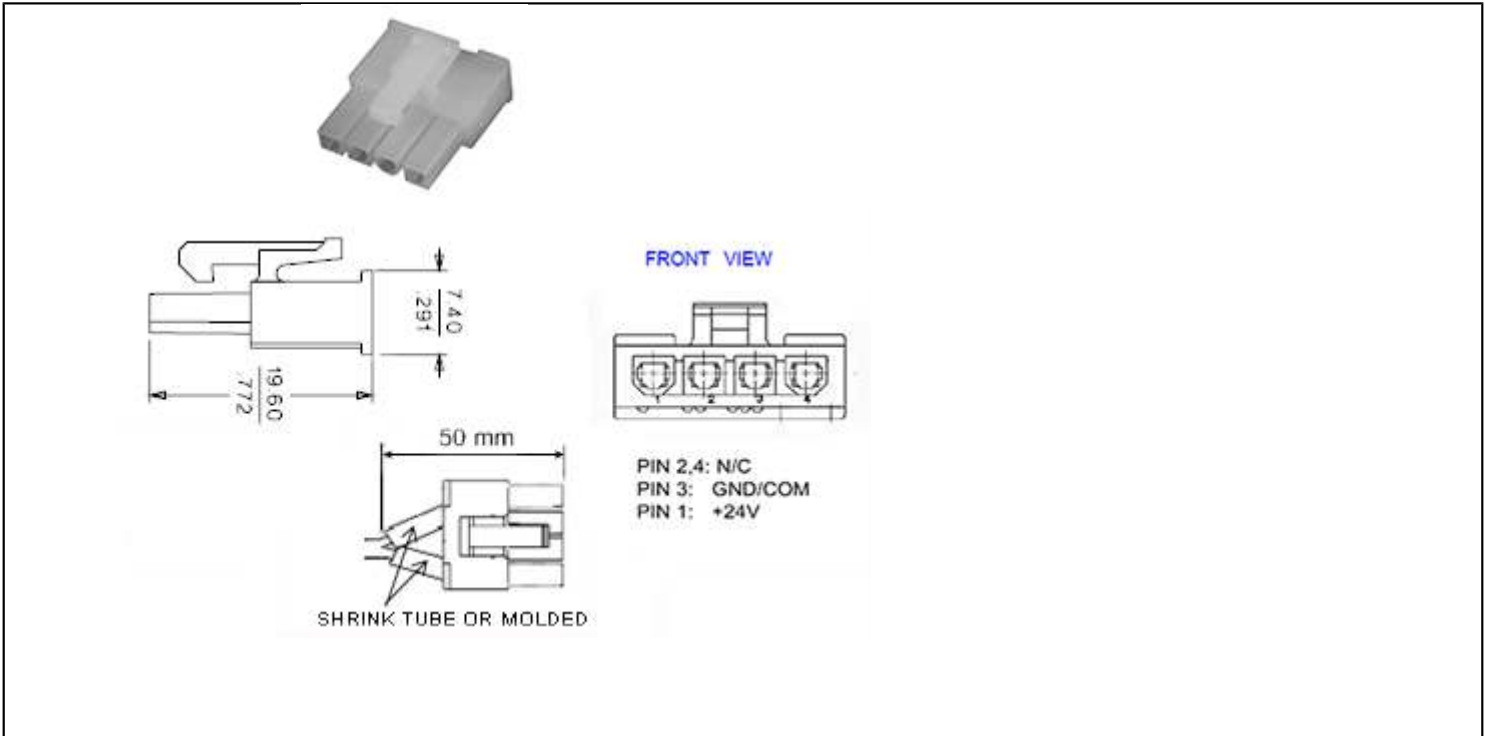
GlobTek, Inc. www.globtek.com 186 Veterans Drive, Northvale, NJ 07647 Tel. (201) 784-1000 Fax (201) 784-0111	Drawing Title: GT-41132-6024-T3, ICT/ITE Power Supply, Efficiency Level: V, Case Color/Style: GlobTek Black, Desktop/External, Regulated Switchmode AC-DC Power Supply AC Adaptor, Input Rating: 100-240V~, 50-60 Hz, IEC 60320/C14 , Output Rating: 60W, 24.0V@2.7A, Output Configuration: 1830 mm, 18/1C + Shield Cond, UL 1185, MOLEX 4 POSITION MINI-FIT JR RECEPTACLE # 5557, with P/N 39-01-4040 HOUSING AND P/N 44476-1112, FEMALE CRIMP CONTACT WITH OVERMOLD DC00060, Ferrite: None, GlobTek Black, GT Cord # C6460, Pin Out: PIN 1: +24V , PIN 2 : N/C, PIN 3: Com/Gnd, Pin 4: N/C, Blades/Input Cord: (Order Separately), Approvals: CCC; UKCA; Korea (12V 15V Only); CE; cULus; NrCAN; China RoHS; WEEE; Class I; VCCI; PSE; Ukraine; Level V; RoHS; CB 60950; LPS 60950; ST-Malaysia; CB up to 45C @ 40W; CE; Israel (12V only); India BIS (12V only); IRAM; PSE; PSE; IP40; EAC; Korea (19V, 20V,24V only); FCC; RCM;	
	Model No. GT-41132-6024-T3	
	Part No./Ordering No. TR9CI2700ML4-N(RVB)	Rev D

OUTPUT CORD AND CONNECTOR: ML4/C6460

ACTUAL CONNECTORS, OVERMOLDS, FERRITES MAY VARY SLIGHTLY FROM THE PICTURE BELOW

CABLE TYPE	UL 1185
CABLE LENGTH (mm)	1830
CABLE TOLERANCE (mm)	+150,-0
WIRE GAUGE (AWG)	18
CONDUCTORS	1C + Shield
HANK DIMENSION (mm)	120 ± 10
CABLE / CONNECTOR OVERMOLD COLOR	GlobTek Black
FERRITE TYPE AND DIMENSION	None
FERRITE NUMBER OF TURNS (Definition)	N/A
FERRITE DIMENSION FROM STRAIN RELIEF	N/A
FERRITE DIMENSION FROM PLUG	N/A
PLUG TYPE	MOLEX 4 POSITION MINI-FIT JR RECEPTACLE # 5557, with P/N 39-01-4040 HOUSING AND P/N 44476-1112, FEMALE CRIMP CONTACT WITH OVERMOLD DC00060
OVER MOLD ORIENTATION	Straight
CONNECTOR PIN OUT	PIN 1: +24V , PIN 2 : N/C, PIN 3: Com/Gnd, Pin 4: N/C

GlobTek, Inc. www.globtek.com 186 Veterans Drive, Northvale, NJ 07647 Tel. (201) 784-1000 Fax (201) 784-0111	Drawing Title: GT-41132-6024-T3, ICT/ITE Power Supply, Efficiency Level: V, Case Color/Style: GlobTek Black, Desktop/External, Regulated Switchmode AC-DC Power Supply AC Adaptor, Input Rating: 100-240V~, 50-60 Hz, IEC 60320/C14 , Output Rating: 60W, 24.0V@2.7A, Output Configuration: 1830 mm, 18/1C + Shield Cond, UL 1185, MOLEX 4 POSITION MINI-FIT JR RECEPTACLE # 5557, with P/N 39-01-4040 HOUSING AND P/N 44476-1112, FEMALE CRIMP CONTACT WITH OVERMOLD DC00060, Ferrite: None, GlobTek Black, GT Cord # C6460, Pin Out: PIN 1: +24V , PIN 2 : N/C, PIN 3: Com/Gnd, Pin 4: N/C, Blades/Input Cord: (Order Separately), Approvals: CCC; UKCA; Korea (12V 15V Only); CE; cULus; NrCAN; China RoHS; WEEE; Class I; VCCI; PSE; Ukraine; Level V; RoHS; CB 60950; LPS 60950; ST-Malaysia; CB up to 45C @ 40W; CE; Israel (12V only); India BIS (12V only); IRAM; PSE; PSE; IP40; EAC; Korea (19V, 20V,24V only); FCC; RCM;	
	Model No. GT-41132-6024-T3	
	Part No./Ordering No. TR9CI2700ML4-N(RVB)	Rev D



ADDITIONAL OUTPUT PLUG OPTIONS ARE AVAILABLE AT <https://www.globtek.com/connectors/>
 STANDARD PLUGS AND CONNECTORS CAN BE SEEN ONLINE AT <https://www.globtek.com/connectors/>
 CALCULATE VOLTAGE REGULATION/DROP WITH OUR ONLINE CALCULATOR: <https://en.globtek.com/output-cable-regulation-calculator/>

GlobTek, Inc. www.globtek.com 186 Veterans Drive, Northvale, NJ 07647 Tel. (201) 784-1000 Fax (201) 784-0111	Drawing Title: GT-41132-6024-T3, ICT/ITE Power Supply, Efficiency Level: V, Case Color/Style: GlobTek Black, Desktop/External, Regulated Switchmode AC-DC Power Supply AC Adaptor, Input Rating: 100-240V~, 50-60 Hz, IEC 60320/C14 , Output Rating: 60W, 24.0V@2.7A, Output Configuration: 1830 mm, 18/1C + Shield Cond, UL 1185, MOLEX 4 POSITION MINI-FIT JR RECEPTACLE # 5557, with P/N 39-01-4040 HOUSING AND P/N 44476-1112, FEMALE CRIMP CONTACT WITH OVERMOLD DC00060, Ferrite: None, GlobTek Black, GT Cord # C6460, Pin Out: PIN 1: +24V , PIN 2 : N/C, PIN 3: Com/Gnd, Pin 4: N/C, Blades/Input Cord: (Order Separately), Approvals: CCC; UKCA; Korea (12V 15V Only); CE; cULus; NrCAN; China RoHS; WEEE; Class I; VCCI; PSE; Ukraine; Level V; RoHS; CB 60950; LPS 60950; ST-Malaysia; CB up to 45C @ 40W; CE; Israel (12V only); India BIS (12V only); IRAM; PSE; PSE; IP40; EAC; Korea (19V, 20V,24V only); FCC; RCM;	
	Model No. GT-41132-6024-T3	
	Part No./Ordering No. TR9CI2700ML4-N(RVB)	Rev D

OUTPUT CONNECTOR HOOK UP

TO ADDRESS SYSTEM-LEVEL EMI CONCERNS, FERRITE CHOKES/BEADS MAY BE ADDED/REVISED UPON REQUEST. A SAMPLE KIT OF GLOBTEK'S STANDARD FERRITES IS AVAILABLE UNDER GLOBTEK P/N: EMI-MITIGATION-KIT1

FOR ADDITIONAL INFORMATION, PLEASE READ OUR WHITE PAPER AT:

<https://en.globtek.com/technical-articles/ferrite-kit-radiated-emi-suppression-kit-for-globtek-power-supplies-cable-assemblies>

GlobTek, Inc. www.globtek.com 186 Veterans Drive, Northvale, NJ 07647 Tel. (201) 784-1000 Fax (201) 784-0111	Drawing Title: GT-41132-6024-T3, ICT/ITE Power Supply, Efficiency Level: V, Case Color/Style: GlobTek Black, Desktop/External, Regulated Switchmode AC-DC Power Supply AC Adaptor, Input Rating: 100-240V~, 50-60 Hz, IEC 60320/C14, Output Rating: 60W, 24.0V@2.7A, Output Configuration: 1830 mm, 18/1C + Shield Cond, UL 1185, MOLEX 4 POSITION MINI-FIT JR RECEPTACLE # 5557, with P/N 39-01-4040 HOUSING AND P/N 44476-1112, FEMALE CRIMP CONTACT WITH OVERMOLD DC00060, Ferrite: None, GlobTek Black, GT Cord # C6460, Pin Out: PIN 1: +24V, PIN 2: N/C, PIN 3: Com/Gnd, Pin 4: N/C, Blades/Input Cord: (Order Separately), Approvals: CCC; UKCA; Korea (12V 15V Only); CE; cULus; NrCAN; China RoHS; WEEE; Class I; VCCI; PSE; Ukraine; Level V; RoHS; CB 60950; LPS 60950; ST-Malaysia; CB up to 45C @ 40W; CE; Israel (12V only); India BIS (12V only); IRAM; PSE; PSE; IP40; EAC; Korea (19V, 20V,24V only); FCC; RCM;	
	Model No. GT-41132-6024-T3	
	Part No./Ordering No. TR9CI2700ML4-N(RVB)	Rev D

LABEL:L-1186

LABEL P/N	Standard GT
MATERIAL	Flat Thermal Transfer, Imprintable, Polyester Label and/or Pad Printed and/or Molded, and/or Laser Engraved in the case
BACKGROUND COLOR	Black if housing is Black, White or Silver if housing is White or Gray.
TEXT COLOR	White or Silver if label is Black Background for Black housing. Black if label is White or Silver background and Housing is White or Gray.
LABEL WIDTH (mm)	33.3
LABEL HEIGHT (mm)	75.3
SPECIAL BARCODE LABEL MATERIAL	No

Below is the minimum information which will appear on the label. NOTE: in the logo area additional/actual positioning of symbols and text is subjected to change as per agency updates/requirements or additional model approvals become available.
 Regulatory certifications/label markings may be in logo area on the label or molded into the case housing outside the label area.
 Information will be shown via label and/or pad printed and/or molded and/or laser engraved in the case. * Date code markings at GlobTek option



or
DATE CODE B *:

WWYY
 WW = WEEK
 YY = YEAR

- A=ICT/ITE Power Supply
- B=P/N: (料号) TR9CI2700ML4-N(RVB)
- C=Model (型号) GT-41132-6024-T3
- D=Input (输入)100-240V~, 50-60 Hz, 1.5A
- E=Output (输出)24.0 V 2.7 A, 60.00W

GlobTek, Inc. www.globtek.com 186 Veterans Drive, Northvale, NJ 07647 Tel. (201) 784-1000 Fax (201) 784-0111	Drawing Title: GT-41132-6024-T3, ICT/ITE Power Supply, Efficiency Level: V, Case Color/Style: GlobTek Black, Desktop/External, Regulated Switchmode AC-DC Power Supply AC Adaptor, Input Rating: 100-240V~, 50-60 Hz, IEC 60320/C14 , Output Rating: 60W, 24.0V@2.7A, Output Configuration: 1830 mm, 18/1C + Shield Cond, UL 1185, MOLEX 4 POSITION MINI-FIT JR RECEPTACLE # 5557, with P/N 39-01-4040 HOUSING AND P/N 44476-1112, FEMALE CRIMP CONTACT WITH OVERMOLD DC00060, Ferrite: None, GlobTek Black, GT Cord # C6460, Pin Out: PIN 1: +24V , PIN 2 : N/C, PIN 3: Com/Gnd, Pin 4: N/C, Blades/Input Cord: (Order Separately), Approvals: CCC; UKCA; Korea (12V 15V Only); CE; cULus; NrCAN; China RoHS; WEEE; Class I; VCCI; PSE; Ukraine; Level V; RoHS; CB 60950; LPS 60950; ST-Malaysia; CB up to 45C @ 40W; CE; Israel (12V only); India BIS (12V only); IRAM; PSE; PSE; IP40; EAC; Korea (19V, 20V,24V only); FCC; RCM;	
	Model No. GT-41132-6024-T3	
	Part No./Ordering No. TR9CI2700ML4-N(RVB)	Rev D

AGENCY ONLINE DOCUMENTS	http://www.globtek.info/certs/GT-41132-T2-T3-T3A/
CE EC-Declaration for Medical	Contact GlobTek for more information
CE EC-Declaration for Industrial/Commercial/ITE	http://globtek.force.com/models/ec_declaration_product?id=01t30000002qcH9&i=4
CE EC-Declaration for Household	Contact GlobTek for more information
UKCA-Declaration for Medical	Contact GlobTek for more information
UKCA-Declaration for Industrial/Commercial/ITE	http://globtek.force.com/models/ukca_declaration_product?id=01t30000002qcH9&i=4
UKCA-Declaration for Household	Contact GlobTek for more information
Morocco SDoC Declaration	https://globtek.secure.force.com/models/Morocco_SDoC_Declaration?id=a0O30000008UmwiEAC
RoHS/RoHS3 Declaration	https://www.globtek.com/pdf/rohs_cert/01t30000002qcH9AAI
REACH Declaration	https://www.globtek.com/pdf/iso_certificates/REACH.pdf
Conflict Minerals Declaration	https://www.globtek.com/pdf/conflict-minerals.pdf
Prop 65 Statement	https://en.globtek.com/prop-65-statement.pdf

IPXY rating is based on 3rd party testing and customers should check suitability and test system level IPXY rating before ordering.

Regulatory Certifications/Label Markings

Below follows a link to the latest regulatory certifications and marks for this specific product. National standards as well as certification schemes are constantly changing and so is the set of certification marks and symbols applicable to this product. Various standards, marks and symbols, and certificates are subject to change at any time without notice.

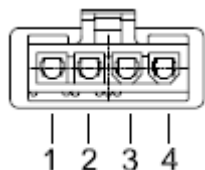
Additional standards or unique country certifications are available upon request. Please contact Globtek to request a quotation.

LATEST PRODUCT/MODEL CERTIFICATIONS: <https://www.globtek.com/datasheet/w70541>

AGENCY ONLINE DOCUMENTS <http://www.globtek.info/certs/GT-41132-T2-T3-T3A/>



(E1) Earthed output



PIN 1: +24V , PIN 2 : N/C, PIN 3: Com/Gnd, Pin 4: N/C

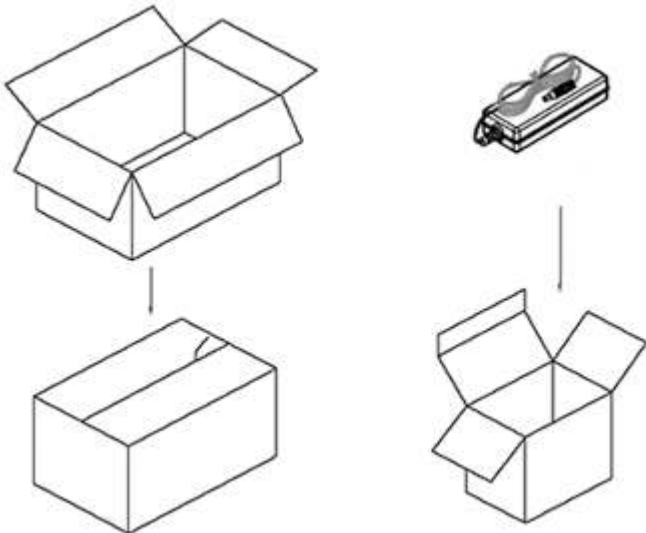
GlobTek, Inc. www.globtek.com 186 Veterans Drive, Northvale, NJ 07647 Tel. (201) 784-1000 Fax (201) 784-0111	Drawing Title: GT-41132-6024-T3, ICT/ITE Power Supply, Efficiency Level: V, Case Color/Style: GlobTek Black, Desktop/External, Regulated Switchmode AC-DC Power Supply AC Adaptor, Input Rating: 100-240V~, 50-60 Hz, IEC 60320/C14 , Output Rating: 60W, 24.0V@2.7A, Output Configuration: 1830 mm, 18/1C + Shield Cond, UL 1185, MOLEX 4 POSITION MINI-FIT JR RECEPTACLE # 5557, with P/N 39-01-4040 HOUSING AND P/N 44476-1112, FEMALE CRIMP CONTACT WITH OVERMOLD DC00060, Ferrite: None, GlobTek Black, GT Cord # C6460, Pin Out: PIN 1: +24V , PIN 2 : N/C, PIN 3: Com/Gnd, Pin 4: N/C, Blades/Input Cord: (Order Separately), Approvals: CCC; UKCA; Korea (12V 15V Only); CE; cULus; NrCAN; China RoHS; WEEE; Class I; VCCI; PSE; Ukraine; Level V; RoHS; CB 60950; LPS 60950; ST-Malaysia; CB up to 45C @ 40W; CE; Israel (12V only); India BIS (12V only); IRAM; PSE; PSE; IP40; EAC; Korea (19V, 20V,24V only); FCC; RCM;	
	Model No. GT-41132-6024-T3	
	Part No./Ordering No. TR9CI2700ML4-N(RVB)	Rev D

PACKAGING

Packing Spec P/N	Standard DT, Individually Box
Box Qty	45
Gift Box Size (mm)	140*60*50
Gift Box Color	White
Master Carton Size (mm)	440 x 323 x 180
Master Carton Cubic Volume (m³)	0.03
Master GW (Kg)	15.6 kg
BLADES INCLUDED	None: (Order Separately)
BLADE/CORD INSTALLED	None: (Order Separately)
USER MANUAL*	
USER MANUAL WEB LINK	

* This specification sheet is considered the user manual for all applications. It is expected that the buyer of this product will use it to formulate their own user manual for their end product and a user manual specifically for the power adapter is not usually required. If a user manual is not specifically listed above then none will be provided with this unit.

If specific packaging is required, this section must specify all requirements and note "no exceptions". If this section does not specify packaging, it is subject to change without notice at GlobTek's discretion



PROPRIETARY INFORMATION

GlobTek, Inc. www.globtek.com 186 Veterans Drive, Northvale, NJ 07647 Tel. (201) 784-1000 Fax (201) 784-0111	Drawing Title: GT-41132-6024-T3, ICT/ITE Power Supply, Efficiency Level: V, Case Color/Style: GlobTek Black, Desktop/External, Regulated Switchmode AC-DC Power Supply AC Adaptor, Input Rating: 100-240V~, 50-60 Hz, IEC 60320/C14 , Output Rating: 60W, 24.0V@2.7A, Output Configuration: 1830 mm, 18/1C + Shield Cond, UL 1185, MOLEX 4 POSITION MINI-FIT JR RECEPTACLE # 5557, with P/N 39-01-4040 HOUSING AND P/N 44476-1112, FEMALE CRIMP CONTACT WITH OVERMOLD DC00060, Ferrite: None, GlobTek Black, GT Cord # C6460, Pin Out: PIN 1: +24V , PIN 2 : N/C, PIN 3: Com/Gnd, Pin 4: N/C, Blades/Input Cord: (Order Separately), Approvals: CCC; UKCA; Korea (12V 15V Only); CE; cULus; NrCAN; China RoHS; WEEE; Class I; VCCI; PSE; Ukraine; Level V; RoHS; CB 60950; LPS 60950; ST-Malaysia; CB up to 45C @ 40W; CE; Israel (12V only); India BIS (12V only); IRAM; PSE; PSE; IP40; EAC; Korea (19V, 20V,24V only); FCC; RCM;	
	Model No. GT-41132-6024-T3	
	Part No./Ordering No. TR9CI2700ML4-N(RVB)	Rev D

INSTRUCTIONS TO THE OEM SYSTEMS ENGINEER

It is the responsibility of the OEM systems engineer to provide the end system user instructions and warnings for the use of this product in the end system.

If an input cord is required for this product, AC Mains voltage should be provided to the power supply by a power supply cord approved to the national standards of the country in which it will be used.

This product is not designed to be repaired. No serviceable parts inside. A blown internal fuse is an indication of catastrophic failure of circuit component(s). If a Failure Analysis is required for a failed power supply/battery charger, please return the damaged unit to GlobTek for an accurate determination of the root cause of the failure.

EMC Compliance of the complete OEM product, including the GlobTek power supply/battery charger needs to be verified by the OEM systems engineer.

INSTRUCTION SHEET

N/A

GloTek, Inc. www.globtek.com 186 Veterans Drive, Northvale, NJ 07647 Tel. (201) 784-1000 Fax (201) 784-0111	Drawing Title: GT-41132-6024-T3, ICT/ITE Power Supply, Efficiency Level: V, Case Color/Style: GlobTek Black, Desktop/External, Regulated Switchmode AC-DC Power Supply AC Adaptor, Input Rating: 100-240V~, 50-60 Hz, IEC 60320/C14 , Output Rating: 60W, 24.0V@2.7A, Output Configuration: 1830 mm, 18/1C + Shield Cond, UL 1185, MOLEX 4 POSITION MINI-FIT JR RECEPTACLE # 5557, with P/N 39-01-4040 HOUSING AND P/N 44476-1112, FEMALE CRIMP CONTACT WITH OVERMOLD DC00060, Ferrite: None, GlobTek Black, GT Cord # C6460, Pin Out: PIN 1: +24V , PIN 2 : N/C, PIN 3: Com/Gnd, Pin 4: N/C, Blades/Input Cord: (Order Separately), Approvals: CCC; UKCA; Korea (12V 15V Only); CE; cULus; NrCAN; China RoHS; WEEE; Class I; VCCI; PSE; Ukraine; Level V; RoHS; CB 60950; LPS 60950; ST-Malaysia; CB up to 45C @ 40W; CE; Israel (12V only); India BIS (12V only); IRAM; PSE; PSE; IP40; EAC; Korea (19V, 20V,24V only); FCC; RCM;	
	Model No. GT-41132-6024-T3	
	Part No./Ordering No. TR9CI2700ML4-N(RVB)	Rev D

