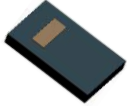


Surface Mount RF Termination
6 Watts, 50Ω



Description:

The C6N50Z4 is high performance Aluminum Nitride (AlN) surface mount termination intended as a cost competitive alternative to Beryllium Oxide (BeO). The termination is well suited to all cellular frequency bands such as; AMPS, GSM, DCS, PCS, PHS and UMTS. The high power handling makes the part ideal for terminating high power 90 degree couplers and for use in microstrip circuits. The termination is also RoHS compliant!

Features:

- RoHS Compliant
- 0.5 Watts
- AlN Ceramic
- Non-Nichrome Resistive Element
- Low VSWR
- 100% Tested

General Specifications:

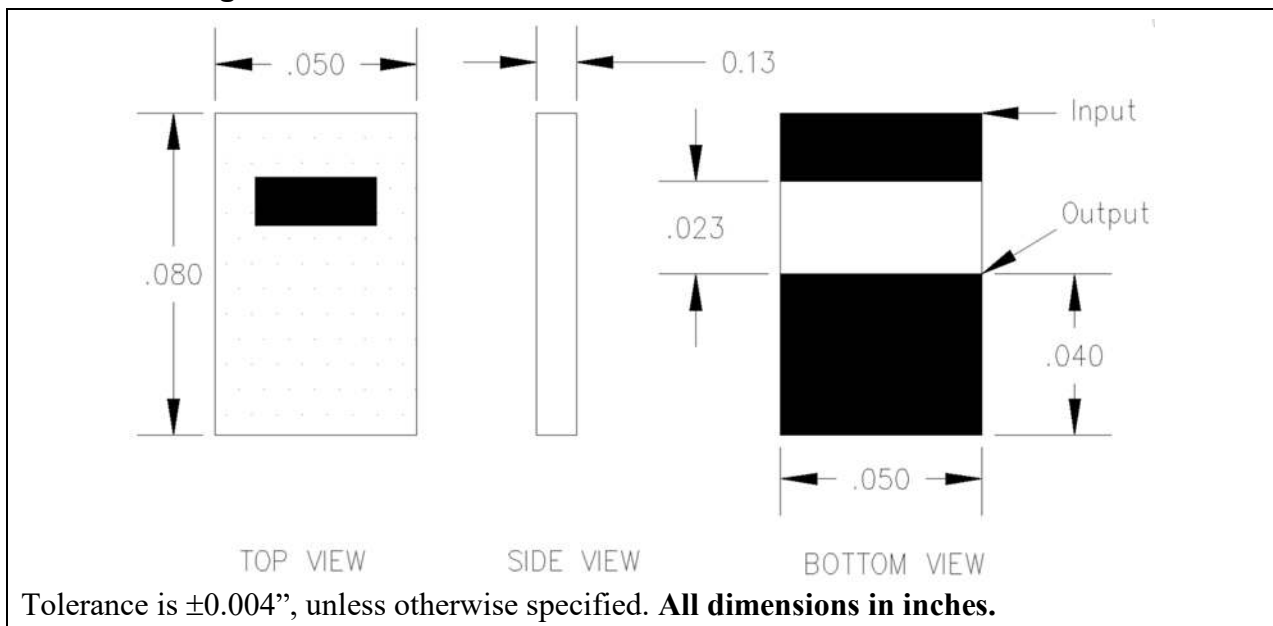
Resistive Element	Thick film
Substrate	AlN Ceramic
Terminal Finish	Matte Tin over Nickel Barrier
Operating Temperature	-55 to +150°C (see de rating chart)

Electrical Specifications:

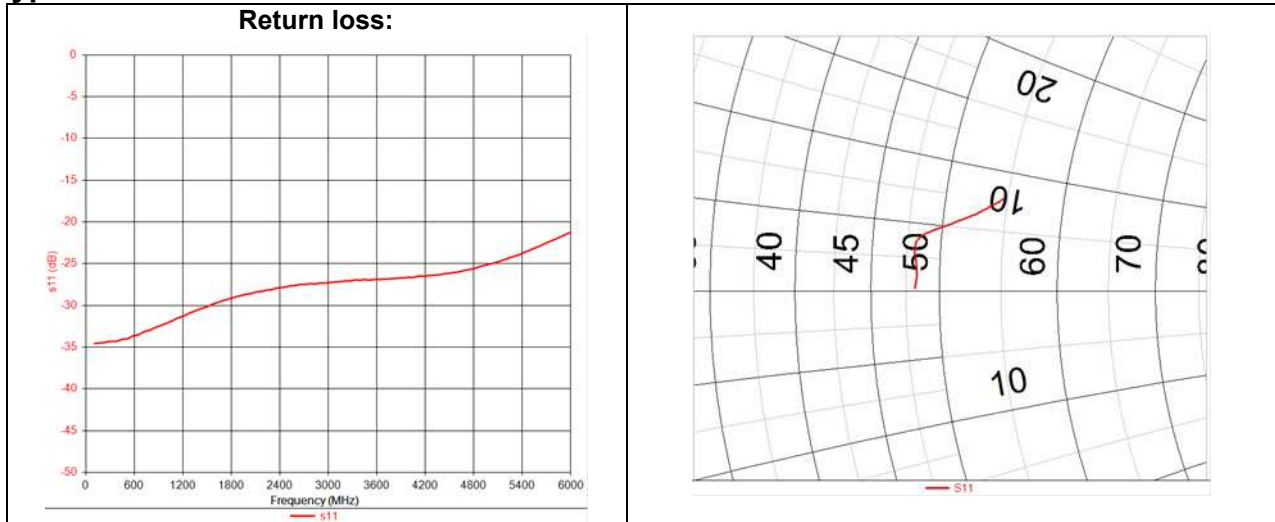
Power:	6 Watts
Frequency Range:	DC – 6.0 GHz
Return Loss	>18 dB

Specification based on unit properly installed using suggested mounting instructions and a 50 ohm nominal impedance. **Specifications subject to change.**

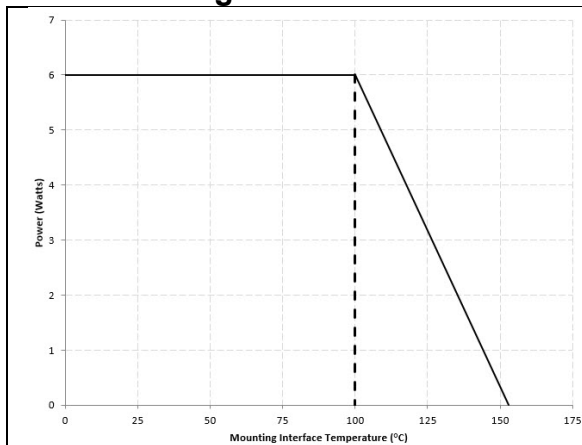
Outline Drawing:



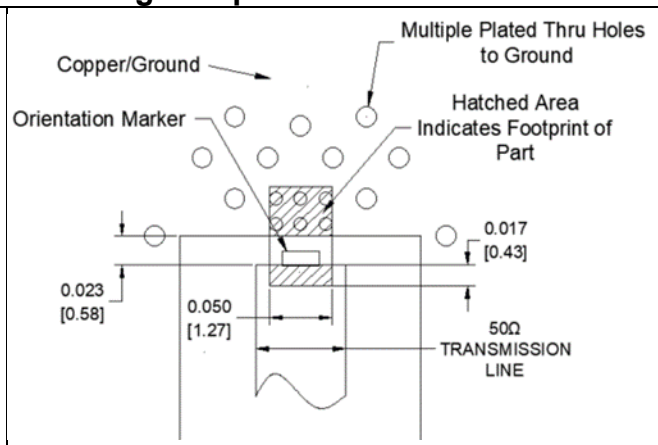
Typical Performance:



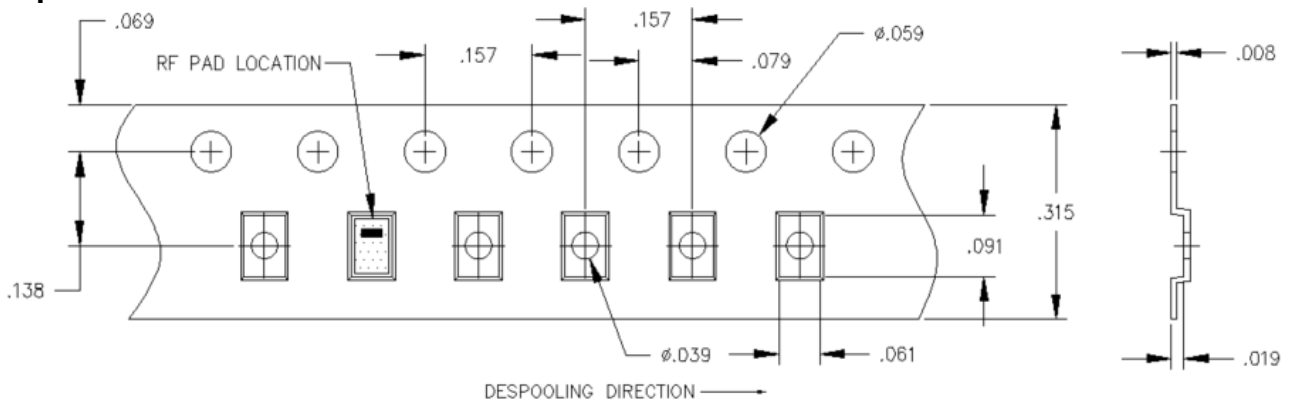
Power de-rating:



Mounting Footprint:



Tape & Reel:



TAPE DETAIL & RF PAD ORIENTATION

Contact us:
rf&s_support@ttm.com