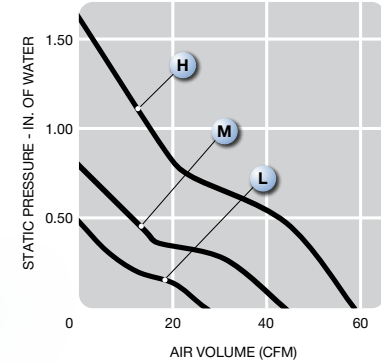
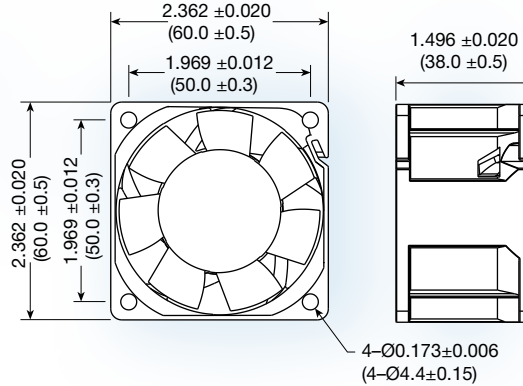


# MS6038-S series



**(60 x 60 x 38 mm)**

2.36 x 2.36 x 1.50 inches

Features: soft start, polarity protection, auto-restart

Operating Voltage: 12, 24 and 48 VDC

Construction: UL94V-0 plastic impeller and plastic frame

Bearing option: ball bearing

Air Flow: air exhaust over struts

Options:

- tachometer;
- locked rotor alarm signal;
- PWM speed control;
- conformal coating;
- encapsulated motor (IP68)



Model No.	Rated Voltage VDC	Current A			Speed RPM	Air Volume		Max. Static Pressure (H <sub>2</sub> O)		Sound Noise dbA	Weight g
		12	24	48		M <sup>3</sup> /Min.	CFM	MM	INCH		
MS6038L-S	12/24/48	0.27	0.13	0.09	6,000	0.74	32	11.89	0.47	39	104
MS6038M-S	12/24/48	0.58	0.32	0.14	8,000	1.24	44.1	20.73	0.81	54	104
MS6038H-S	12/24/48	1.35	0.58	0.29	11,000	1.64	58.0	40.60	1.60	59	104

\*Additional performance levels available, contact Mechatronics for more options