

Signature	Revision History	Date	Rev.
G.Chen	Release DIGITUS format drawing	May/04/2011	01

1

2

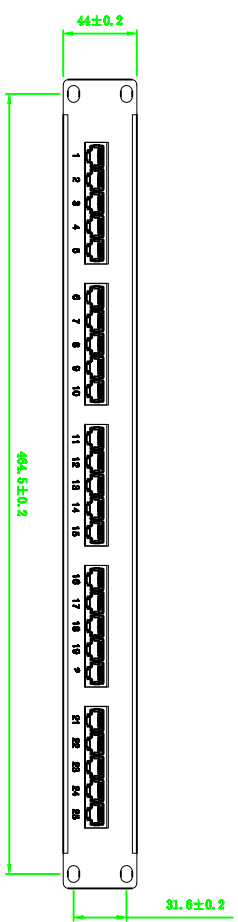
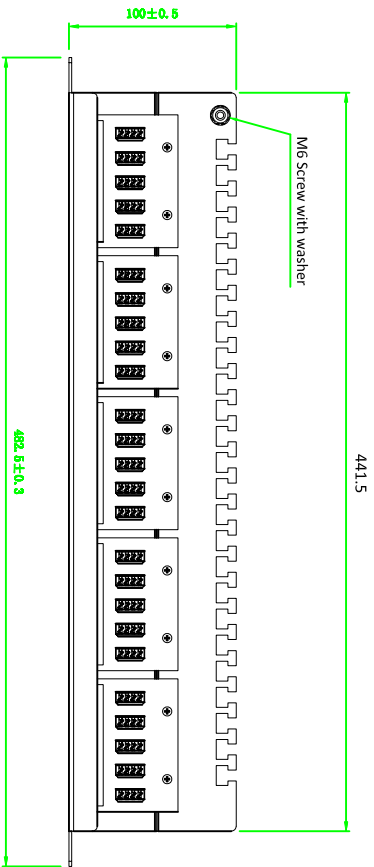
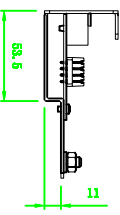
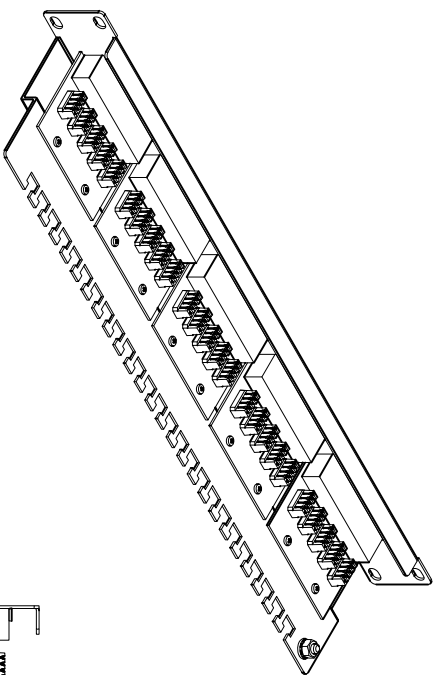
3

4

5

6

7



**Specification:**

**Material:**

1. Panel: SPCC, 1.5mm Thickness with Black or Grey color painted.
2. RJ45 Jack:

  - 2-1. Housing: PBT, UL 94V-0.
  - 2-2. Contact Bracket: PBT, UL 94V-0.

3. RJ45 Jack Contact:
  - 3-1. Material: Phosphor Bronze with Nickel plated.
  - 3-2. Finish: 6 micro-inch Gold plated on plug contact area.
4. IDC: KRONE Type
  - 4-1. Housing PC, UL 94V-0.f
  - 4-2. Terminal: Phosphor Bronze with Tin plated.
5. PCB: FR4, 1.6mm thickness, UL 94V-0.

**Performance:**

- A. Contact Resistance: Normal Barometric no more than 2.5MΩ  
 B. Insulation Resistance: Normal Barometric no more than 1000MΩ  
 C. Dielectric Strength: DC 1000V (AC 700V), No Arc-over & Puncture in one minute  
 D. Life(mating cycles):  
 \* Jack: 750 cycles min. (ISO/IEC 11801, IEC 60603-7-5)  
 \* IDC: 200 cycles min. Suitable for wire diameter 0.4-0.6mm, compatible with Krone punch down tool  
 E. Accessories:  
 Drain wire: Length 280mm, Dia:3.5mm, M6 screw with washer  
 Mount screws: 8# \* 4, 10# \* 4  
 F. Panel printed with DIGITUS professional logo, each pcs packed in DIGITUS gift-box

1

2

3

4

5

6

7

	Date	Name
Drawn By	May 4, 2011	G.Chen
Checked By	May 4, 2011	Andreas.N
Approved By		

Part No.	<b>DN-91325-1</b>
Title:	DIGITUS CAT.3 ISDN PATCH PANEL 25 PORTS RJ45 SOCKET USA 1U



Scale	N/A	Sheet	1/1
Unit	MM		

57802380

H

G

F

E

D

C

B

A