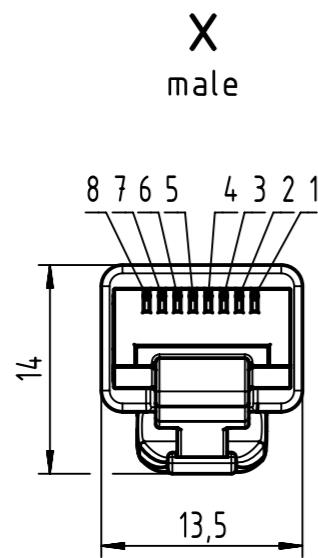
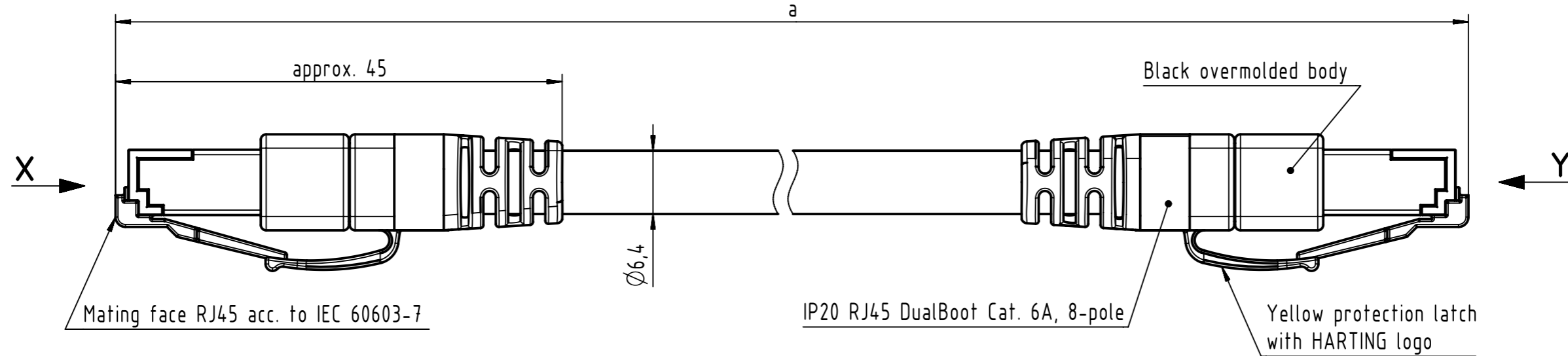
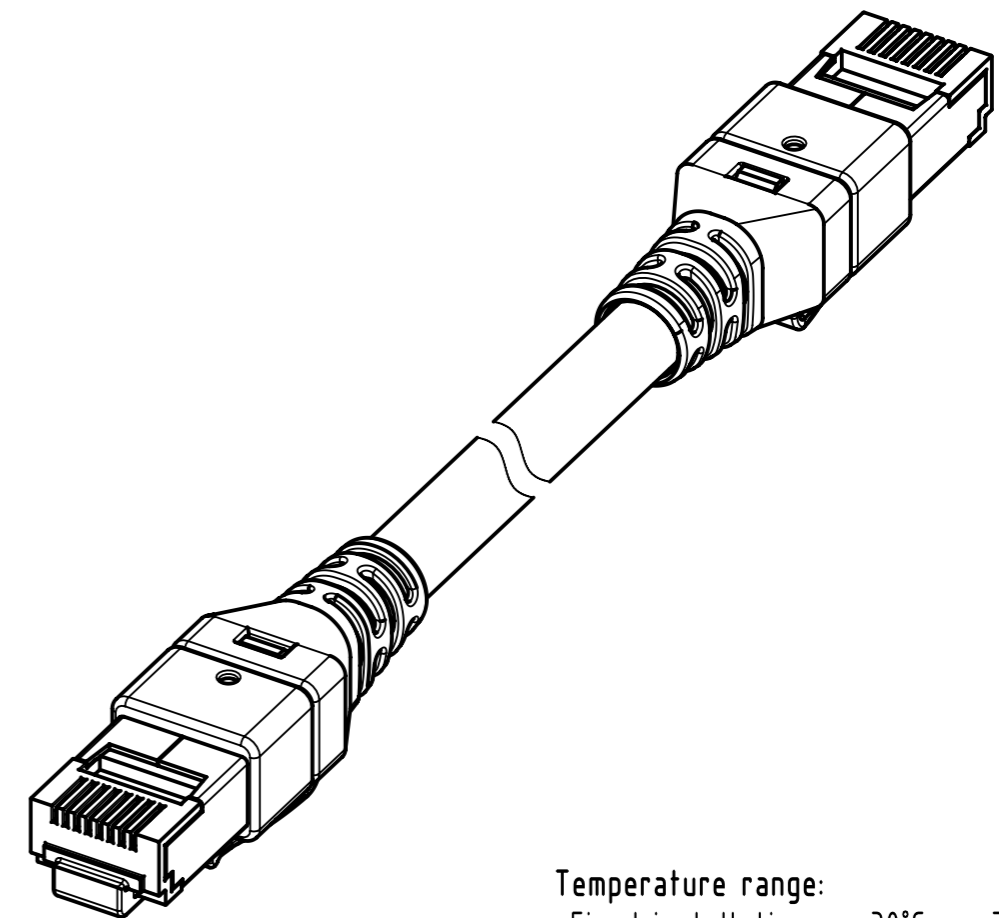
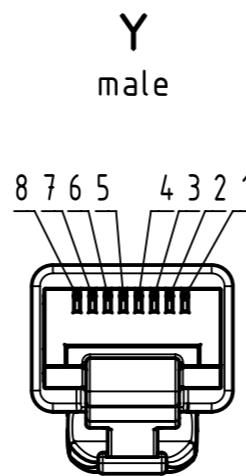
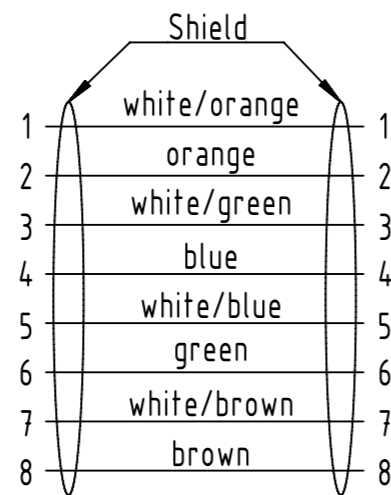


Connector Location A

Connector Location B



Loading Plan
acc. to TIA/EIA 568B



Temperature range:
- Fixed installation: -30°C ... +75°C
- Dynamic installation: -5°C ... +50°C

NOTE:
For lengths < 1.0m:
- relative positioning of the connectors to each other will be as presented in the drawing, however with an admissible angular deviation around cable axis of ± 30°
For lengths ≥ 1.0m:
-relative positioning of the connectors to each other not obligatory
* Cat.6A 10 Gbit/s Ethernet transmission possible for lengths up to 45m

	All rights reserved Department HCS - RO HARTING Customised Solutions D-32339 Espelkamp	Tech. Character.		Free size tol.		According to production drawing	
		Created by MUNTEANV Muntean	Inspected by 402676 Gross	Standardisation MUNTEANV Muntean	Date 2022-04-07	State Final Release	
Title RJ1 cable 4x2xAWG26/7 CAT6A PUR		Type TB		Number 094747471XX		Doc-Key / ECM-Nr. 100170398/UGD/012/P 500000215376	
				Rev. P		Page 1/2	

1	2	3	4	5	6	7	8
A							
B	46	09474747177		17			
	45	09474747124		16			
	44	09474747122		15			
	43	09474747134		14			
	42	09474747133		13.5			
	41	09474747176		13			
	40	09474747132		12.5			
	39	09474747131		12			
	38	09474747130		11.5			
	37	09474747129		11			
	36	09474747121		10			
	35	09474747128		9.5			
	34	09474747120		9			
	33	09474747127		8.5			
	32	09474747119		8			
	31	09474747118		7.5			
	30	09474747117		7			
	29	09474747174		6.5			
	28	09474747116		6			
	27	09474747173		5.5			
	26	09474747115		5			
	25	09474747172		4.75			
	24	09474747171	4x2xAWG26/7, S/FTP, PUR, Cat.7, yellow	4.5			
	23	09474747170		4.25			
	22	09474747114		4			
	21	09474747169		3.75			
	20	09474747168		3.5			
	19	09474747167		3.25			
	18	09474747113		3			
	17	09474747140		2.75			
	16	09474747112		2.5	+0.040		
	15	09474747139		2.25			
	14	09474747111		2			
	13	09474747138		1.75			
	12	09474747110		1.5			
	11	09474747137		1.25			
	10	09474747109		1			
	9	09474747108		0.9			
	8	09474747107		0.8			
	7	09474747106		0.7			
	6	09474747105		0.6			
	5	09474747104		0.5			
	4	09474747103		0.4			
	3	09474747102		0.3	+0.020		
	2	09474747101		0.2			
	1	09474747185		0.15			
F	Cont. no.	Part no.	Type of cable	Dim. a[m]			
	60	09474747199		100*			
	59	09474747184		75*			
	58	09474747180		50*			
	57	09474747183		45			
	56	09474747175		40			
	55	09474747135		35			
	54	09474747136	4x2xAWG26/7, S/FTP, PUR, Cat.7, yellow	31			
	53	09474747125		30			
	52	09474747182		28			
	51	09474747126		25			
	50	09474747181		22			
	49	09474747123		20			
	48	09474747179		19			
	47	09474747178		18			
	Cont. no.	Part no.	Type of cable	Dim. a[m]			
			All Dimensions in mm	Tech. Character.		Free size tol.	According to production drawing
			All rights reserved	Created by MUNTEANV Muntean	Inspected by 402676 Gross	Standardisation MUNTEANV Muntean	Date 2022-04-07
	Department HCS - RO		Title RJ45 cable 4x2xAWG26/7 CAT6A PUR			State Final Release	
	HARTING Customised Solutions D-32339 Espelkamp		Type TB	Number 094747471XX		Doc-Key / ECM-Nr. 100170398/UGD/012/P 500000215376	Rev. P
						Page 2/2	
	1	2	3	4	5	6	7
A3							