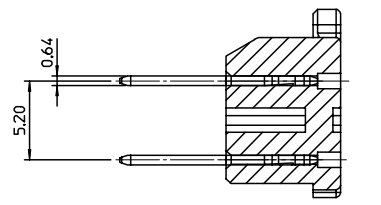
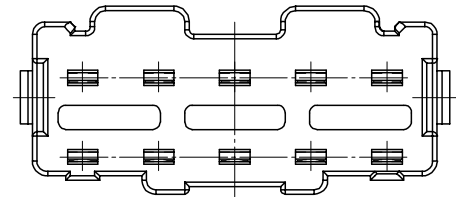
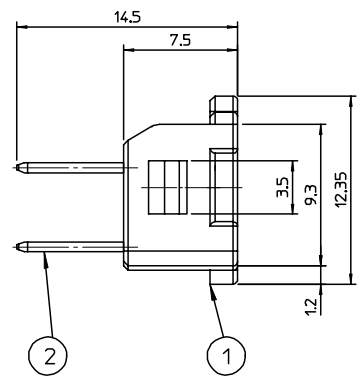
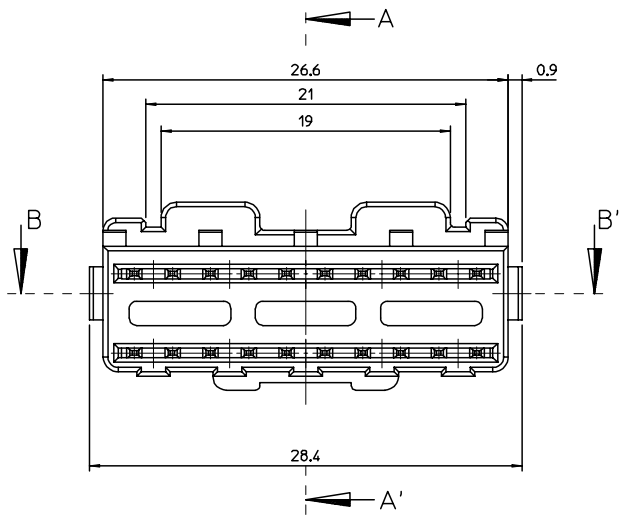
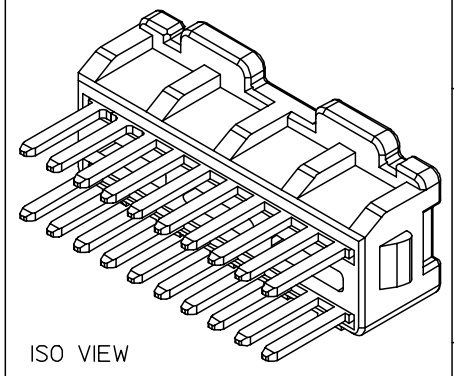
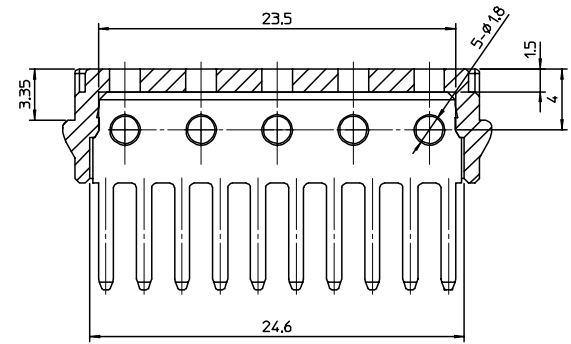
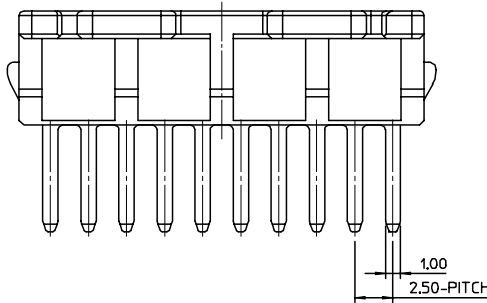


DWG. NO. SD-49058-001
 SIMILAR ITEM
 PROJECT NO.
 DO NOT SCALE DRAWING
 DIMENSION IN METRIC



NO.	PART NAME	PART NO.	MATERIAL	REMARKS
1	JOINT PACK	490582090	POLYESTER	NATURAL
2	040 TERMINAL	497219102	BRASS	PRE-TIN

MATERIAL NO.	ENG. NO.
490582010	49058-2010

NEW RELEASE	ECN NO. KOR2005-0006
	DRWNS.M.KIM 04/09/03
	CHK:K.C.YOON 04/09/03
	APPR:C.W.LEE
DESCRIPTION	REV
	A

QUALITY SYMBOLS
MAJOR
CRITICAL

GENERAL TOLERANCES: (UNLESS SPECIFIED)	
4 PLACES	±0.
3 PLACES	±0.
2 PLACES	±0.15
1 PLACE	±0.20
ANGULAR: ± 1 °	
DRAFT WHERE APPLICABLE MUST REMAIN WITHIN DIMENSIONS	

SCALE 3:1	DESIGN UNITS
	THIRD ANGLE PROJECTION
DRAWN BY & DATE	
S.M.KIM 04/02/09	
CHECKED BY & DATE	
B.C.YOON 04/02/09	
APPROVED BY & DATE	
C.W.LEE 04/02/09	
CAD FILENAME	
SD49058A.MI	

DIMENSIONS:		SHT	REV
<input type="checkbox"/> INCH	<input type="checkbox"/> INCH		
<input checked="" type="checkbox"/> mm	<input checked="" type="checkbox"/> mm		
TITLE:		REVISE ON CAD ONLY	
040 JOINT CONNECTOR ASS'Y 20P			
MOLEX INCORPORATED			
MATERIAL NO.	DRAWING NO.	SHEET NO.	
SEE TABLE	SD-49058-001	10F1	
THIS DRAWING CONTAINS INFORMATION THAT IS PROPRIETARY TO MOLEX INCORPORATED AND SHOULD NOT BE USED WITHOUT WRITTEN PERMISSION.			SIZE
			B