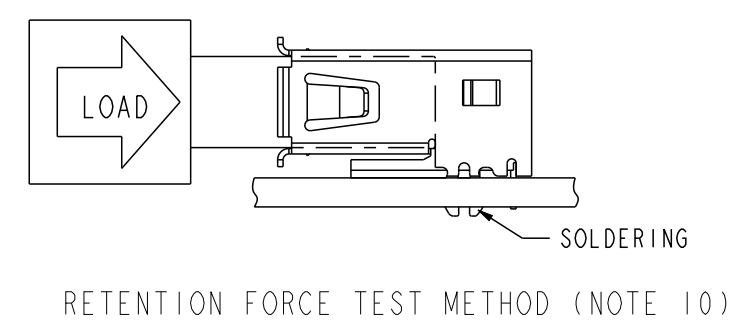
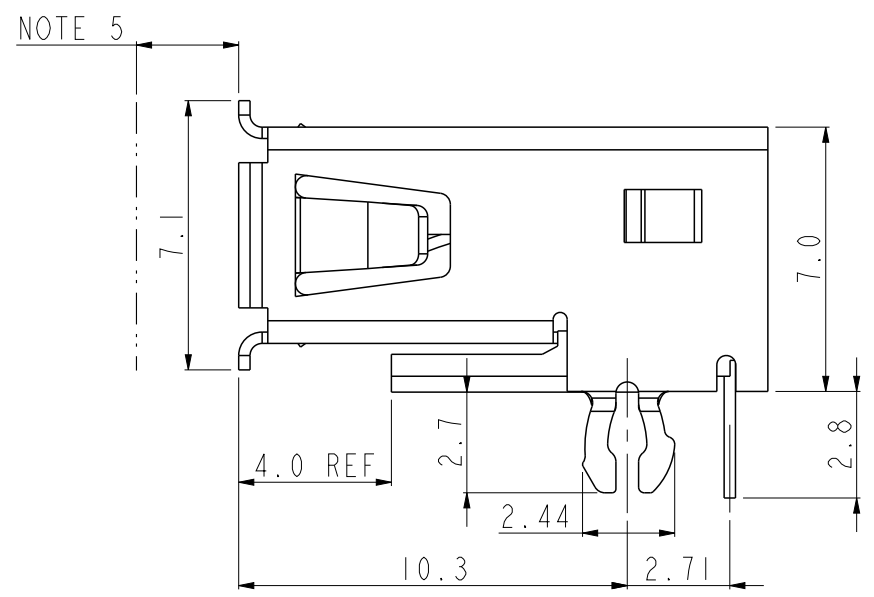
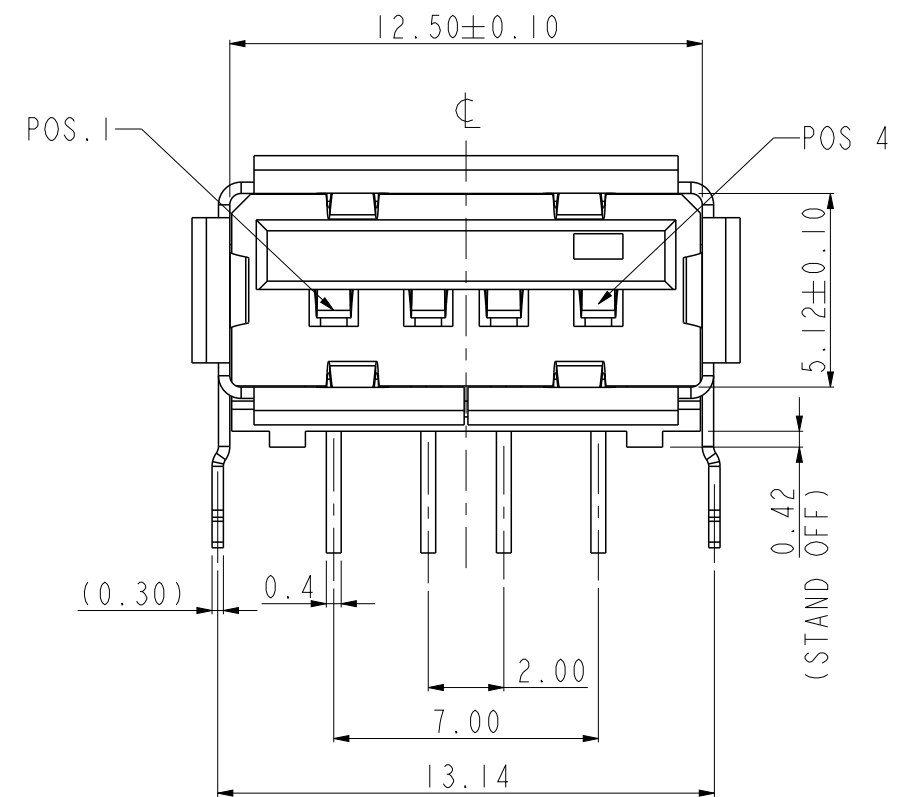


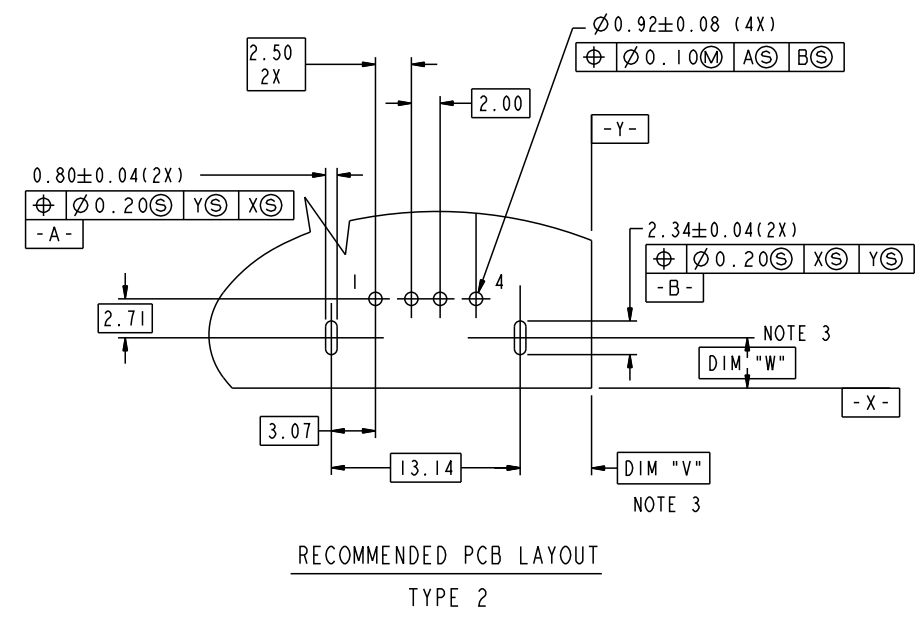
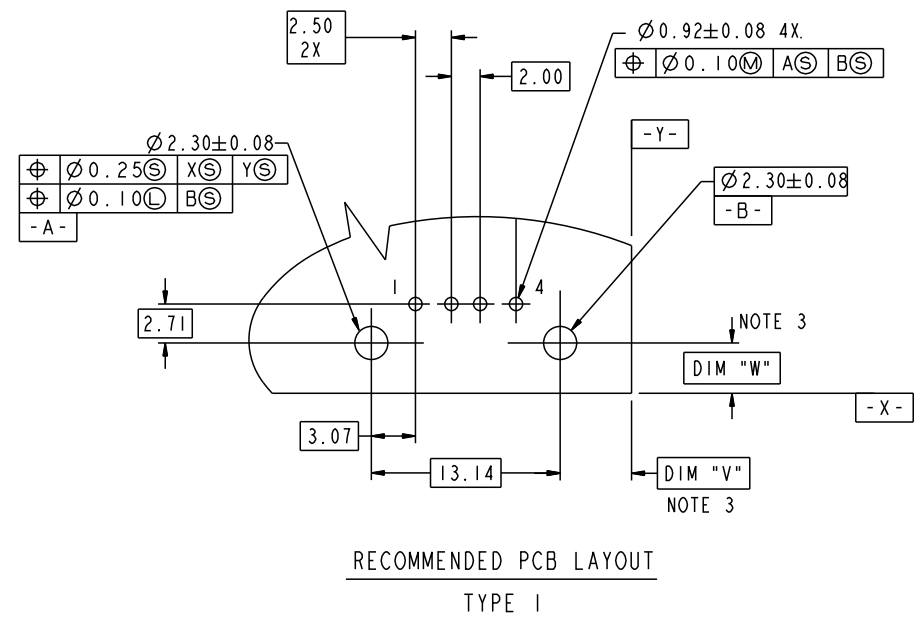
- NOTES:
- MATERIAL:  
CONTACTS: COPPER ALLOY  
SHELL: COPPER ALLOY  
HOUSING: UL 94V-0 RATED, HIGHT TEMPERATURE THERMOPLASTIC;
  - PLATING:  
CONTACTS: SEE PRODUCT NUMBER CODE  
SHELL: SEE PRODUCT NUMBER CODE;
  - DATUM AND BASIC DIMENSIONS ESTABLISHED BY CUSTOMER;
  - RECOMMENDED PC BOARD THICKNESS OF 1.57mm
  - 2.67mm MAXIMUM PANEL THICKNESS IF MOUNTED BEHIND PANEL;
  - PRODUCT SPEC GS-12-095
  - PACKING STANDARD GS-14-920, WILL BE APPLIED FOR LEAD FREE P/N'S;
  - THE PRODUCT MEET EUROPEAN UNION DIRECTIVES AND OTHER COUNTRY REGULATION AS DESCRIBED IN GS-22-008;
  - THE HOUSING WILL WITHSTAND EXPOSURE TO 260~C PEAK TERMERATURE FOR 20 SECONDS IN A CONVECTION, INFRO-RED OR VAPOR PHASE REFLOW OVEN;
  - HOUSING PULL OFF THE SHELL RETENTION FORCE: 250N MIN;
  - THE PRODUCT CAN BE USED PIP PROCESS;
  - THE PRODUCT CAN PASS 16 HOURS SALT SPRAY TEST.



spec ref	dr	Li-Qing Lei	2014/04/21	projection	MM	size	A3	scale	5.000
tolerance std	eng	Li-Qing Lei	2019/06/03			ecn no	ELX-N-33759-1		
TOLERANCES UNLESS OTHERWISE SPECIFIED						product family	rel level	Released	
surface		linear	0.X	±0.3	<b>Amphenol FCI</b> USB RECEPCTACLE R/A, T/H, A TYPE www.fci.com	dwg no	10129475	rev	B
			0.XX	±0.2					
			0.XXX	±0.1					
	angular	0°	±3°	cat. no.	Product - Customer Drw	sheet 1 of 2			

Amphenol FCI

© 2016 AFCI



PRODUCT NUMBER DESCRIPTION

BASE PRODUCT NUMBER	10129475-	X	X	X	X	X	X	LF
HOUSING COLOR								
0 - BLACK								
1 - WHITE								
SHELL TYPE AND SHELL PLATING OPTIONS								
1 - NO BACK SHIELD, NICKEL PLATING ONLY								
EXTENSION								
0 - NONE								
TERMINAL PLATING OPTION								
0 - 1.25um Ni UNDERPLATE								
0.76um GXT CONTACT AREA								
2.50um MATTE TIN TAIL AREA FOR P/N'S								
PACKAGING OPTIONS								
A - TAPE AND REEL								
B - TUBES								
T - TRAY								
DATE CODE								
P - PRINT DATECODE								
N - WHITHOUT DATECODE								
LEAD FREE								

spec ref	dr	Li-Qing Lei	2014/04/21	projection	MM	size	A3	scale	5.000
tolerance std	eng	Li-Qing Lei	2019/06/03			ecn no	ELX-N-33759-1		
TOLERANCES UNLESS OTHERWISE SPECIFIED		chr	-			product family	rel level	Released	
surface	linear	0.X	±0.3		USB RECEPTACLE R/A, T/H, A TYPE	dwg no 10129475	rev		
		0.XX	±0.2				B		
		0.XXX	±0.1						
	angular	0°	±3°	cat. no.	Product - Customer Drw	sheet 2 of 2			