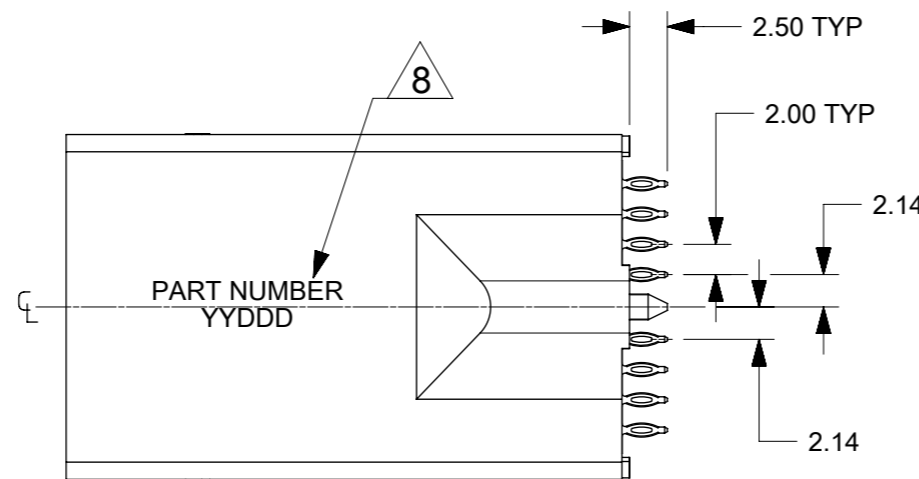
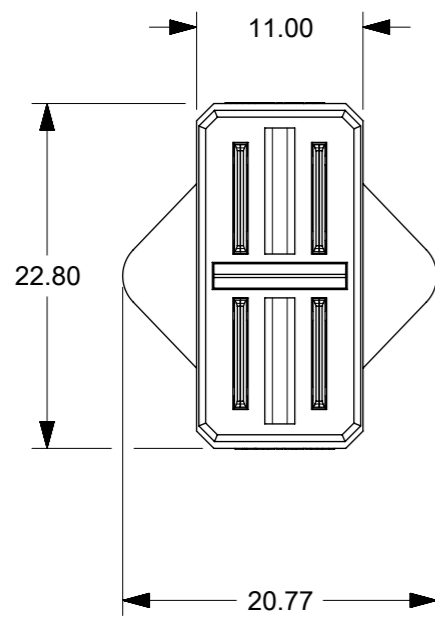
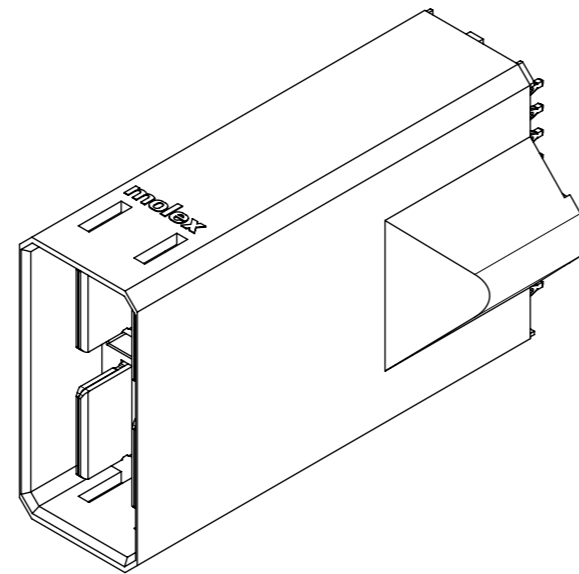
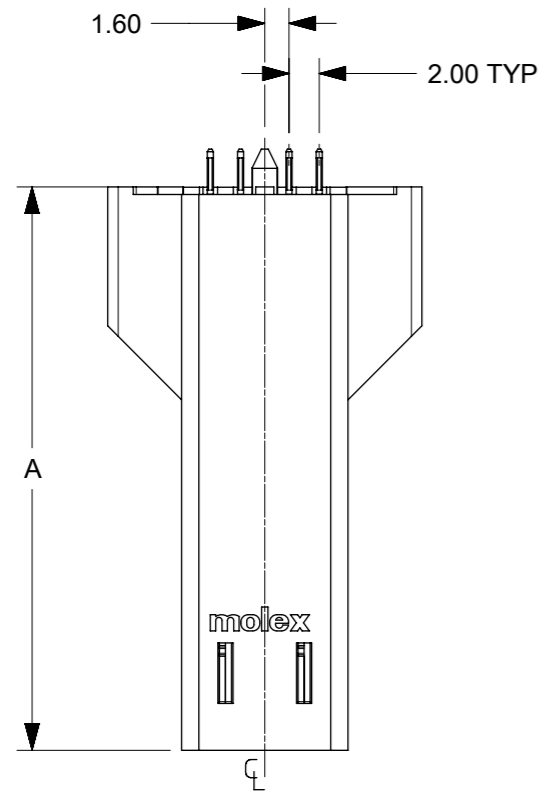


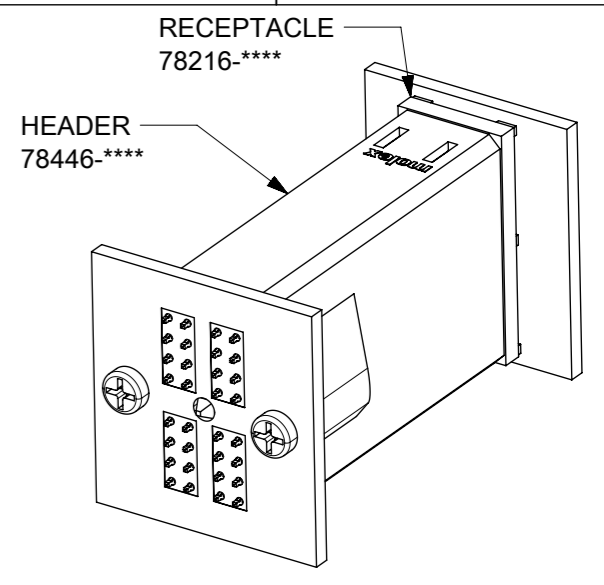
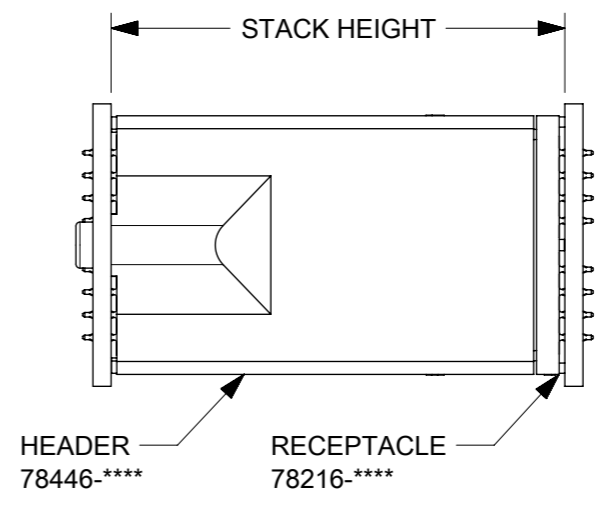
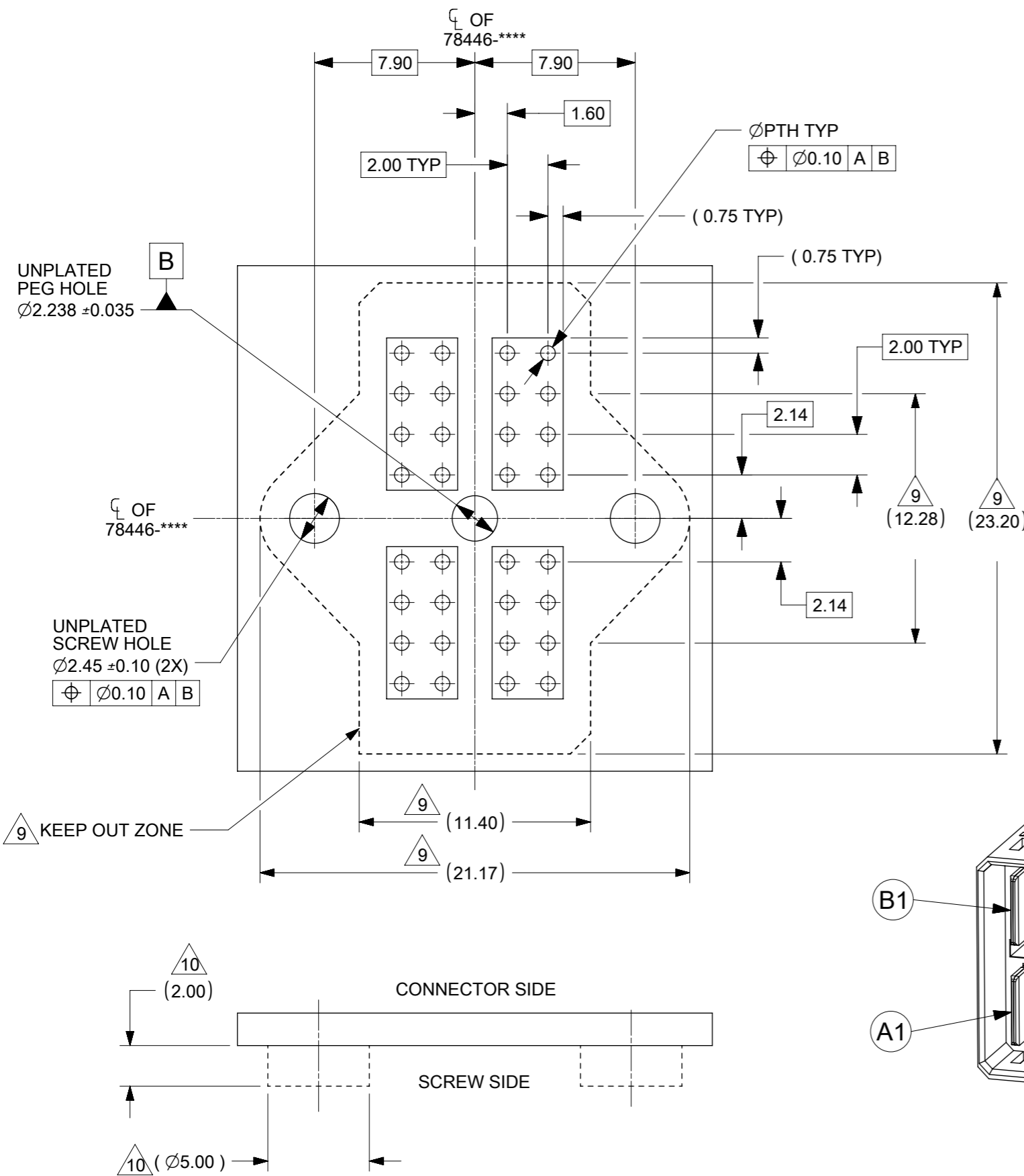
PART NUMBER	STACK HEIGHT	DIMENSION A	PLATING OPTIONS	PACKAGING
78446-3222	32	29.25	TIN PLATING	TRAY
78446-3822	38	35.25		
78446-1022	40	37.25		



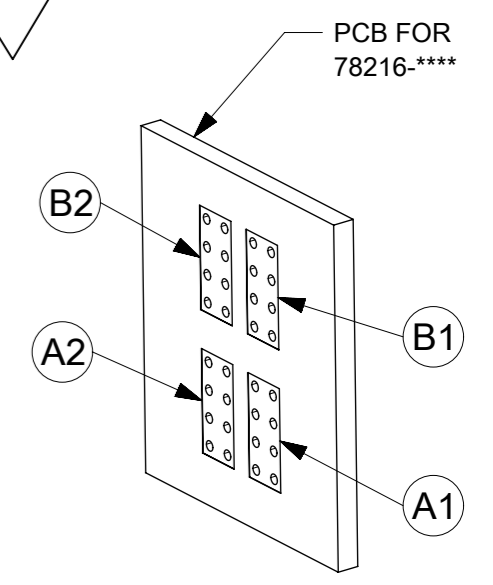
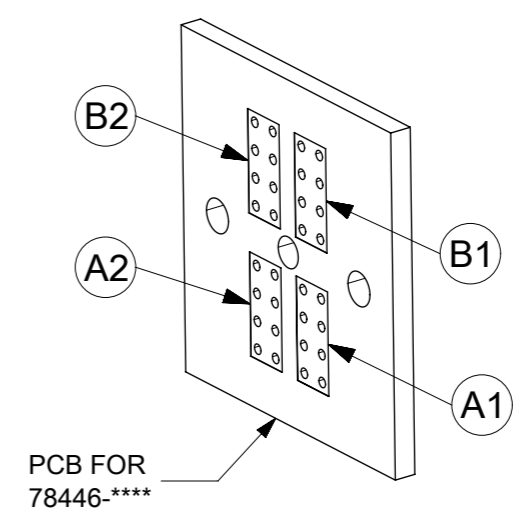
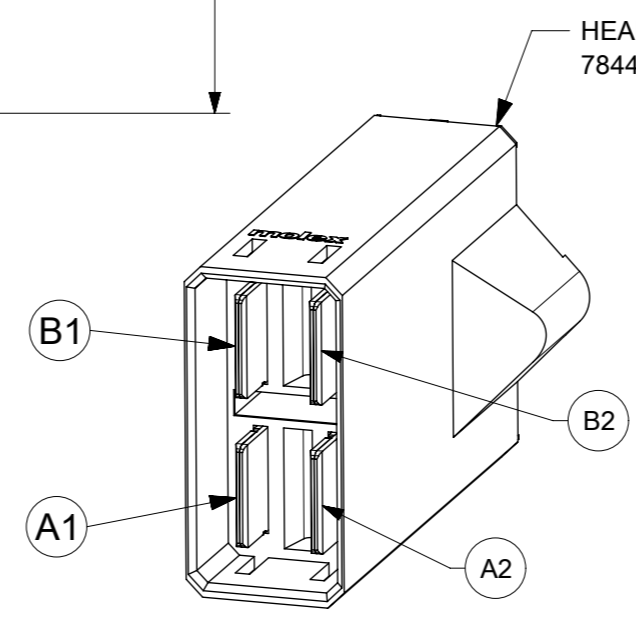
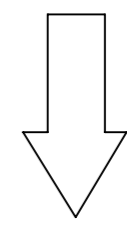
NOTES:

- MATERIAL:
HOUSING - LCP, GLASS FILLED, UL94-V0, COLOR: BLACK
POWER PIN - COPPER ALLOY
- FINISHES:
TIN - 0.76μm MINIMUM GOLD AT CONTACT AND
2.54μm MINIMUM TIN AT SOLDER TAIL AREA OVER
1.27μm MINIMUM NICKEL UNDERPLATE OVERALL.
- PRODUCT SPECIFICATION: PS-78213-001.
- PACKAGING SPECIFICATION: PK-78446-001.
- MATES WITH 78216-****.
- REFER SHEET 2 FOR RECOMMENDED PCB LAYOUT.
- REFER TO MOLEX PRODUCT SPECIFICATION PS-78213-001 FOR PLATED THROUGH-HOLE SPECIFICATIONS.
- PART NUMBER AND DATE CODE (YYDDD) APPROXIMATELY SHOWN.
- KEEP OUT ZONE FROM OTHER COMPONENTS.
- PARTS ARE SHIPPED WITH #2-32 TYPE AB SELF-TAPPING SCREW PART NUMBER 73726-0000.

THIS DRAWING CONTAINS INFORMATION THAT IS PROPRIETARY TO MOLEX ELECTRONIC TECHNOLOGIES, LLC AND SHOULD NOT BE USED WITHOUT WRITTEN PERMISSION		CURRENT REV DESC: MIGRATED TO NX		molex	
DIMENSION UNITS	SCALE				
mm	NTS			IMPACT POWER, 5 PAIR VERTICAL HEADER	
GENERAL TOLERANCES (UNLESS SPECIFIED)				PRODUCT CUSTOMER DRAWING	
ANGULAR TOL	± 3.0°	EC NO:	611162		
4 PLACES	±	DRWN:	RSHIVANANDKE 2019/01/02		
3 PLACES	±	CHK'D:	ABN 2019/02/01		
2 PLACES	± 0.25	APPR:	CWANG25 2019/02/27		
1 PLACE	±	INITIAL REVISION:		DOCUMENT NUMBER	
0 PLACES	±	DRWN:	KJKOH 2008/10/09	SD-78446-001	
		APPR:	SHONG 2008/10/09	DOC TYPE	DOC PART
DRAFT WHERE APPLICABLE MUST REMAIN WITHIN DIMENSIONS		THIRD ANGLE PROJECTION	DRAWING	SERIES	REVISION
			A3-SIZE	78446	E1
		MATERIAL NUMBER	CUSTOMER	SHEET NUMBER	
		SEE TABLE	GENERAL MARKET	1 OF 2	



5 MATED SYSTEM OF 78446 & 78216



CIRCUIT PATH OF MATED SYSTEM

PIN NUMBER ASSIGNMENT
BASED ON HEADER SIDE:
A1, B1 ON THE LEFT
A2, B2 ON THE RIGHT

RECOMMENDED PCB LAYOUT
(COMPONENT SIDE SHOWN)
BOARD THICKNESS: 1.60mm to 4.40mm

THIS DRAWING CONTAINS INFORMATION THAT IS PROPRIETARY TO MOLEX ELECTRONIC TECHNOLOGIES, LLC AND SHOULD NOT BE USED WITHOUT WRITTEN PERMISSION									
DIMENSION UNITS		SCALE		CURRENT REV DESC: MIGRATED TO NX					
mm		NTS		<p>IMPACT POWER, 5 PAIR VERTICAL HEADER</p> <p>PRODUCT CUSTOMER DRAWING</p>					
GENERAL TOLERANCES (UNLESS SPECIFIED)									
ANGULAR TOL		± 3.0 °							
4 PLACES		±							
3 PLACES		±							
2 PLACES		± 0.25							
1 PLACE		±		INITIAL REVISION:		DOCUMENT NUMBER		DOC TYPE DOC PART REVISION	
0 PLACES		±		DRWN: KJKOH 2008/10/09		SD-78446-001		PSD 001 E1	
DRAFT WHERE APPLICABLE MUST REMAIN WITHIN DIMENSIONS		THIRD ANGLE PROJECTION		DRAWING		SERIES		MATERIAL NUMBER CUSTOMER SHEET NUMBER	
				A3-SIZE		78446		SEE TABLE GENERAL MARKET 2 OF 2	