



touch screen



USB 2.0



AUDIO



HDMI

VGA

IP65

OUTDOOR RATED

IP65 WATERPROOF
SUNLIGHT READABLE
7" MONITOR

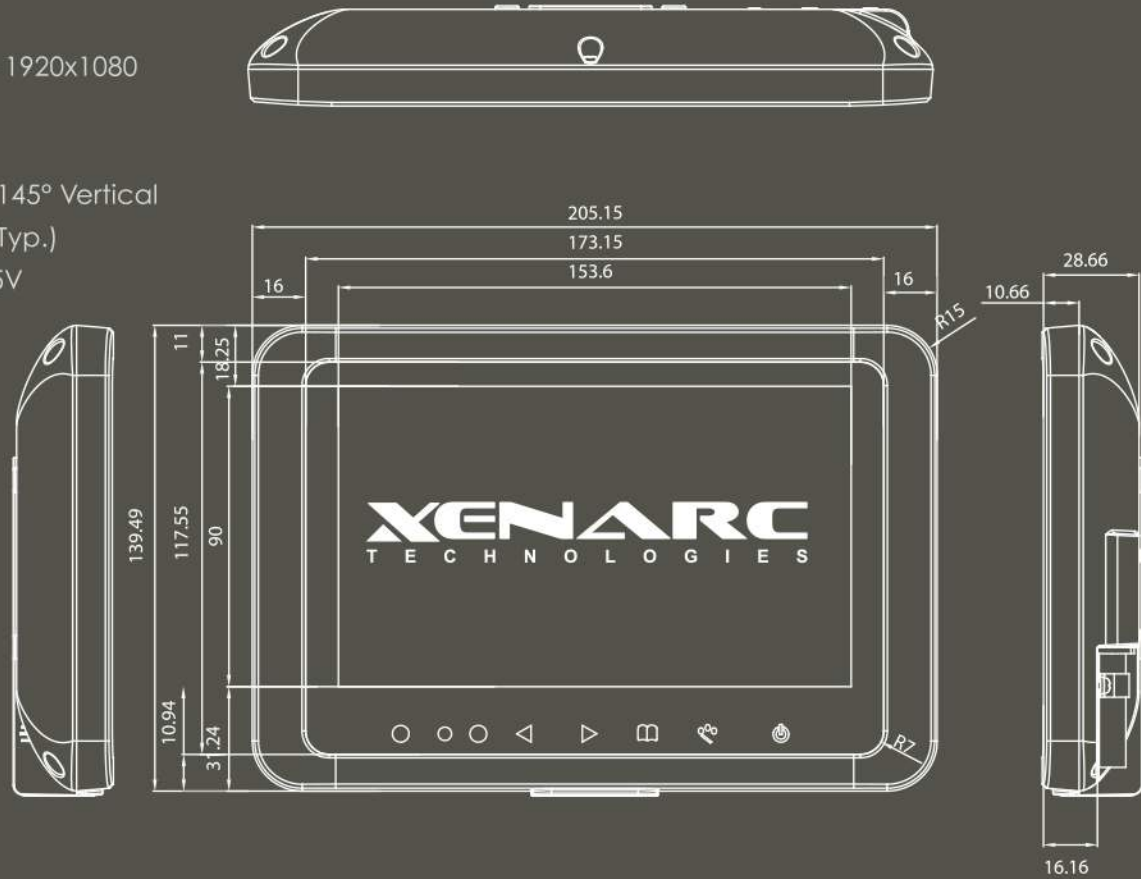


XENARC
TECHNOLOGIES



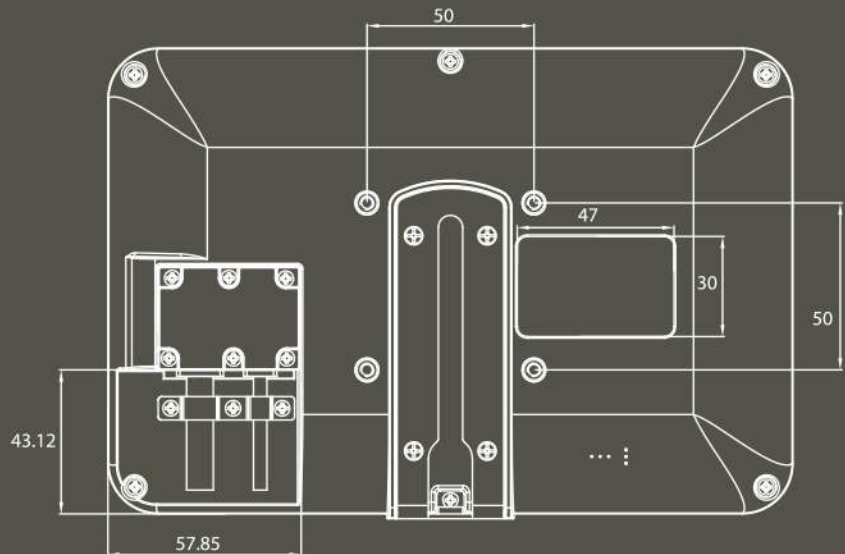
- ▶ IP65 Waterproof and Dust Proof Casing
- ▶ Projected Capacitive Touchscreen option - USB
- ▶ Waterproof Speaker
- ▶ VGA, HDMI, DVI, and AV Inputs
- ▶ 16x9 Aspect Ratio
- ▶ LED Backlight, Ambient Light Sensor
- ▶ High Performance Image and Video Signal Processor
- ▶ Vertical and Horizontal image flip
- ▶ Front buttons disabling capability
- ▶ Chip Monolithic Ceramic Capacitors for improved durability
- ▶ AV2 Autoswitching upon signal detection
- ▶ VESA 50mm Standard
- ▶ 26 Pin heavy-duty connector with connector locking
- ▶ Brightness - 1000 cd/m² Sunlight Readable
- ▶ Anti-Reflective and Anti-Fingerprint Coating

Physical Resolution: 1024x600
 Supported Resolution: 640x480 - 1920x1080
 Brightness: 1000 cd/m²
 Contrast Ratio: 700:1
 Viewing Angle: 150° Horizontal, 145° Vertical
 Response Time (Tr/Tf): 10/15ms (Typ.)
 Operating Voltage: DC 10V ~ 35V
 Power Consumption: <10W
 Operating Temp: -4°F ~ 158°F
 Storage Temp: -22°F ~ 176°F
 Weight: 2.64lbs
 24 Month Warranty
 All measurements are in [mm]



IP65 WATERPROOF
 SUNLIGHT READABLE

7" MONITOR



CERTIFICATIONS



RoHS



TEL: 949.380.8898 FAX: 949.380.0888
 EMAIL: SALES@XENARC.COM