

4

3

2

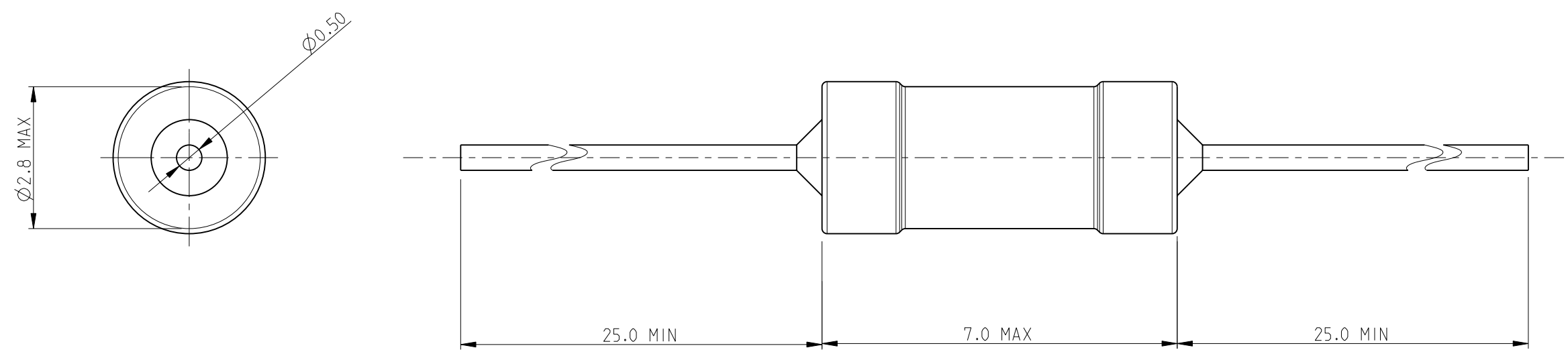
1

THIS DRAWING IS UNPUBLISHED. RELEASED FOR PUBLICATION 2010

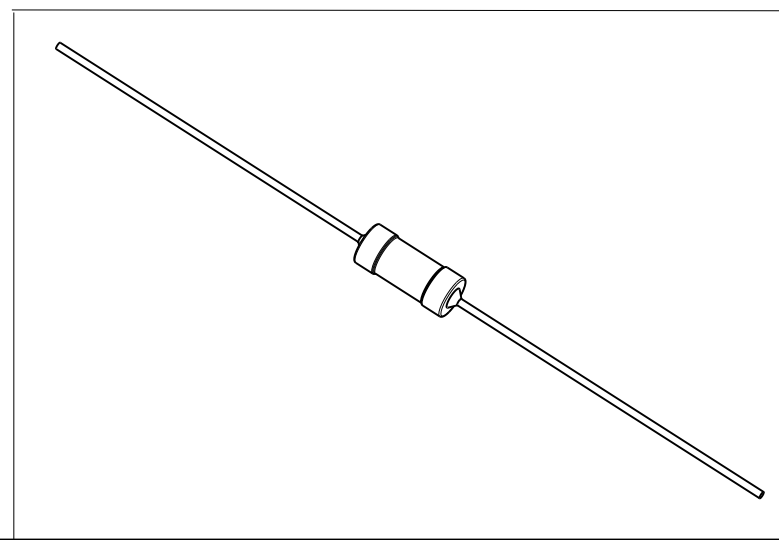
© COPYRIGHT 2010 BY TYCO ELECTRONICS CORPORATION. ALL RIGHTS RESERVED.

| LOC | DIST | REVISIONS | | | |
|-----|------|-------------|-------------|-----------|---------|
| P | LTR | DESCRIPTION | DATE | DWN | APVD |
| E | B | BA | NEW RELEASE | 05AUG2010 | PT St.P |

FOR FURTHER INFORMATION SEE DATA SHEET FOR SERIES SC - AXIAL LEADED POWER INDUCTORS



RoHS Compliant



| | | | | |
|---|--|------------------------------|--|--------------------|
| <small>THIS DRAWING IS A CONTROLLED DOCUMENT FOR TYCO ELECTRONICS CORPORATION IT IS SUBJECT TO CHANGE AND THE CONTROLLING ENGINEERING ORGANIZATION SHOULD BE CONTACTED FOR THE LATEST REVISION.</small> | | DWN 05AUG2010 PARUSURAM.T | Tyco Electronics Corporation Dorcan, Swindon, SN3 5HH | |
| DIMENSIONS: mm | | CHK 05AUG2010 ALLAN.P | NAME AXIAL LEADED POWER INDUCTORS SERIES SC30 | |
| | | APVD 05AUG2010 STEPHEN.P | PRODUCT SPEC - | |
| TOLERANCES UNLESS OTHERWISE SPECIFIED: 0 PLC ±0.2 1 PLC ±0.1 2 PLC ±- 3 PLC ±- 4 PLC ±- ANGLES ±5° | | APPLICATION SPEC - | SIZE A3 CAGE CODE 00779 DRAWING NO C-1624017 | RESTRICTED TO - |
| MATERIAL - FINISH - | | WEIGHT - | CUSTOMER DRAWING SCALE 10:1 SHEET 1 OF 1 REV BA | |