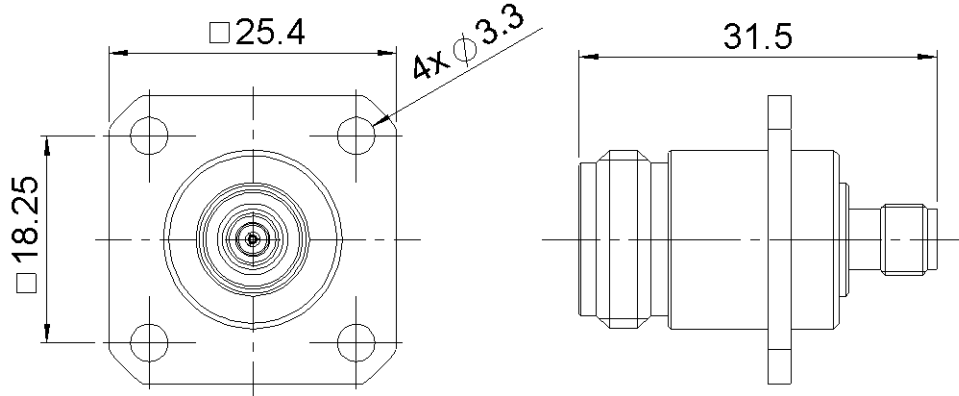
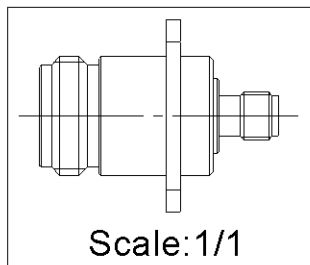
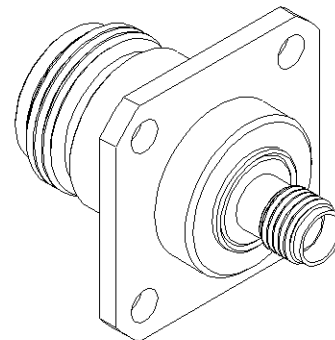
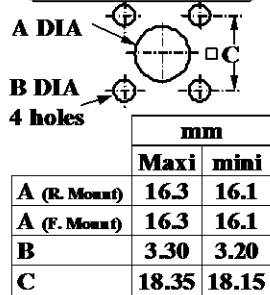


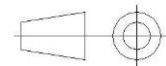
PAGE 1/2	ISSUE 06-12-16D	SERIES ADAPT	PART NUMBER R191381000
----------	-----------------	--------------	------------------------



**PANEL CUT OUT**



All dimensions are in mm.



COMPONENTS	MATERIALS	PLATING (µm)
Body	<b>BRASS.</b>	<b>NICKEL .</b>
Center contact	<b>BERYLLIUM COPPER</b>	<b>GOLD OVER NICKEL</b>
Outer contact	-	-
Insulator	<b>PTFE</b>	-
Gasket	-	-
Others parts	<b>BERYLLIUM COPPER</b>	<b>NICKEL</b>
-	-	-
-	-	-

PAGE 2/2	ISSUE 06-12-16D	SERIES ADAPT	PART NUMBER R191381000
----------	-----------------	--------------	------------------------

**PACKAGING**

Standard	Unit	Other
1		Contact us

**ELECTRICAL CHARACTERISTICS**

Impedance		<b>50</b>	$\Omega$
Frequency		<b>0-11</b>	GHz
VSWR	<b>1.30</b>	<b>+</b>	<b>0,000</b> x F(GHz) Maxi
Insertion loss		<b>0.05</b>	$\sqrt{F}$ (GHz) dB Maxi
RF leakage		<b>101</b>	- F(GHz) dB Maxi
Voltage rating		<b>500</b>	Veff Maxi
Dielectric withstanding voltage		<b>1000</b>	Veff mini
Insulation resistance		<b>5000</b>	M $\Omega$ mini

**ENVIRONMENTAL**

Operating	<b>-55/+155</b>	$^{\circ}\text{C}$
Hermetic seal	<b>NA</b>	Atm.cm3/s
Panel leakage	<b>NA</b>	

**MECHANICAL CHARACTERISTICS**

Center contact retention			
Axial force – Mating End		<b>*18</b>	N mini
Axial force – Opposite end		<b>*18</b>	N mini
Torque		<b>NA</b>	N.cm mini

**SPECIFICATION**

**OTHER CHARACTERISTICS**

Recommended torque			
Mating	<b>N</b>	<b>0</b>	N.cm
	<b>SMA</b>	<b>0</b>	N.cm
	<b>-</b>	<b>0</b>	N.cm
Panel nut		<b>NA</b>	N.cm
Mating life		<b>500</b>	Cycles mini
Weight		<b>35,6900</b>	g

\*out of SMA CDC