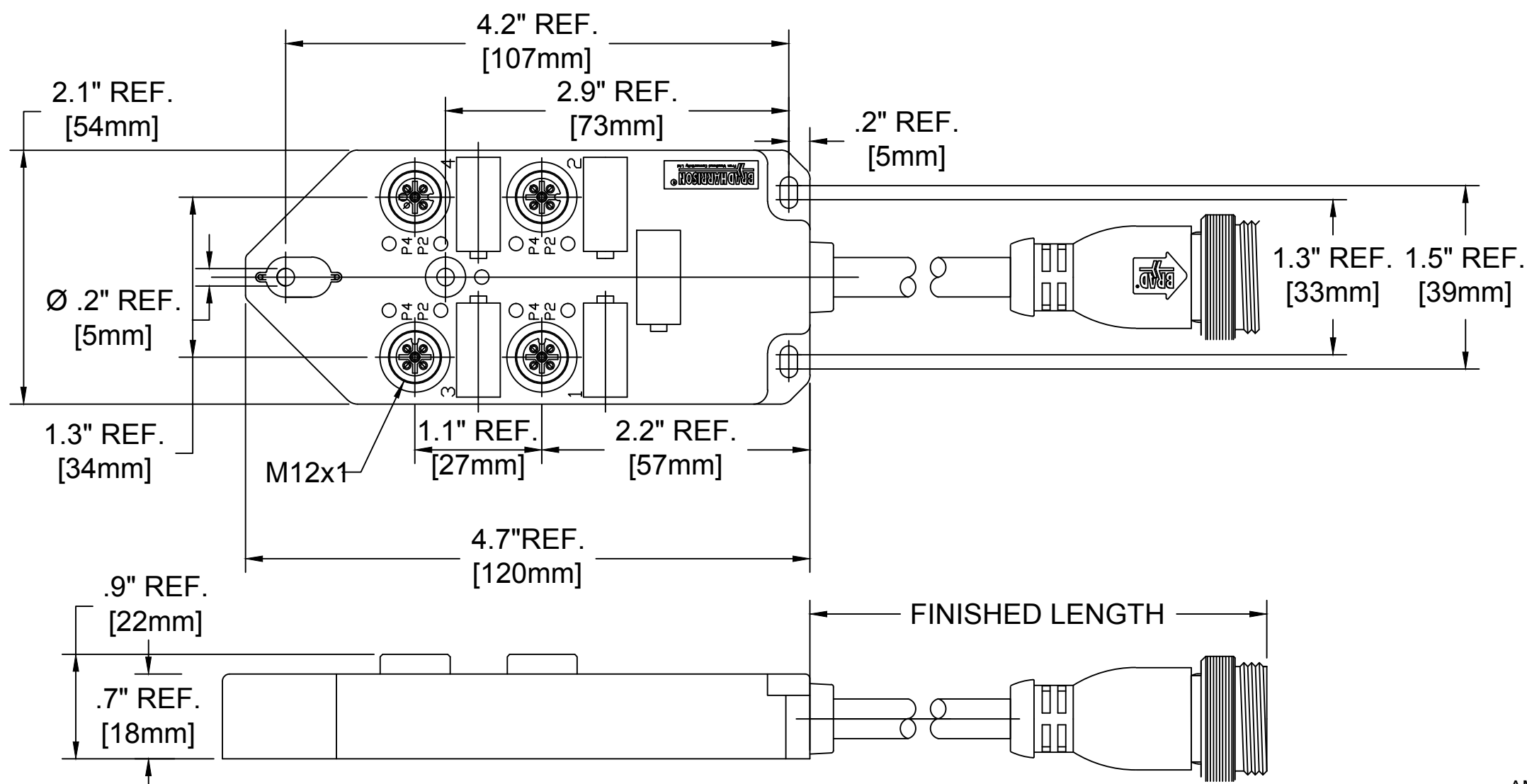


MATERIAL NUMBER	OLD PART NUMBER	FINISHED LENGTH
1201140192	BTY412N-FBP-05	5M +165.1mm -0 [16.4FT. +6.5IN -0]

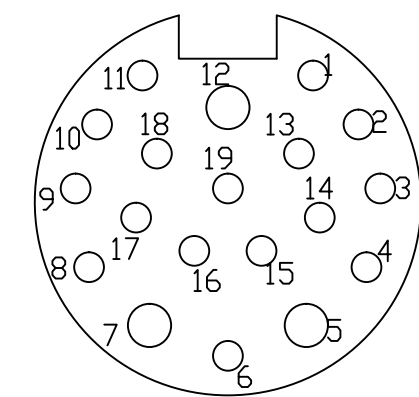
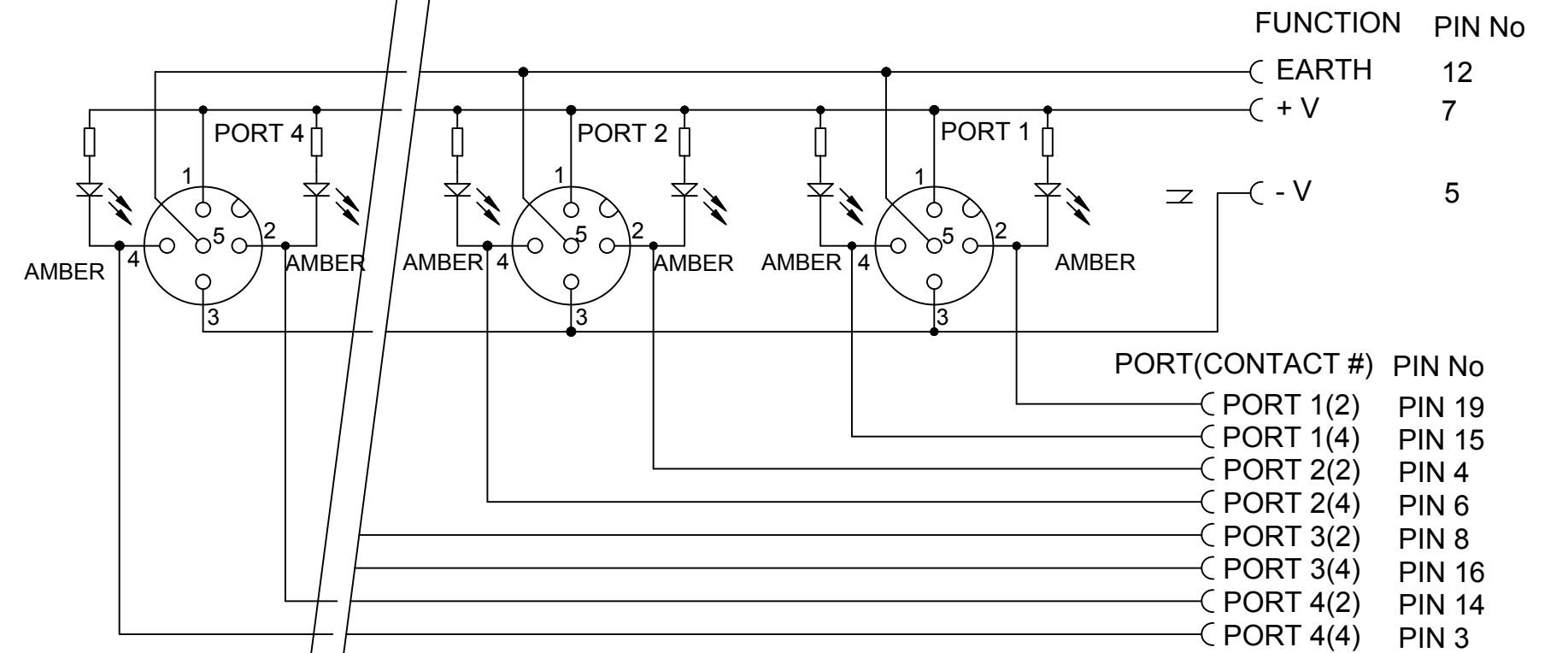


BTY412N-FBP-05

Black PUR CABLE

cable length
05 ---- 5 meters
10 ---- 10 meters

WIRING DIAGRAM



MALE FACE SIDE

COMPONENT	MATERIAL	FINISH
INSERT	PBT	YELLOW
CONTACT SOCKET	COPPER ALLOY	GOLD OVER NICKEL
O-RING	VITON	RED
RECEPTACLE SHELL	BRASS	NICKEL PLATED
HOUSING	PBT	YELLOW
LABEL	ABS	WHITE
LENS	NYLON	CLEAR
CABLE	PUR	BLACK
VOLTAGE RATING	10 - 30 VDC	
AMPERAGE RATING	4 AMPS	
PROTECTION	IP67	
OPERATING TEMPERATURE	-5°C TO 80°C	

RELEASE EC NO: ICG2014-0508 DRWN: GGUSTAFS 2013/10/30 CH'KD: VOU APPR: BWOODMAN2013/11/01	QUALITY SYMBOL	$\nabla=0$ $\nabla C=0$
	DESCRIPTION	

	GENERAL TOLERANCES (UNLESS SPECIFIED)	
	mm	INCH
4 PLACES	±---	±---
3 PLACES	±---	±.005
2 PLACES	±0.13	±.010
1 PLACE	±0.25	±.020
ANGULAR ±.5°		
DRAFT WHERE APPLICABLE MUST REMAIN WITHIN DIMENSIONS		

DIMENSION STYLE		SCALE	DESIGN UNITS	THIRD ANGLE PROJECTION
IN/MM		NTS	INCH	
DRAWN BY	DATE	TITLE		
GGUSTAFS	2013/09/06	4 PORT MIC MPIS TOP MOUNT NPN 19P MALE MINI HR CABLE		
CHECKED BY	DATE			
VOU	2013/10/10	MOLEX INCORPORATED		
APPROVED BY	DATE	MATERIAL NO.	DOCUMENT NO.	SHEET NO.
BWOODMAN	2013/11/01	SEE CHART	SD-120114-096	1 OF 1
SIZE	THIS DRAWING CONTAINS INFORMATION THAT IS PROPRIETARY TO MOLEX INCORPORATED AND SHOULD NOT BE USED WITHOUT WRITTEN PERMISSION			
C				