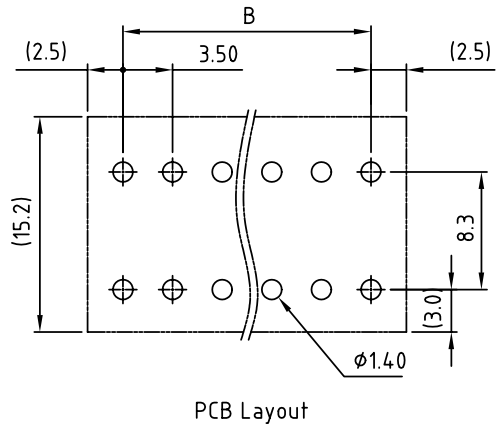
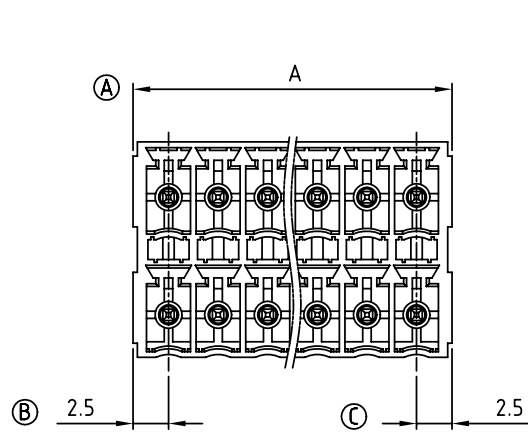
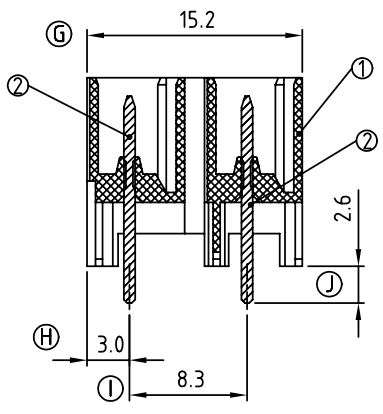
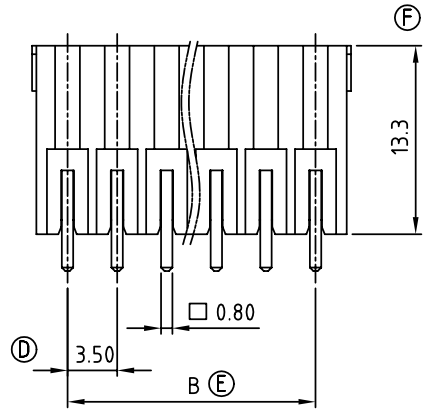


SIGN	DATE	DESCRIPTION	APPROVER
△	9/17'10	How to order is changed	Runner
THIS IS CAD DRAWING, DO NOT REVISE MANUALLY!!!			



- Material:
- Item ① Terminal(housing): PA66 30% GF (UL94V-0)
 - Item ② Contact pin of short: copper.tin plated

- Electrical: cULus
- Voltage rating: 160V
 - Current rating: 5.5A
 - Withstanding Voltage: 1.32 KV
 - Operating temperature: -40°C to +115°C
 - Soldering temperature: 250°C ±10°C/5 Sec
 - APPROVAL:



KE xx 1 1 x 0 xxxx G

- No. OF POLES ————
- 04: 2x2 POLES
 - 06: 2x3 POLES
 - ⋮
 - 48: 2x24 POLES
- COLOR ————
- 0 Black (RAL9005)
 - 2 Red (RAL3001/D)
 - 3 Orange(RAL2011/P)
 - 4 Yellow(RAL1018/A)
 - 5 Green(RAL6018/T)
 - 6 Blue (RAL5015/A)
 - 8 Grey(RAL7035/D)
- G: Pb<40000ppm
- A00 0: "@" Mark
- △ A00 A: "ANYTEK" Mark
- Any special item by customer request. please contact sales department.

POLE		2x2	2x3	2x4	2x5	2x6	2x7	2x8	2x9	2x10	2x11	2x12
A		8.50	12.00	15.50	19.00	22.50	26.00	29.50	33.00	36.50	40.00	43.50
B		3.50	7.00	10.50	14.00	17.50	21.00	24.50	28.00	31.50	35.00	38.50
Tol.		±0.15					±0.20					
POLE	2x13	2x14	2x15	2x16	2x17	2x18	2x19	2x20	2x21	2x22	2x23	2x24
A	47.00	50.50	54.00	57.50	61.00	64.50	68.00	71.50	75.00	78.50	82.00	85.50
B	42.00	45.50	49.00	52.50	56.00	59.50	63.00	66.50	70.00	73.50	77.00	80.50
Tol.		±0.25					±0.30					

ANYTEK				CUSTOMER COPY			
ALL RIGHTS RESERVED. REPRODUCTION OR ISSUE TO THIRD PARTIES IN ANY FORM WHATSOEVER IS NOT PERMITTED WITHOUT WRITTEN AUTHORITY FROM THE PROPRIETOR. PROPERTY OF ANYTEK TECHNOLOGY CO., LTD							
TITLE		KE 3.5mm W/O Flange Series (Vertical) DIP type					
PART NO.		KExx11x0xxxxG			DWG NO.		8KE0010
APPROVED		CHECKED	DESIGNED	DRAWN	CUST NO.		Tolerance
							X. ±0.50
							X.X ±0.30
							X.XX ±0.10
							X° ±1°
			Runner 2010.09.17	Runner 2010.04.12			UNIT: mm
					SHEET: 01/01		SCALE: NONE
							REV.: C