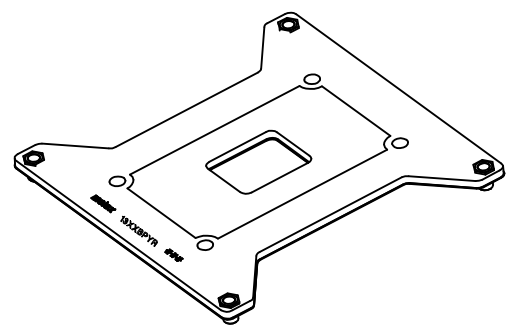
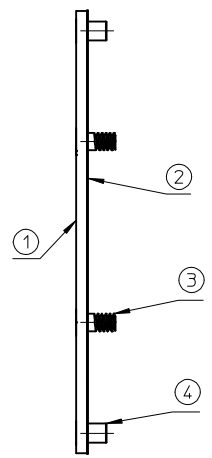
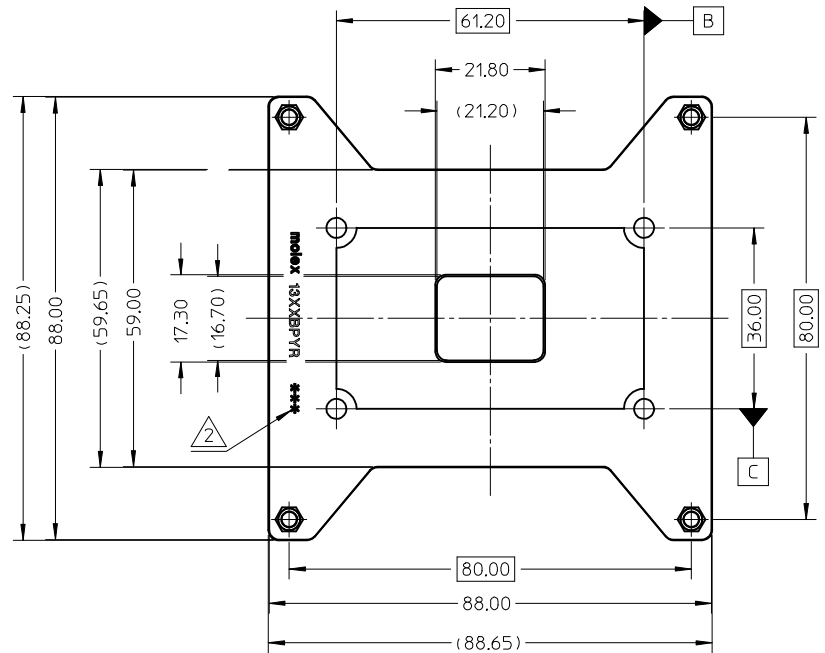
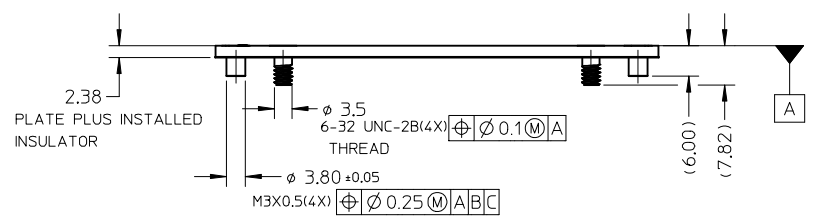


10 9 8 7 6 5 4 3 2 1



NOTES:
 1. MATE WITH LGA13XX ILM ASSEMBLY
 DETAIL REFER TO SD-47593-900
 2. DATE CODE
 3. THE PARTS 475937000 COMPLIANT TO RoHS
 DIRECTIVE 2002/95/EC AND ELV 2000/53/EC



BILL OF MATERIAL			
ITEM NO	QTY	DESCRIPTION	MATERIAL
	1	BACK PLATE ASSEMBLY FOR SERVER	
①	1	BACK PLATE	STEEL WITH NICKEL PLATING
②	1	BACK PLATE INSULATOR	FORMEX GK-5BK
③	4	BACK PLATE SCREW	STEEL WITH NICKEL PLATING
④	4	BACK PLATE NUT	STEEL

ENTER DESCRIPTION EC NO: SH2013-0064 DRWN: YXZHENG 2012/10/11 CHKD: APPR: AYIN 2013/02/06	QUALITY SYMBOLS	GENERAL TOLERANCES (UNLESS SPECIFIED)	DIMENSION STYLE	SCALE	DESIGN UNITS	THIRD ANGLE PROJECTION
	$F_A=0$ $F_G=0$ $F_B=0$	mm INCH 4 PLACES ± --- ± --- 3 PLACES ± --- ± --- 2 PLACES ± 0.2 ± --- 1 PLACE ± 0.3 ± --- ANGULAR ± 1 °	MM ONLY	2:1	METRIC	
	DESCRIPTION	DRAWN BY	DATE	TITLE		
		YOSUN	2008/10/13	13XX CKT SOCKET BACK PLATE ASSEMBLY FOR SERVER APPLICATION		
	CHECKED BY	DATE	MOLEX INCORPORATED			
	AYIN	2010/10/22	MATERIAL NO. 47593-7000			
			DOCUMENT NO. SD-47593-700			
			SHEET NO. 1 OF 1			
			THIS DRAWING CONTAINS INFORMATION THAT IS PROPRIETARY TO MOLEX INCORPORATED AND SHOULD NOT BE USED WITHOUT WRITTEN PERMISSION			

9 8 7 6 5 4 3 2 1