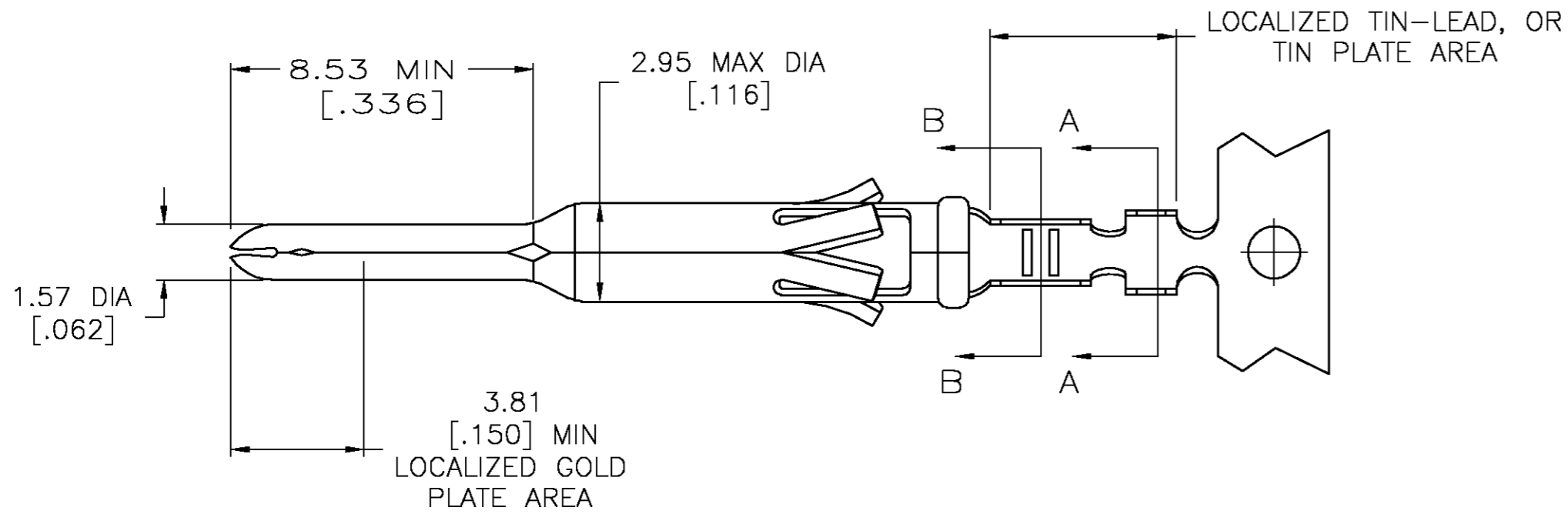
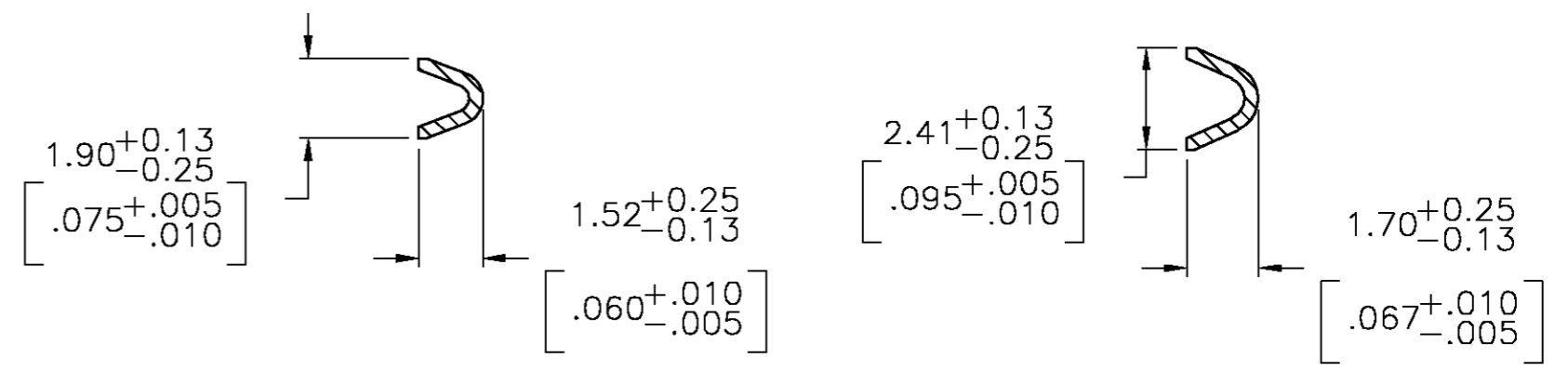
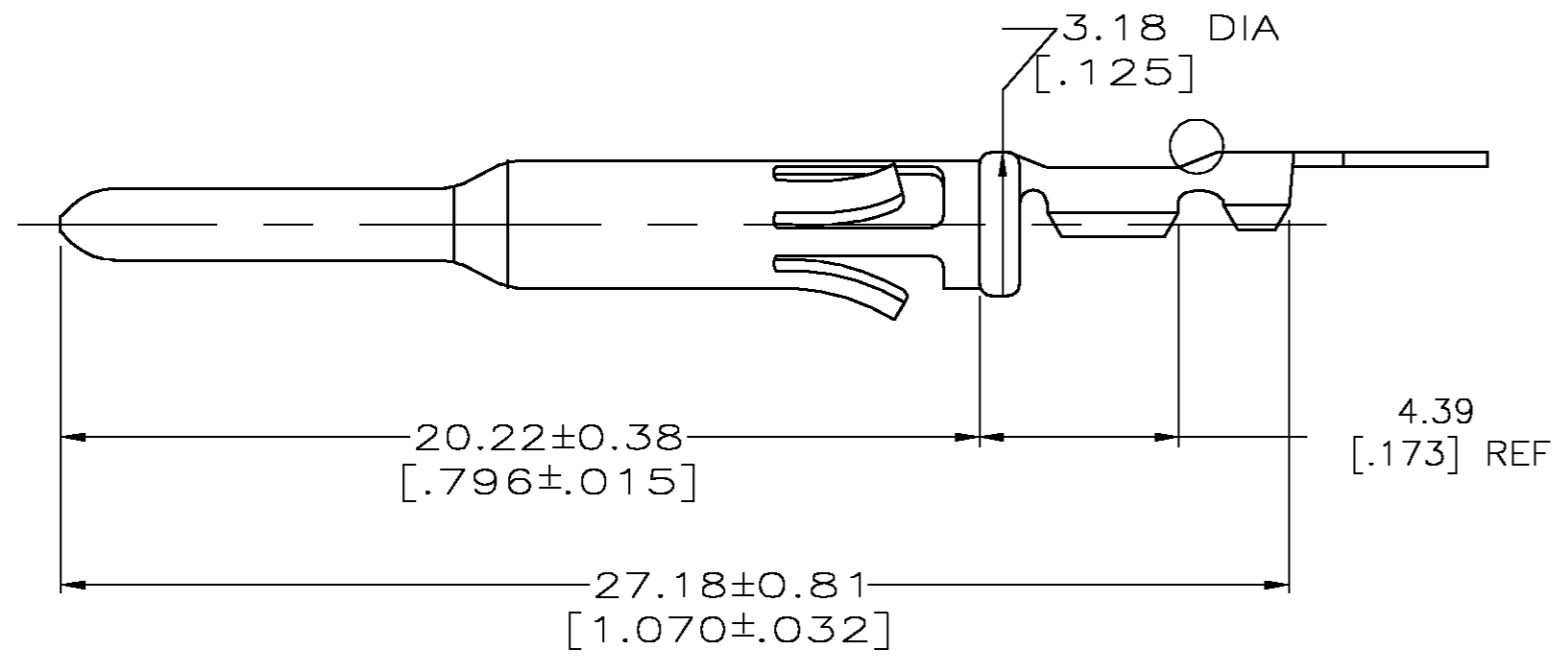
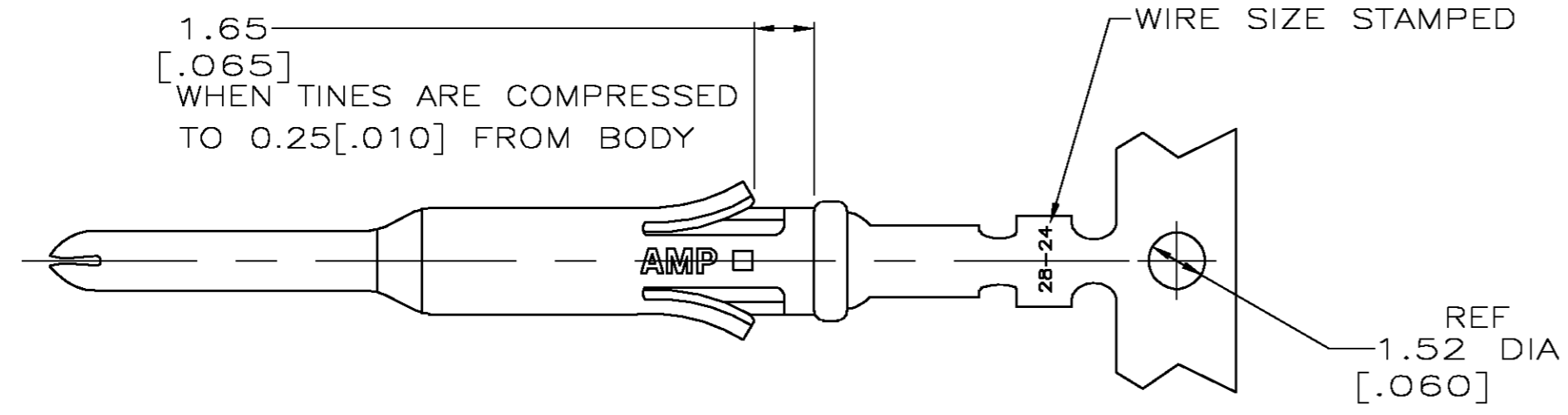


THIS DRAWING IS UNPUBLISHED. RELEASED FOR PUBLICATION
 © COPYRIGHT BY TYCO ELECTRONICS CORPORATION. ALL RIGHTS RESERVED.

| LOC | | DIST | | REVISIONS | | | |
|-----|-----|-------------|--|--------------------------|----------|------|----|
| P | LTR | DESCRIPTION | | DATE | DWN | APVD | |
| FT | 0 | H | | REVISED PER 0G3B-1175-04 | 12/21/04 | SS | GS |



1. WIRE RANGE 28-24 AWG.
 2. INSULATION RANGE 0.89-1.40 [.035-.055] DIA.
 3. FOR LOOSE PIECE PART SEE DWG 66595.
4. 0.76um [.000030] MIN GOLD IN LOCALIZED GOLD PLATE AREA, 1.27um [.000050] MIN TIN-LEAD IN LOCALIZED TIN-LEAD PLATE AREA, BOTH OVER 1.27um [.000050] MIN NICKEL.
 5. TIN PLATED.
 6. GOLD PLATING PER MIL-G-45204, TIN PER MIL-T-10727 AND NICKEL PER QQ-N-290.
 7. 0.76um [.000030] MIN GOLD IN LOCALIZED GOLD PLATE AREA, 1.27um [.000050] MIN TIN IN LOCALIZED TIN PLATE AREA, BOTH OVER 1.27um [.000050] MIN NICKEL.

| DESCRIPTION | FINISH | PART NO. |
|-----------------------------------|--------|-----------|
| REVERSE REELED FOR MINI-APPICATOR | 7 | 1-66585-0 |
| REVERSE REELED FOR MINI-APPICATOR | 4 | 66585-4 |
| - | 4 | 66585-3 |
| REVERSE REELED FOR MINI-APPICATOR | 5 | 66585-2 |
| - | 5 | 66585-1 |

THIS DRAWING IS A CONTROLLED DOCUMENT.

| | |
|--|---|
| DWN: D.HARDY 06/15/94 | Tyco Electronics Corporation Harrisburg, Pa 17105-3608 |
| CHK: R.STONE 06/22/94 | |
| DIMENSIONS: mm [INCHES] | NAME: CONTACT, PIN, STRIP, TYPE VI, MULTIMATE |
| TOLERANCES UNLESS OTHERWISE SPECIFIED: | SIZE: A2 CAGE CODE: 00779 C=66585 |
| 0 PLC ± - | DRAWING NO: C=66585 |
| 1 PLC ± - | RESTRICTED TO: - |
| 2 PLC ± 0.13 [.005] | SCALE: 6:1 SHEET 1 OF 1 REV H |
| 3 PLC ± - | |
| 4 PLC ± - | |
| ANGLES ± - | |
| FINISH: SEE TABLE 6 | |
| MATERIAL: BRASS PER MIL-C-50 | CUSTOMER DRAWING |