

MATERIALS AND FINISHES;

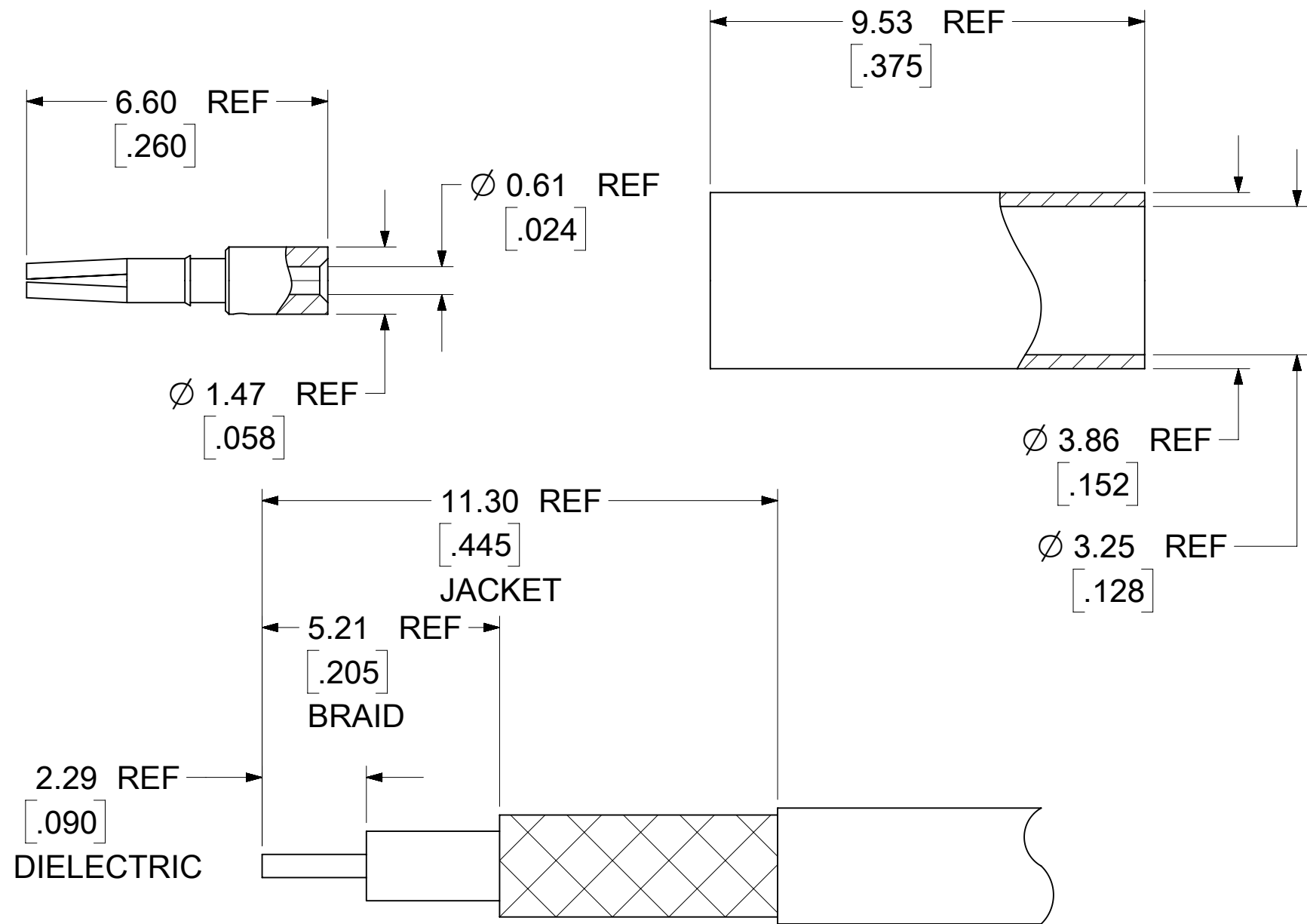
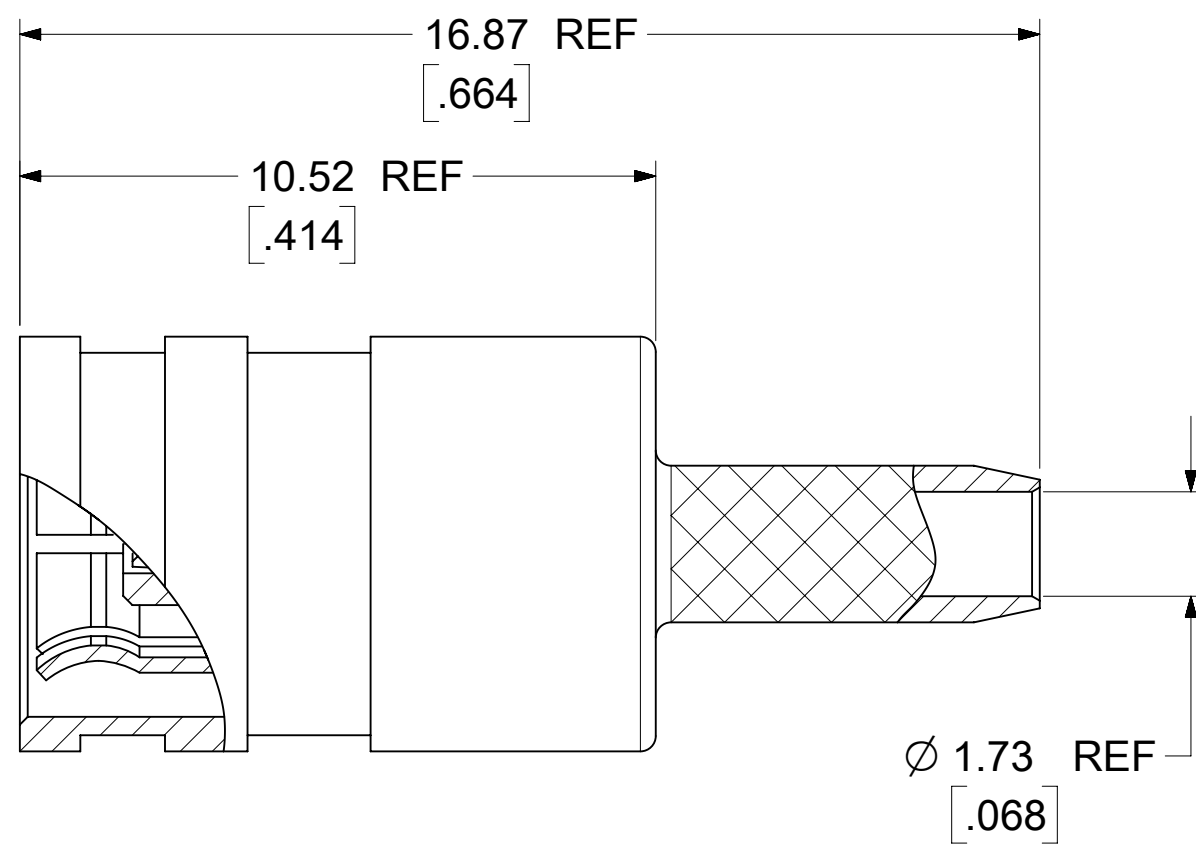
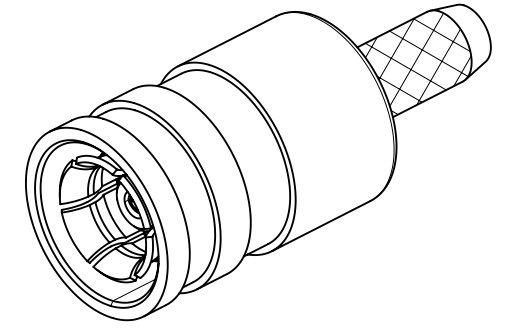
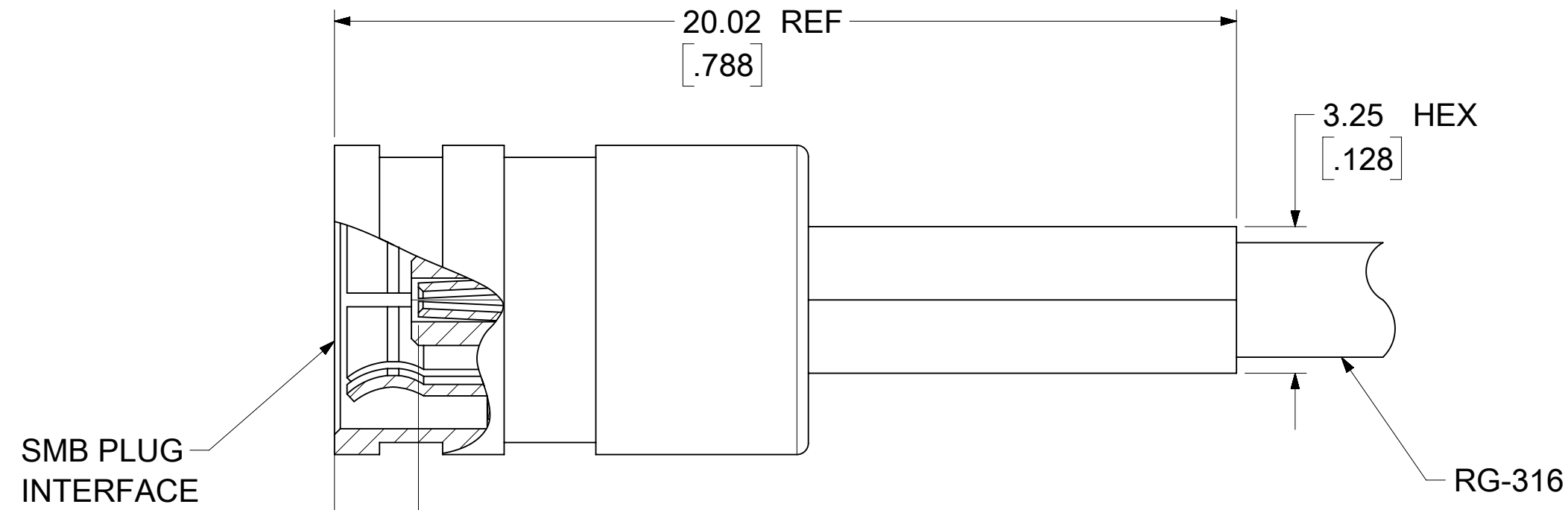
BODY, CRIMP TUBE: BRASS  
PLATED NICKEL

CENTER CONTACT: PHOSPHOR BRONZE  
PLATED SEE TABLE

INSULATOR: TEFLON

OUTER CONTACT: BERYLLIUM COPPER  
PLATED NICKEL

PACKAGE BY TRAY  
SEE 89542-0040 DRAWING



RECOMMENDED STRIPPING DIMENSIONS

PART # 73404-071\*

73404-0711	30u" Au
73404-0710	10u" Au
PART NO	CONTACT PLATING THICKNESS

PS-89675-3540	PRODUCT SPECIFICATION
MIL-STD-348A, FIG. 311-2	INTERFACE
SPECIFICATION	DESCRIPTION

B1	2020/03/03	ADD -0711 PART NO PER EWR 13499-C
REV	DATE	DESCRIPTION

FUNCTIONAL SYMBOLS	THIS DRAWING CONTAINS INFORMATION THAT IS PROPRIETARY TO MOLEX ELECTRONIC TECHNOLOGIES, LLC AND SHOULD NOT BE USED WITHOUT WRITTEN PERMISSION							
	DIMENSION UNITS	SCALE	CURRENT REV DESC:					
FA = 0	HYBRID	1:1	EC NO: 633339 DRWN: JSU18 CHK'D: YCHENG APPR: YCHENG					
EA = 0	GENERAL TOLERANCES (UNLESS SPECIFIED)							
EP = 0	ANGULAR TOL ± 2.0°							
DIVISIONAL SYMBOLS	4 PLACES	±	2020/03/03					
	3 PLACES	±	2020/03/18					
	2 PLACES	±	2020/03/18					
	1 PLACE	±						
0 PLACES	±		INITIAL REVISION: DRWN: SSHAH APPR: JWIENER					
DRAFT WHERE APPLICABLE MUST REMAIN WITHIN DIMENSIONS		THIRD ANGLE PROJECTION	DRAWING	SERIES	DOCUMENT NUMBER	DOC TYPE	DOC PART	REVISION
			C-SIZE	73404	SD-73404-071	PSD	001	B1
					MATERIAL NUMBER	CUSTOMER	SHEET NUMBER	
						TS-SCI	1 OF 1	