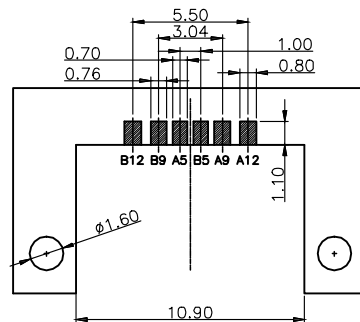
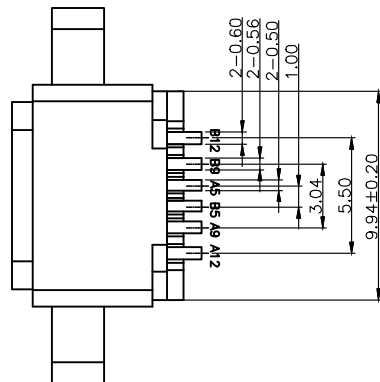
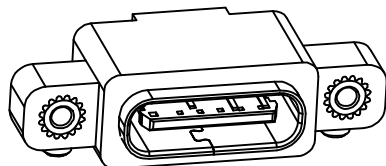


所有权信息:  
 本文件所有权属于 GLOBTEK 公司, 任何整体和部分的复制都是禁止和非法的, 除非取得 GLOBTEK 公司的授权允许。  
 PROPRIETARY INFORMATION:  
 PROPRIETARY OF GLOBTEK, INC. ANY REPRODUCTION, DISCLOSURE OR USE OF THIS DRAWING IN WHOLE OR PART, IS HEREBY PROHIBITED EXCEPT AS SPECIFIED IN WRITING BY GLOBTEK, INC.

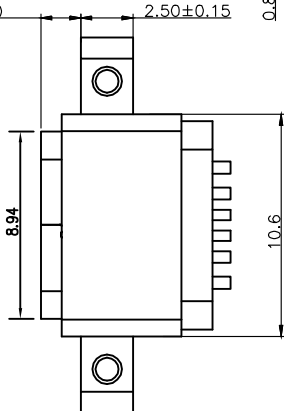
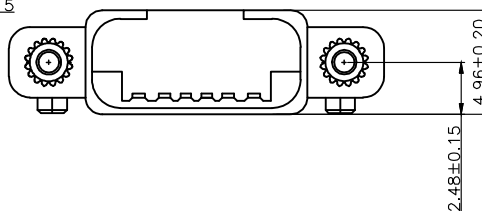
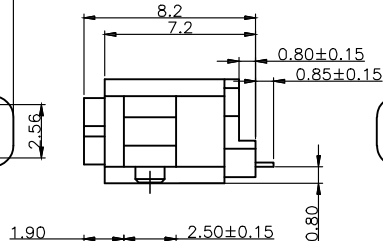
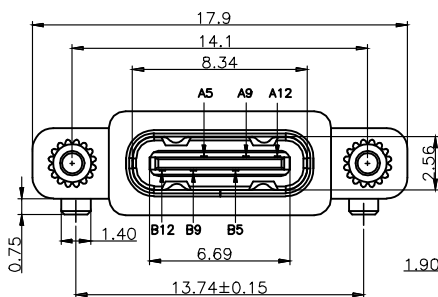
REVISION		DATE	APPROVED
REV	DESCRIPTION		
A	Initial Release	2019.06.14	JET



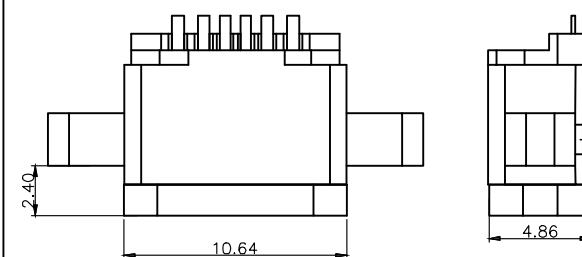
RECOMMENDED P.C.B. LAYOUT  
 TOLERANCE UNSPECIFIED ±0.05mm

- NOTES:  
 SPECIFICATION:  
 1. CURRENT RATING: 3.0A MAX  
 2. VOLTAGE: 100 VAC  
 3. TEMPERATURE RANGE: -30 °C ~ 85 °C  
 4. CONTACT RESISTANCE: 40 MILLIONHM MAX  
 5. INSULATION RESISTANCE: 100 MEGOHMS MIN.  
 6. INSERTION FORCE : 5N~20N  
 7. UNMATING FORCE: 8N~20N  
 8. DURABILITY: 10,000 CYCLES  
 9. WATER PROOFNESS: THIS PRODUCT IS BASED ON IPX7.  
 10. 6 PIN ONLY FOR PD FUNCTION, NO QC, NO DATA.

3D file download link:  
<http://www.globtek.com/dl/JACK-USBC-6SMT-2SL.stp>



Schematic diagram for waterproof ring



A5	CC1	B12	GND
A9	VBUS	B9	VBUS
A12	GND	B5	CC2
PIN	SIGNAL NAME	PIN	SIGNAL NAME

NO.	DESCRIPTION	MATERIAL	RFMARKS	QTY
5	WATERPROOF RING	SILICON RUBBER	BLACK	1PCS
4	SHELL	STAINLESS STEEL	NI Plated	1PCS
3	SHIELDING PLATE	STAINLESS STEEL	NI Plated	1PCS
2	CONTACT	COPPER ALLOY	TIN/Au/NI Plated	1SET
1	HOUSING	HIGH TEMPERATURE PLASTIC	BLACK	1PCS

尾注:  
 Globtek 公司不对未经批准而擅自修改部件而影响的性能和安全性负责, 终端用户必须参考 UL、CSA 或 EN 标准规定正确的安装。  
 Foot Note:  
 Globtek Inc. will not be liable for the safety and performance of these parts if unauthorized access and repair occurs. End user should consult applicable UL, CSA or EN standards for proper installation instructions

禁用:  
 Globtek 产品未经授权不得用于医疗设备中以及危险环境核试验或者飞机上, 除非有 GLOBTEK 公司首席执行官的书面正式批准。  
 Limitation of Use:  
 Globtek product are not authorized for use as mission critical components in life support, hazardous environment, nuclear or aircraft applications without prior written approval from the CEO of Globtek Inc.

文件内容未经允许不得更改  
 Contents of this document are subject to change without prior notice

Tolerance table

RANGE	GRADE 1	GRADE 2	GRADE 3
0~4	±/-0.05	±/-0.1	±/-0.2
4~16	±/-0.08	±/-0.15	±/-0.3
16~64	±/-0.12	±/-0.25	±/-0.5
64~250	±/-0.25	±/-0.4	±/-0.8

PART NO 零件号:	/	
MODEL NO 型号:	/	
Drawn and Checked By:	Tyler	Tolerances:
Double Checked By:		Grade 3
Approved By:	Jet	

**GlobTek(Suzhou), Co.,Ltd**

Tel: +86-512-6279-0301 Fax: +86-512-6279-0355 Web: www.globtek.cn

DRAWING FOR WIRE P/N:  
 JACK-USBC-6SMT-2SL

A, Rev. A SHEET 1 OF 1

APPROVAL FLOW: 1.CUSTOMER (INHOUSE/OUTSIDE) → 2.ENG'G MANAGER (CHECK/REVIEW) → 3.MECH. ENGR (DRAW/CHECK) → 4.ENG'G MANAGER (REVIEW/APPROVED/FILE KEEPING-ENG'G and QAE ASSISTANT) → 5.OPRN MANAGER → 6.RELEASE TO MECH. ENGR → 7.END CUSTOMER (INHOUSE/OUTSIDE)

NOTE:

1. QUANTITY/REEL: 800 PCS

數量/卷: 800 PCS

QUANTITY/INNER CARTON: 800 X 9 = 7200 PCS

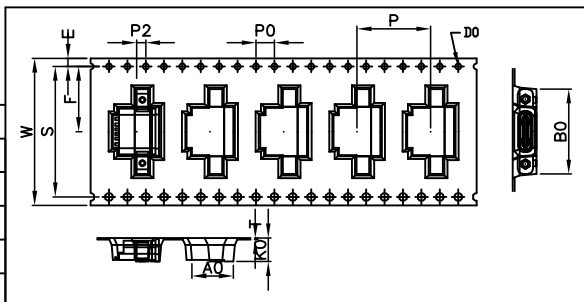
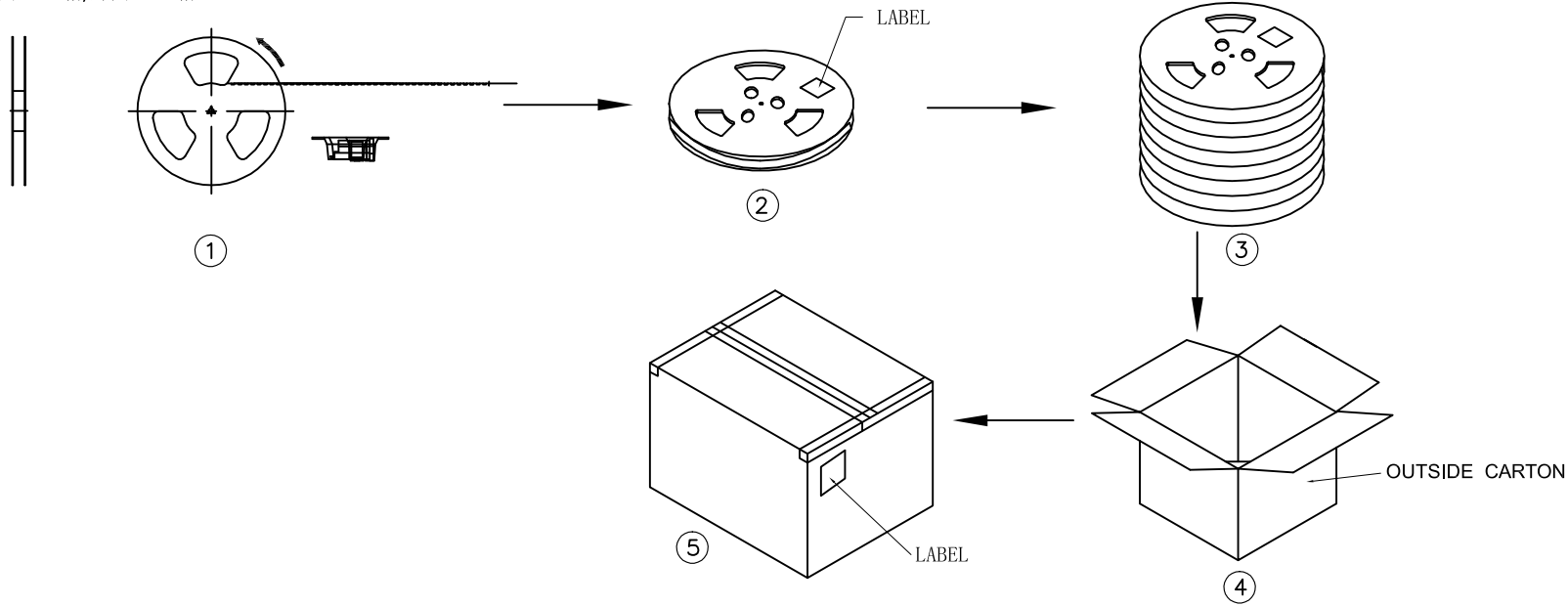
數量/箱: 800 X 9 = 7200 PCS

2. FREE 20 CAVE IN THE FRONT CARRIER AND FREE 20 CAVE IN THE END CARRIER.

包裝帶內圈空20格, 外圈空20格.

所有權信息:  
 本文件所有權屬於 GLOBTEK 公司, 任何整體和部分的複製都是禁止和非法的, 除非取得 GLOBTEK 公司的授權允許。  
 PROPRIETARY INFORMATION:  
 PROPRIETARY OF GLOBTEK, INC. ANY REPRODUCTION, DISCLOSURE OR USE OF THIS DRAWING IN WHOLE OR PART, IS HEREBY PROHIBITED EXCEPT AS SPECIFIED IN WRITING BY GLOBTEK, INC.

REVISION			
REV	DESCRIPTION	DATE	APPROVED
A	Initial Release	2019.06.14	JET



W	32.00±0.30	P	16.00±0.10
S	28.40±0.10	P0	4.00±0.10
E	1.75±0.10	P2	2.00±0.10
F	14.20±0.10	D0	∅1.50 ± 0.10
T	0.35±0.05	K0	5.16±0.10
A0	9.00±0.10	B0	18.50±0.10

ITEM	MATERIAL	REMARKS	QTY
1		TYPE-C JACK end product	7200
2	PET	W=24mm T=0.35mm	
3	PET	W=13.3mm T=0.05mm	
4		L102mm*W59mm	9
5	PS	∅330mm*W28.5mm	9
7		L102mm*W102mm	1
9	A=A	L330mm*W330mm*320mm	1

尾注: Globtek 公司不对未经批准而擅自修改部件而影响的性能和安全性负责。终端用户必须参考 UL、CSA 或 EN 标准规定正确的安装。  Foot Note: Globtek Inc. will not be liable for the safety and performance of these parts if unauthorized access and repair occurs. End user should consult applicable UL, CSA or EN standards for proper installation instructions.	禁用: Globtek 产品未经授权不得用于医疗设备中以及危险环境核试验或者飞机上, 除非有 GLOBTEK 公司首席执行官的书面正式批准。  Limitation of Use: Globtek product are not authorized for use as mission critical components in life support, hazardous environment, nuclear or aircraft applications without prior written approval from the CEO of Globtek Inc.	文件内容未经允许不得更改 Contents of this document are subject to change without prior notice	Tolerance table			PART NO 零件号:	/	<b>GlobTek(Suzhou), Co.,Ltd</b> Tel: +86-512-6279-0301 Fax: +86-512-6279-0355 Web: www.globtek.cn
			RANGE	GRADE 1	GRADE 2	GRADE 3	MODEL NO 型号:	
			0~4	+/-0.05	+/-0.1	+/-0.2	Drawn and Checked By: Tyler Double Checked By: Approved By: Jet Tolerances: Grade 3	DRAWING FOR WIRE P/N: JACK-USBC-6SMT-2SL PACKING
			4~16	+/-0.08	+/-0.15	+/-0.3		
			16~64	+/-0.12	+/-0.25	+/-0.5		
			64~250	+/-0.25	+/-0.4	+/-0.8		
						Approved By:	Jet	A. Rev. A SHEET 1 OF 1

APPROVAL FLOW: 1.CUSTOMER (INHOUSE/OUTSIDE) → 2.ENG'G MANAGER (CHECK/REVIEW) → 3.MECH. ENGR (DRAW/CHECK) → 4.ENG'G MANAGER (REVIEW/APPROVED/FILE KEEPING-ENG'G and QAE ASSISTANT) → 5.OPRN MANAGER → 6.RELEASE TO MECH. ENGR → 7.END CUSTOMER (INHOUSE/OUTSIDE)