



### Electrical Specifications

**Cutoff Frequency (Fc):** 210 MHz  
**1 dB Passband:** 210-800 MHz  
**Insertion Loss :** 1 dB Max.  
**Passband Return Loss:** 14dB Min.  
**Rejection1:** 20 dB Min. @ 200 MHz  
**Rejection2:** 50 dB Min. @ 0-160 MHz

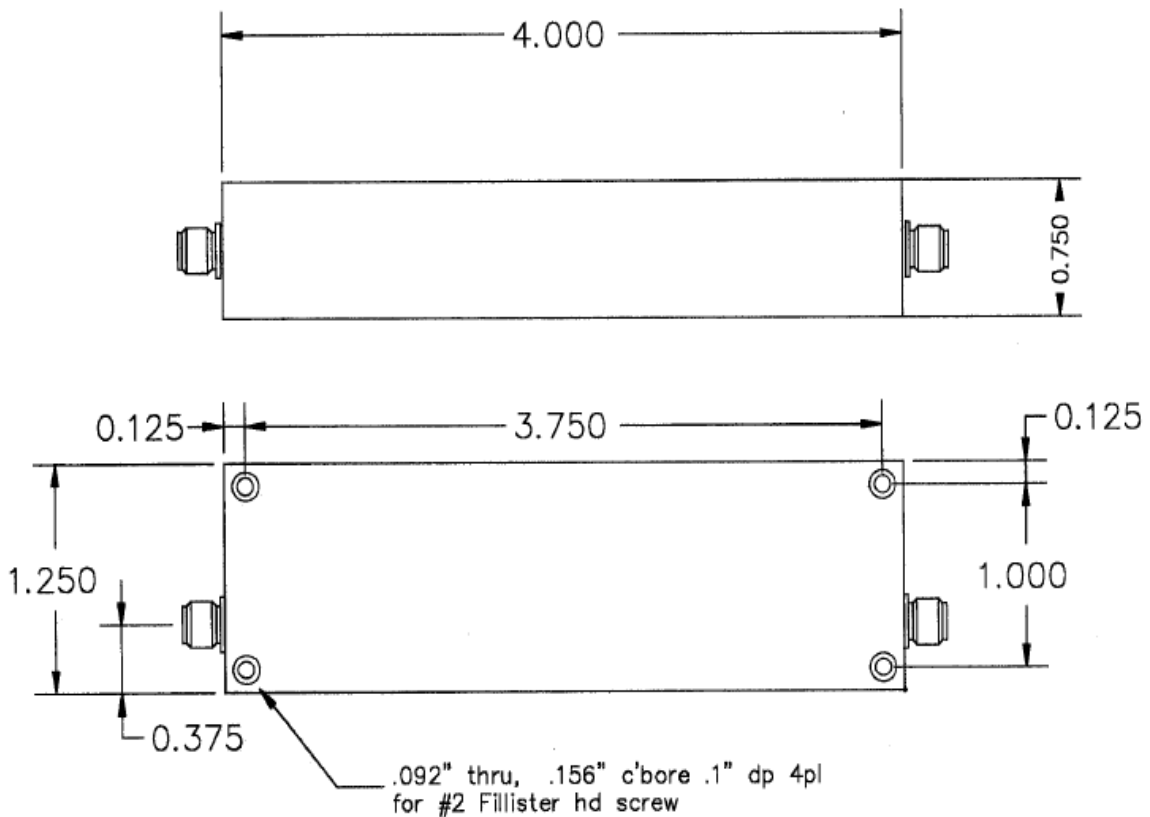
### Mechanical

**Mounting Method:** Through Holes  
**Connector Type:** SMA(F)  
**Dimensions:** 4.0" x 1.125" x 0.75"

### Environmental

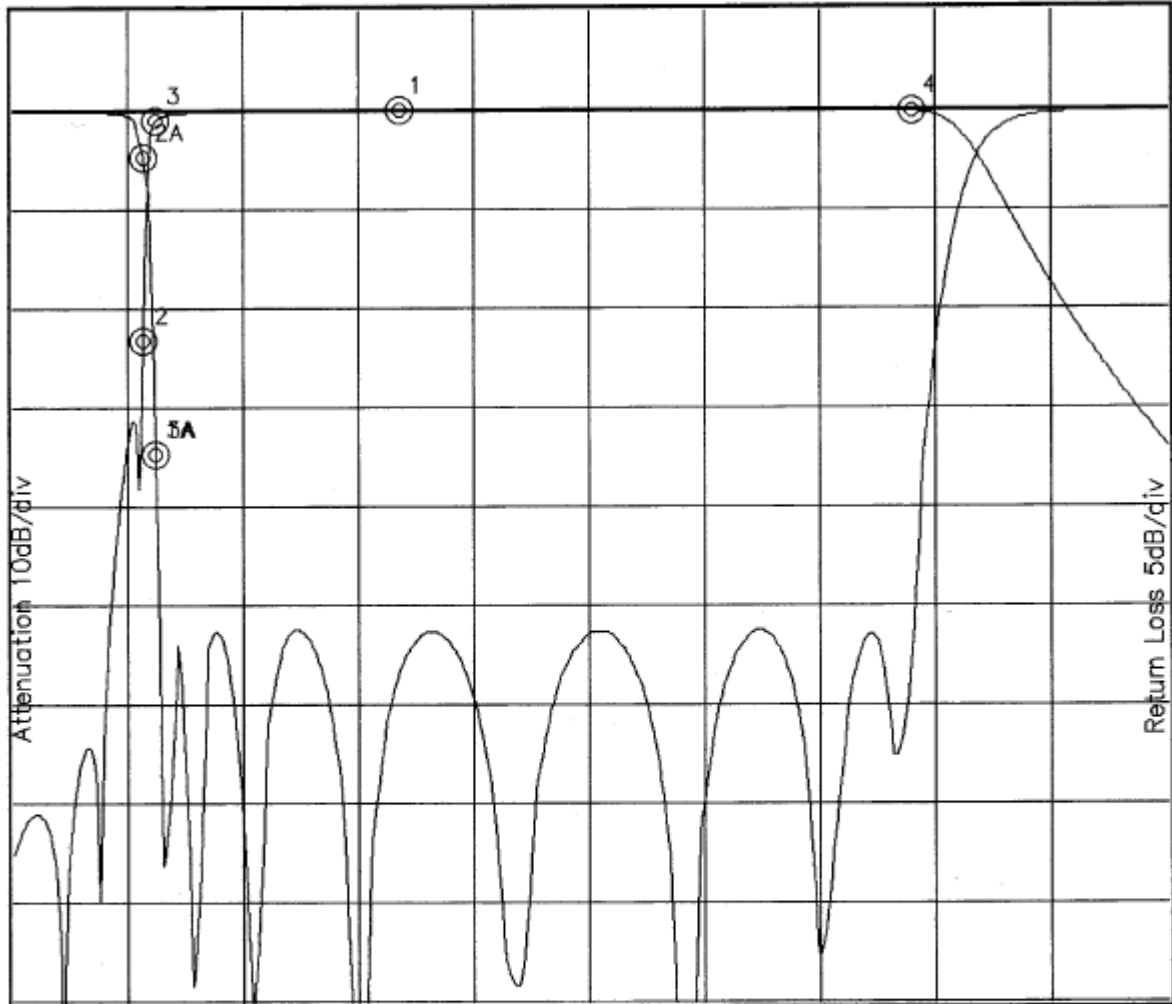
**Operating Temperature:** -25°C to +70°C  
**Storage Temperature:** -60°C to +90°C  
**Shock:** 10 G. 11ms  
**Vibration:** 10 G. 5 to 200Hz

### Outline Drawing:





**Simulation Plot :**



Attenuation Start: 100.0MHz Stop: 1000.0MHz Return Loss Start: 100.0MHz Stop: 1000.0MHz

Marker 1 Freq 400.96MHz Atten -0.103dB  
 Marker 2 Freq 200.32MHz Atten -23.490dB  
 Marker 3 Freq 210.50MHz Atten -1.019dB  
 Marker 4 Freq 800.80MHz Atten -0.254dB

Marker 1A Freq 210.50MHz Ret Loss -17.534dB  
 Marker 2A Freq 200.32MHz Ret Loss -2.406dB  
 Marker 3A Freq 210.50MHz Ret Loss -17.534dB