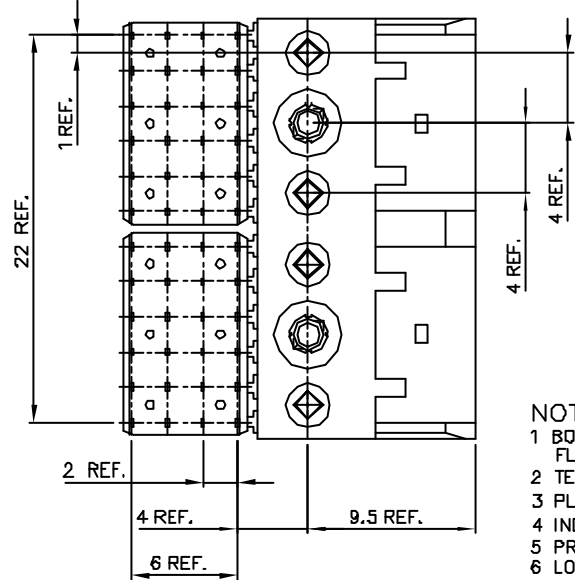
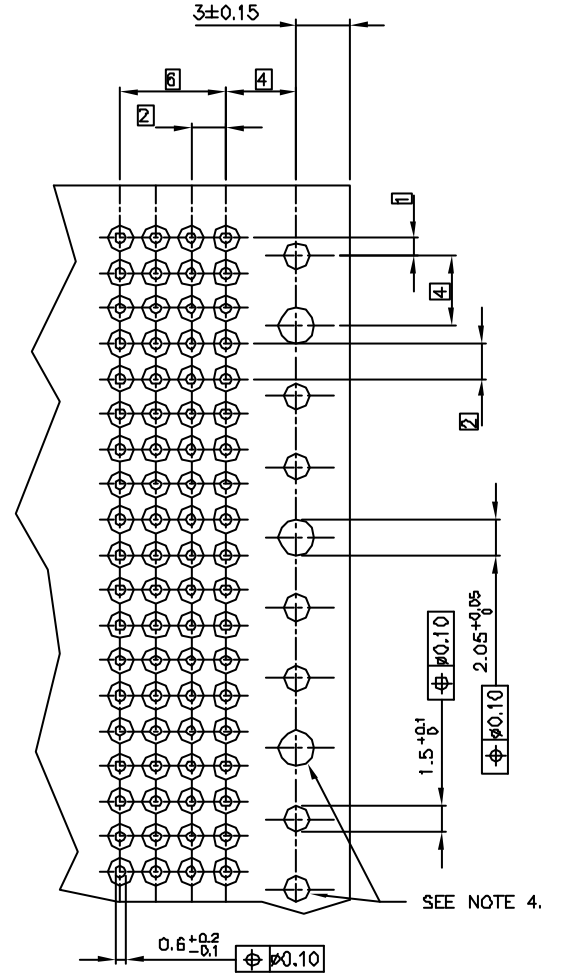
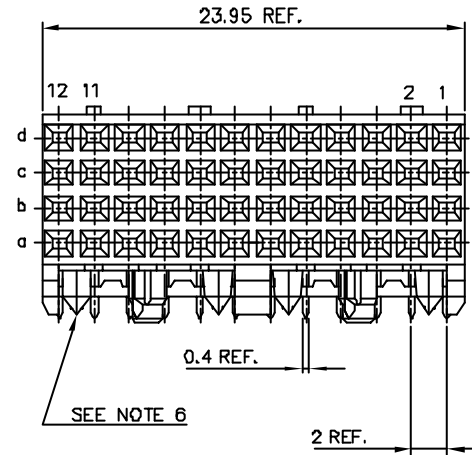
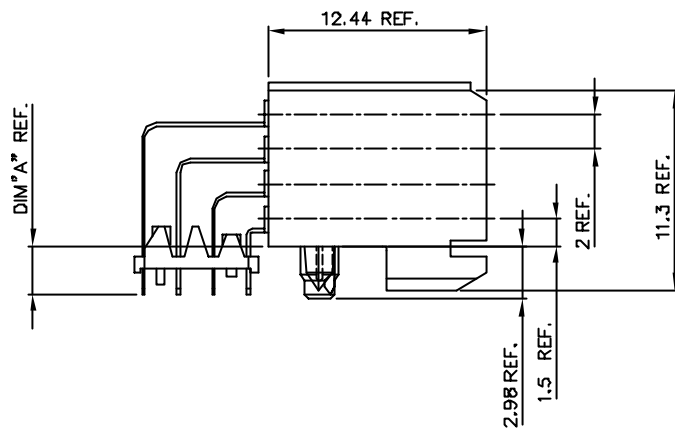
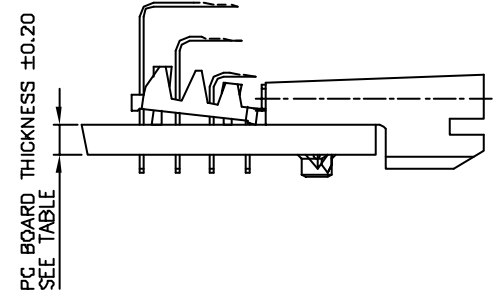


PC BOARD VERSIONS		
PRODUCTNR.	PCB THICKNESS	DIM "A"
89036-X01/X01LF	1.6	2.73
89036-X11/X11LF	2.4	3.53



PRODUCT AFTER PC BOARD APPLICATION.



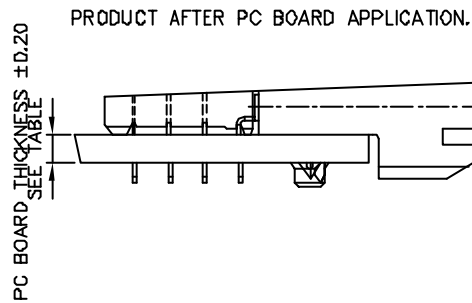
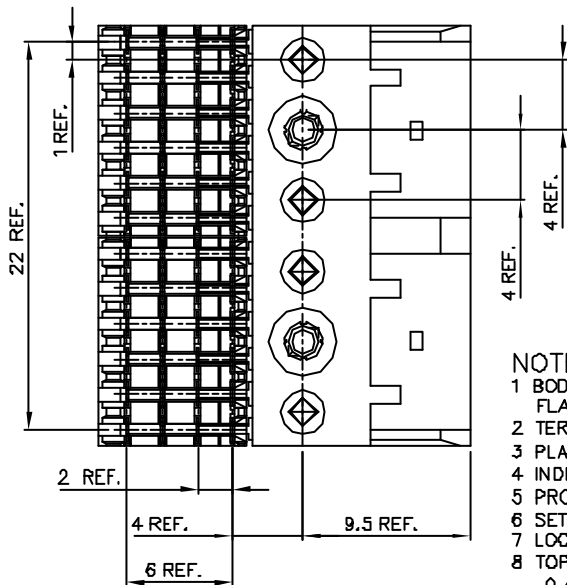
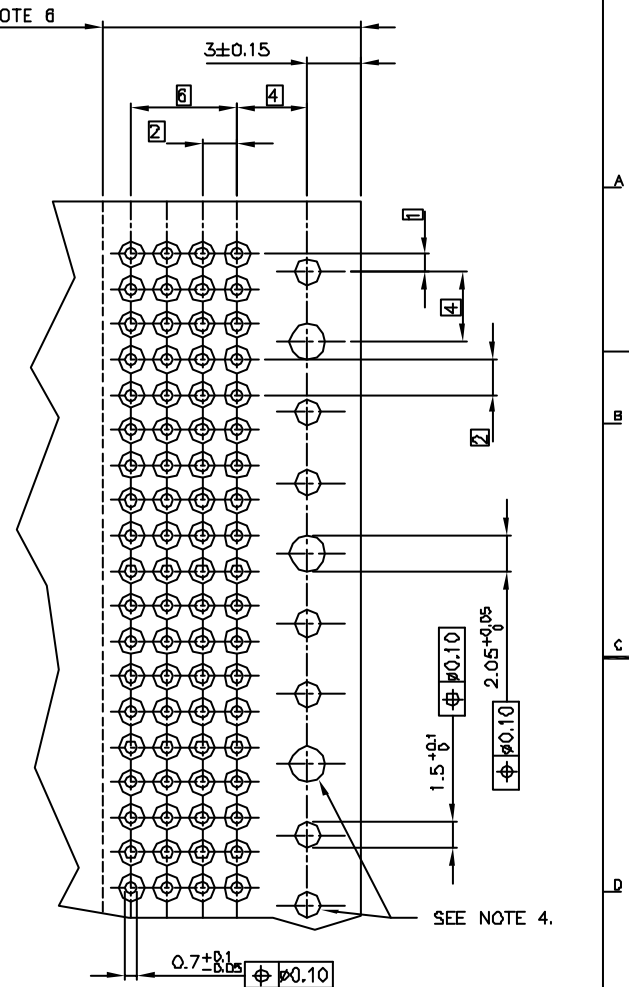
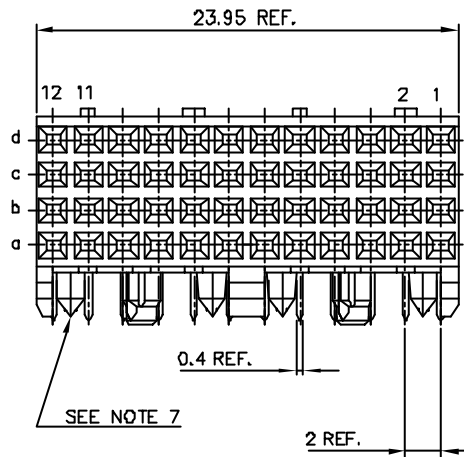
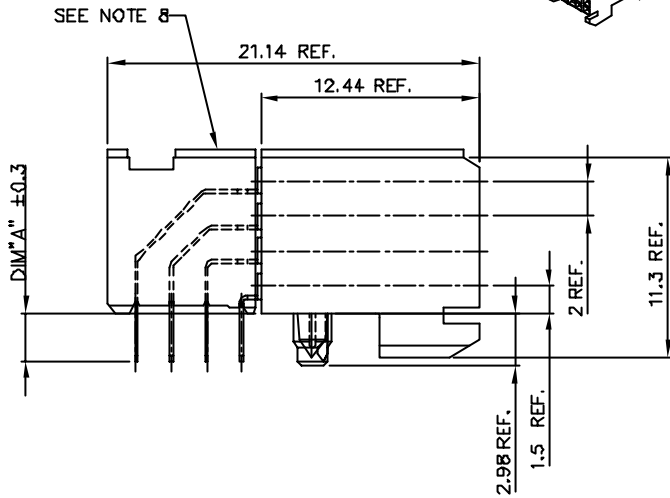
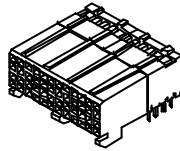
- NOTES:
- 1 BODY MAT'L: LIQUID CRYSTAL POLYMER 30% GLASS FLAME RETARDANT ACC. UL 94-V0
 - 2 TERMINAL MATERIAL: PHOSPHOR BRONZE.
 - 3 PLATING SOLDER TAILS 2-8 μm SnPb 90-97 OR 2-8 μm PURE Sn
 - 4 INDICATED HOLES ARE UNPLATED.
 - 5 PRODUCT MARKING: PART NUMBER & BATCH ID.
 - 6 LOCATION PEG FEATURES MAY NOT BE AVAILABLE AS SHOWN.
 - 7 THIS PRODUCT MEETS EUROPEAN UNION DIRECTIVES AND OTHER COUNTRY REGULATIONS AS DESCRIBED IN GS-22-008.
 - 8 THE HOUSING WILL WITHSTAND EXPOSURE TO 260 DEGREE PEAK TEMPERATURE FOR 10 SECONDS IN A WAVE SOLDER APPLICATION.

PRODUCT NR:	PLATING CONTACT AREA	UNDERPLATING
89036-1YZ/1YZLF	0.8 μm GOLD	1.3 μm Ni MIN.
89036-2YZ/2YZLF	2 μm GOLD	1.3 μm Ni MIN.
89036-3YZ/3YZLF	1.3 μm GOLD	1.3 μm Ni MIN.
89036-9YZ/9YZLF	0.8 μm GXT	1.3 μm Ni MIN.

mat'l code		tolerances unless otherwise specified		CUSTOMER GDY		ELECTRONICS	
itr	tan no	dr	date	linear	projection	title	www.electronics.com
J	8904-0104	CU	041221			24 FEMALE SIGNAL	
D	89036	008	041027	angles		24 mm PRESS PEG	
F	V70789	008	070530	dr	14 Banknote	product form METRAL (mm)	code
F	V81480	008	090827	eng	PL Banknote	size	213
S	V00078	008	000318	chr	S.Lee	dwg no	1 of 2
U	V00047	008	000530	appd	J.W.H.J.	scale	
sheet	revision	J	J			B-1	
index	sheet	1	2			A2	

All rights reserved. Reproduction or use in any form without the written permission of the manufacturer is prohibited. © FCI Inc.

PC BOARD VERSIONS		
PRODUCTNR:	PCB THICKNESS	DIM "A"
B9036-X02/X02LF	1.6	2.73
B9036-X12/X12LF	2.4	3.53



NOTES:

- BODY MAT'L: LIQUID CRYSTAL POLYMER 30% GLASS
FLAME RETARDANT ACC. UL 94-V0
- TERMINAL MATERIAL: PHOSPHOR BRONZE.
- PLATING SOLDER TAILS 2-8 µm SnPb 90-97 OR 2-8 µm PURE Sn
- INDICATED HOLES ARE UNPLATED.
- PRODUCT MARKING: PARTNUMBER & BATCH ID.
- SET BACK FOR PRESS BLOCK.
- LOCATION PEG FEATURES MAY NOT BE AVAILABLE AS SHOWN.
- TOP SURFACE OF PRESS BLOCK MAY EXTEND UP TO 0.4MM HIGHER THAN HOUSING. THIS MAY AFFECT THE TAIL LENGTH BEFORE APPLICATION TO A BOARD
- THIS PRODUCT MEETS EUROPEAN UNION DIRECTIVES AND OTHER COUNTRY REGULATIONS AS DESCRIBED IN GS-22-008.
- THE HOUSING WILL WITHSTAND EXPOSURE TO 260DEGREE PEAK TEMPERATURE FOR 10 SECONDS IN A WAVE SOLDER APPLICATION.

PRODUCT NR:	PLATING CONTACT AREA:	UNDERPLATING
B9036-1YZ/1YZLF	0.8 µm GOLD	1.3 µm Ni MIN.
B9036-2YZ/2YZLF	2 µm GOLD	1.3 µm Ni MIN.
B9036-3YZ/3YZLF	1.3 µm GOLD	1.3 µm Ni MIN.
B9036-9YZ/9YZLF	0.8 µm GXT	1.3 µm Ni MIN.

mat'l code		tolerances unless otherwise specified		CUSTOMER GDY		ELECTRONICS	
itr	can no of date	linear		projection	title	RA FEMALE SIGNAL	www.electronics.com
		angles		mm	24 mm PRESS PEC		
		dr	0. de an 970529	scale	product form METRAL (µm)	code	213
		eng	p. Scholt 970529	8:1	size dwg no	sheet	2 of
		chr	p. Scholt 970529		89036		
		appl	Doc/mana 970529				
sheet index	revision sheet						

All rights reserved. Reproduction or use in any form without the written permission of the manufacturer is prohibited. © FCI Inc.