

Datasheet of SAW Filter

1411 GPS

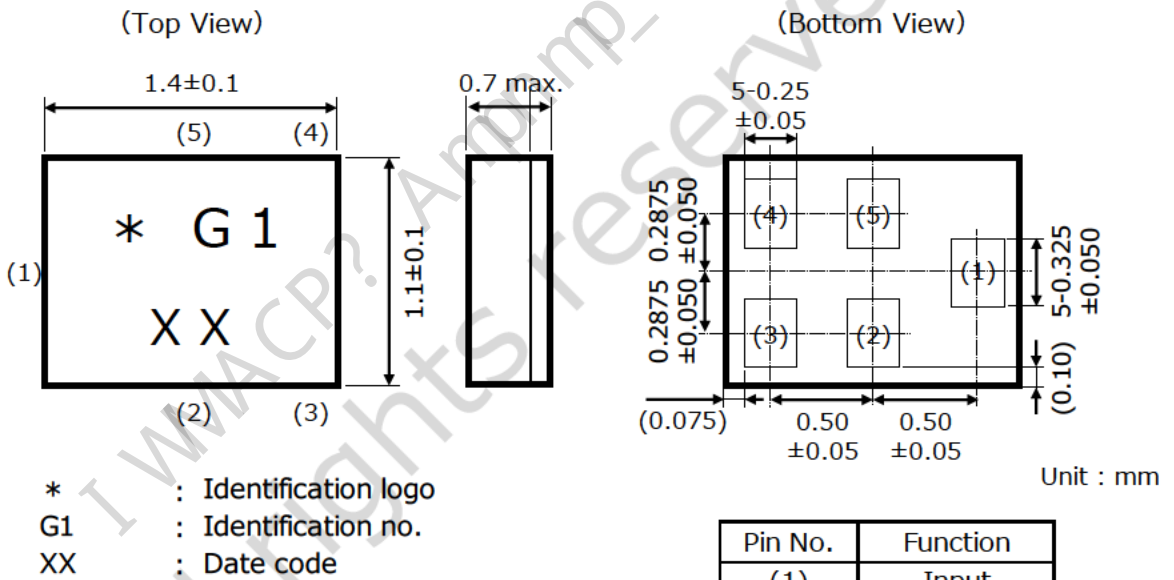
KYOCERA Part No. : SF14 1575F5UUA1

I WACP? All rights reserved

Rating

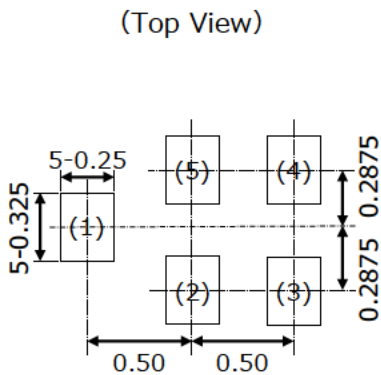
Items	Rating	Unit	Note
Operating Temperature Range	-30 to +85	deg.C	
Storage Temperature Range	-40 to +85	deg.C	
Max Input Power	+12	dBm	5,000Hours, Ta=50deg.C, CW
Input Port Nominal Impedance	50	ohm	Unbalance
Output Port Nominal Impedance	50	ohm	Unbalance

Dimensions

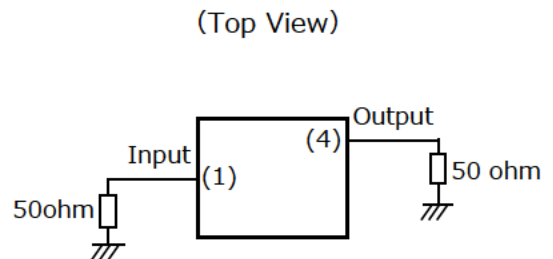


Pin No.	Function
(1)	Input
(4)	Output
Others	GND

Recommendable Land Pattern



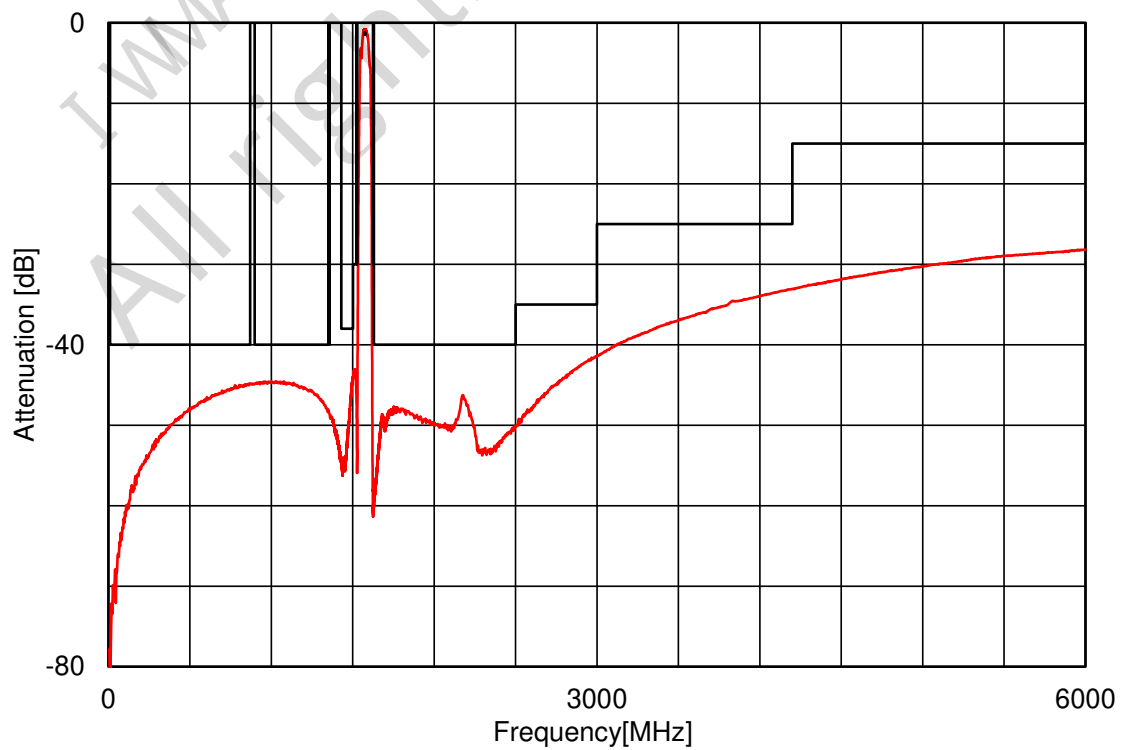
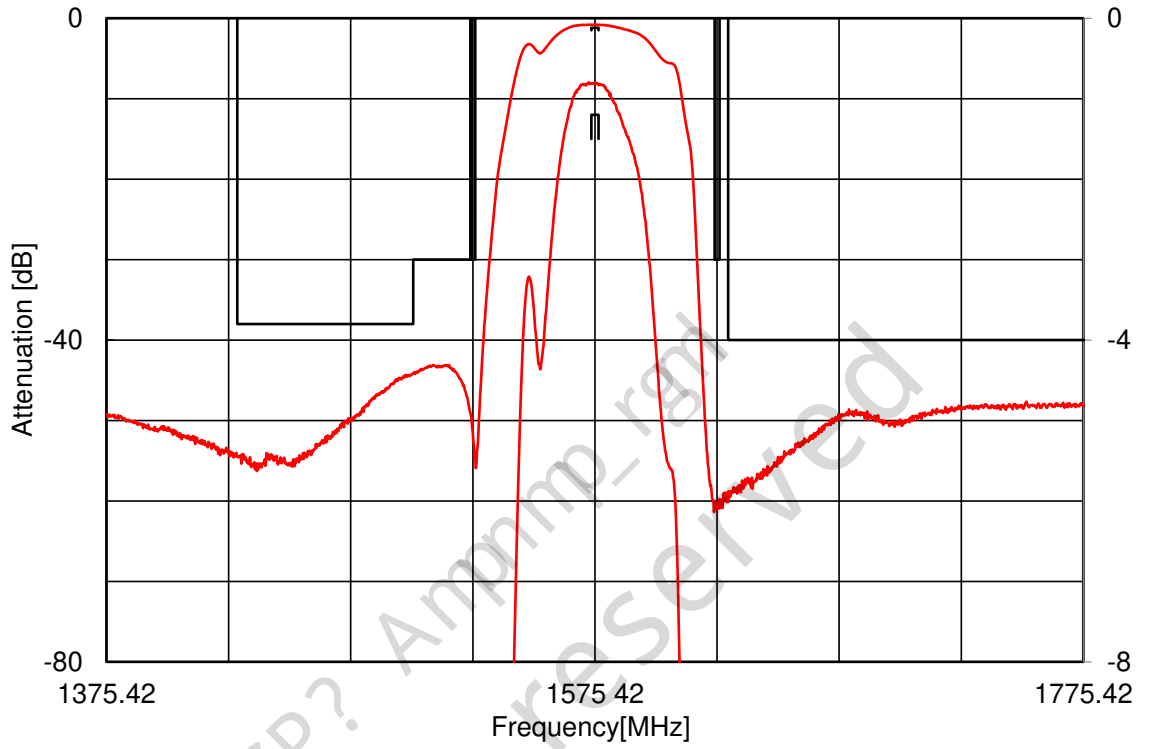
Measurement Circuit



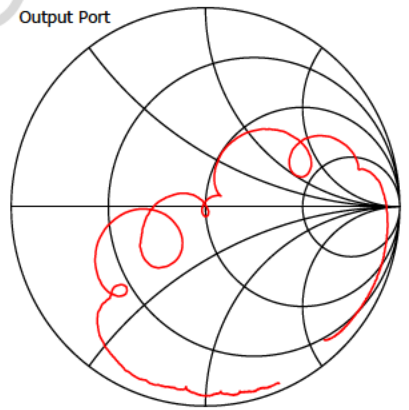
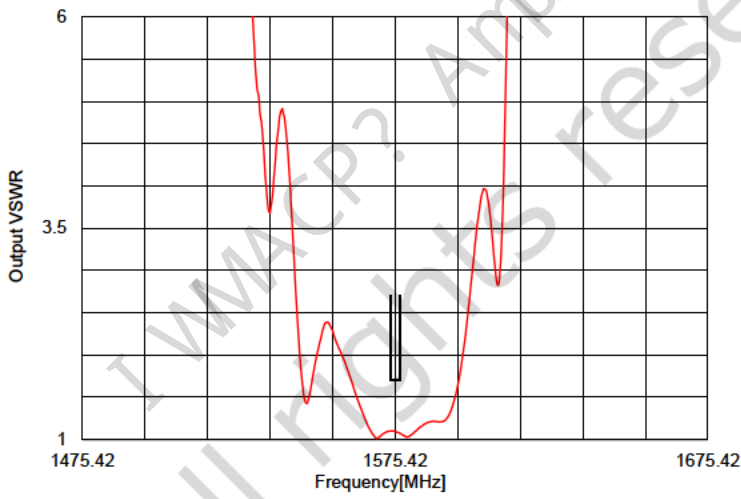
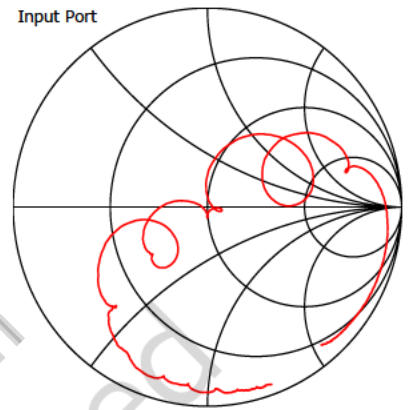
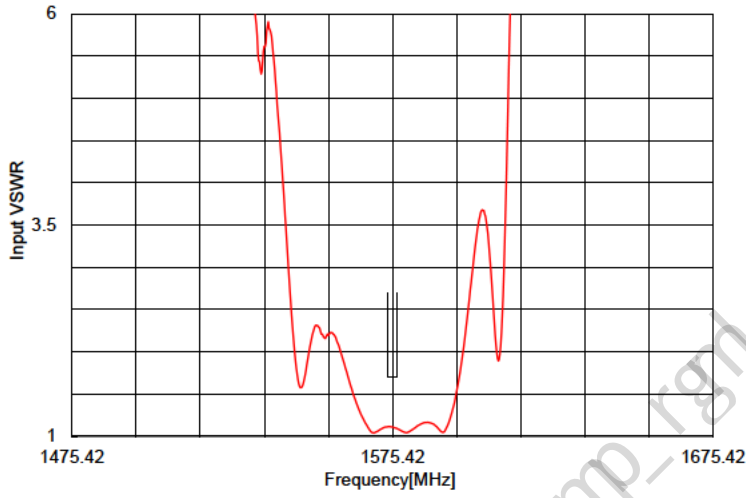
Electrical Characteristics

ITEMS	Frequency (MHz)	Characteristics			Unit	Note
		min.	typ.	max.		
Nominal Center Frequency		1575.42			MHz	
Insertion Loss	1573.92 to 1576.92	-	0.8	1.2	dB	
Ripple (peak to peak)	1573.92 to 1576.92	-	0.1	0.6	dB	
Input VSWR	1573.92 to 1576.92	-	1.1	1.7	-	
Output VSWR	1573.92 to 1576.92	-	1.0	1.7	-	
Absolute Attenuation	10 to 843	40	45	-	dB	
	843 to 870	40	44	-	dB	
	898 to 925	40	44	-	dB	
	925 to 1350	40	44	-	dB	
	1355.25	40	49	-	dB	
	1429 to 1501	38	44	-	dB	
	1501 to 1525	30	44	-	dB	
	1525.42	30	49	-	dB	
	1625.42	30	56	-	dB	
	1630 to 1893	40	47	-	dB	
	1893 to 1920	40	48	-	dB	
	1920 to 1940	40	49	-	dB	
	1940 to 1980	40	49	-	dB	
	1980 to 2500	40	47	-	dB	
	2500 to 3000	35	41	-	dB	
3000 to 4200	25	32	-	dB		
4200 to 6000	15	27	-	dB		

Electrical Characteristics

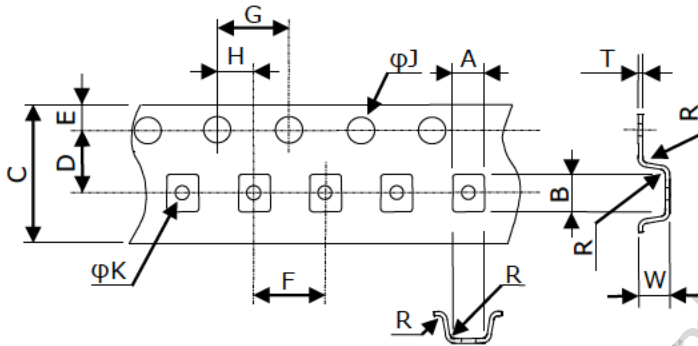


Electrical Characteristics



Tape & Reel Specification

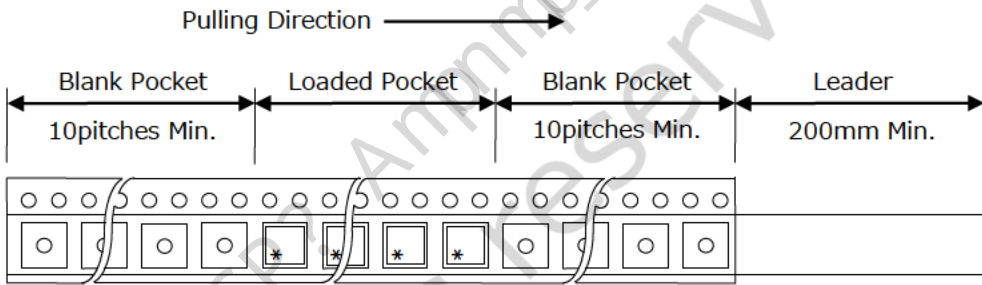
[Tape]



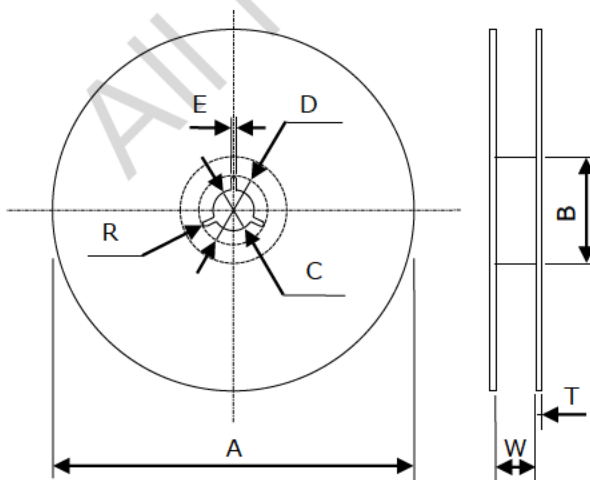
Unit : mm

Part	Dimension
A	1.30±0.05
B	1.60±0.05
C	8.00±0.15
D	3.50±0.05
E	1.75±0.10
F	4.0±0.1
G	4.0±0.1
H	2.00±0.05
φJ	1.5+0.1/-0
φK	0.5±0.1
R	0.2 Max
W	0.70±0.05
T	0.20±0.05

W : Dimension is depth of pockets.



[Reel]



Unit : mm

Part	Dimension
A	178 ± 2
B	60 ± 2
C	13.0 ± 0.2
D	21.0 ± 0.8
E	2.0 ± 0.5
R	1
W	9.5 ± 1.0
T	2.0 ± 0.2

Notice

1. Characteristics described in this datasheet are for references specifications shall be based on written documents agreed by each party.
2. Contents in this datasheet are subject to change without notice. It is recommended to confirm the latest information at the time of usage. Also, this datasheet is revised once a year. We may not be able to accept requests based on old datasheets.
3. Products in this datasheet are intended to be used in general electronic equipment such as office equipment, audio and visual equipment, communication equipment, measurement instrument and home appliances. It is absolutely recommended to consult with our sales representatives in advance upon planning to use our products in applications which require extremely high quality and reliability such as aircraft and aerospace equipment, traffic systems, safety systems, power plant and medical equipment including life maintenance systems.
4. Even though we strive for improvements of quality and reliability of products, it is requested to design with enough safety margin in equipment or systems in order not to threaten human lives directly or damage human bodies or properties by an accidental result of products.
5. It is requested to design based on guaranteed specifications for such as maximum ratings, operating voltage and operating temperature. It is not the scope of our guarantee for unsatisfactory results due to misuse or inadequate usage of products in the datasheet.
6. Operation summaries and circuit examples in this datasheet are intended to explain typical operation and usage of the product. It is recommended to perform circuit and assembly design considering surrounding conditions upon using products in this datasheet.
7. Technical information described in this datasheet is meant to explain typical operations and applications of products, and it is not intended to guarantee or license intellectual properties or other industrial rights of the third party or Kyocera.
8. Trademarks, logos and brand names used in this datasheet are owned by Kyocera or the corresponding third party.
9. Certain products in this datasheet are subject to the Foreign Exchange and Foreign Trade Control Act of Japan, and require the license from Japanese Government upon exporting the restricted products and technical information under the law. Besides, it is requested not to use products and technical information in the datasheet for the development and/or manufacture of weapons of mass destruction or other conventional weapons, nor to provide them to any third party with the possibility of having such purposes.
10. It is prohibited to reprint and reproduce a part or whole of this datasheet without permission.