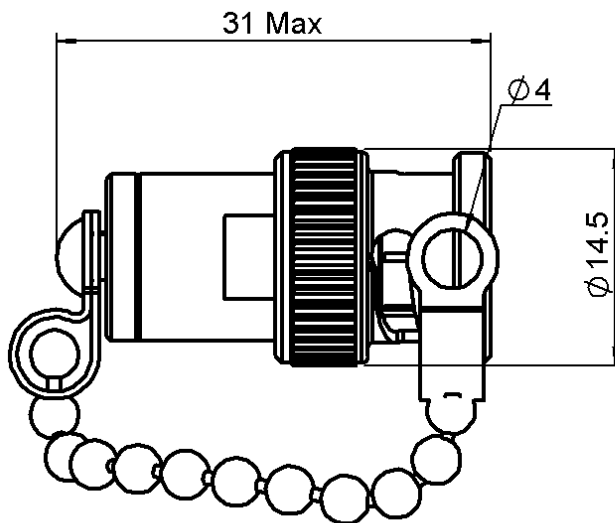
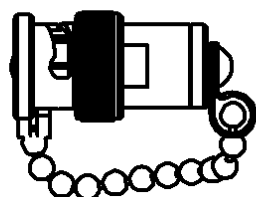


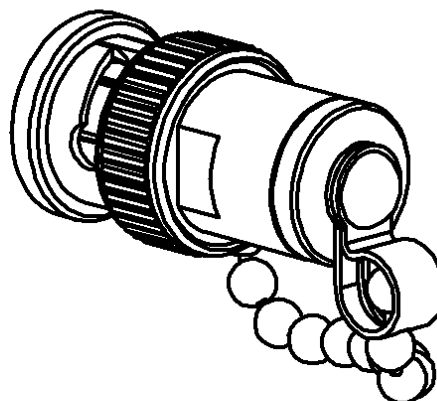
PAGE 1/2	ISSUE 22-06-16B	SERIES <b>TERMINATION</b>	PART NUMBER <b>R404441120</b>
----------	-----------------	------------------------------	-------------------------------



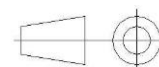
Bead chain length=70mm



Scale 1:1



All dimensions are in mm.



COMPONENTS	MATERIALS	PLATING (µm)
Body	<b>BRASS.</b>	<b>NICKEL 2</b>
Center contact	<b>BRASS.</b>	<b>GOLD 0.7 to 1 over NICKEL 2</b>
Outer contact	-	-
Insulator	<b>PTFE</b>	
Gasket	<b>SILICONE RUBBER</b>	
Substrate	<b>ALUMINA</b>	
Resistor	<b>THICK FILM</b>	
Others parts	-	-

PAGE 2/2	ISSUE <b>22-06-16B</b>	SERIES <b>TERMINATION</b>	PART NUMBER <b>R404441120</b>
----------	------------------------	------------------------------	-------------------------------

**ELECTRICAL CHARACTERISTICS**

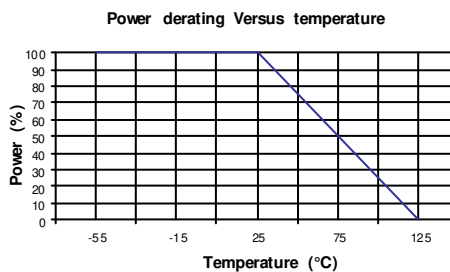
Operating Frequency Range	<b>DC - 1</b>	GHz
Impedance	<b>50</b>	Ω
DC Resistance	<b>50</b>	Ω ± 5%
Peak power at 25°C (1μs, 1%)	<b>500</b>	W
Average power at 25°C	<b>1</b>	W (Free Air Cooled)
		W (Conduction Cooled)

**MECHANICAL CHARACTERISTICS**

Connectors	<b>BNC</b>	<b>MALE</b>	<b>MIL C39012</b>
Weight	<b>11,5900</b> g		

**ENVIRONMENTAL CHARACTERISTICS**

Operating temperature range	<b>-55 /+125</b>	°C
Storage temperature range	<b>-55 /+125</b>	°C



**SPECIFICATION**

**OTHER CHARACTERISTICS**