

## 40-65W, 2 x 4" AC-DC Medical Power Supplies

### Features

- ◆ Wide Range AC Input
- ◆ Low profile, Industry Standard Footprint
- ◆ Global Safety Agency Compliance
- ◆ Remote Sense
- ◆ Dual input fuses



### Key Market Segments & Applications



Medical



RoHS

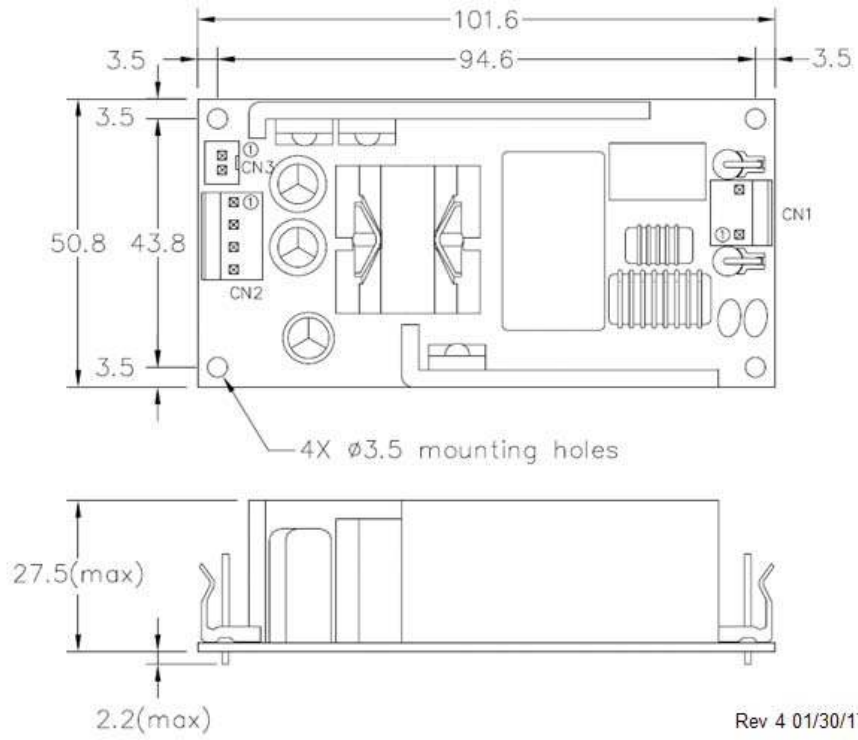
### Specifications

Model		CSS65
Input Voltage range	V	90 - 264VAC (47 - 63Hz) or 120 - 370VDC*
Inrush Current	A	<40A maximum at 115VAC input, 25°C ambient cold start
Input Current (115/230VAC)	A	2 / 1
Leakage Current	uA	<250uA 264VAC 63Hz
Hold Up Time (Typ)	ms	10ms at 115VAC input
Temperature Coefficient	°C	±0.05%/°C
Adjustment Range	-	None
Remote Sense	-	Yes
Minimum Load	A	None
Regulation	%	5V: ±5%, 12-24V: ±3%, 36-48V: ±2% (10 - 100% load change, 100-240VAC line change)
Ripple & Noise	%	1%
Short Circuit Protection	-	Continuous - hiccup mode
Overvoltage Protection	V	110 - 150% of nominal (Automatic Reset)
Efficiency	%	86% typical (115VAC Input)
Operating Temperature	°C	0 to +70°C derate linearly to 50% load from 50 to 70°C
Storage Temperature	°C	-25 to +85°C
Humidity (non condensing)	-	10 - 95% RH
Cooling	-	Convection
Withstand Voltage	-	Input to Ground 1.5kVAC, Input to Output 4kVAC (Reinforced) (2 x MOPPS 3rd Edition), Output to Ground 500VDC for 1 min.
Isolation Resistance	-	>20M at 25C & 70%RH, Output to Ground 500VDC
Vibration (non operating)	-	23.52m/s <sup>2</sup> (10 - 55Hz: constant sweep 1 min X, Y, Z for 1 hour)
Shock	-	< 196.1 m/s <sup>2</sup> (20G)
Safety Agency Approvals	-	UL/CSA/IEC/EN 60601-1, ANSI/AAMI ES60601-1, CE Mark
Conducted & Radiated EMI	-	EN55011-B, FCC Class B
Immunity	-	EN60601-1-2
Weight (Typ)	g	200g
Size (WxLxH)	in	2 x 4 x 1.18" (including underside components)
Warranty	yrs	Two Years

\*Safety certified for AC input only

**Outline Drawing**

- CN1 (AC Input)**  
Pin 1 Neutral  
Pin 2 No connection  
Pin 3 Line
- CN2 (DC Output)**  
Pin 1 +Vout  
Pin 2 +Vout  
Pin 3 0V  
Pin 4 0V
- CN3 (Remote Sense)**  
Pin 1 + sense  
Pin 2 - sense



**Model Selector**

Model	Output (V)	Maximum Output (A)	Maximum Power (W)
CSS65-5	5	8.0	40
CSS65-12	12	5.0	60
CSS65-15	15	4.0	60
CSS65-19	19	3.43	65
CSS65-24	24	2.71	65
CSS65-36	36	1.81	65
CSS65-48	48	1.36	65

**Other Medical Products**

CSS150, 500	150 - 500W 1 output
KM	15 - 40W pcb mount medical
NV175	175 - 200W 1-4 outputs
NV300	300W 1-4 outputs
EFE300M	300W 3x6" 1 output

For Additional Information, please visit [us.tdk-lambda.com/lp/products/css-series.htm](http://us.tdk-lambda.com/lp/products/css-series.htm)



- ◆ Input Connector mates with Molex Housing 09-50-3031 or equivalent
- ◆ Output Connector mates with Molex Housing 09-50-3041 or equivalent
- ◆ Sense connector (CN3) mates with J.S.T. XHP-2