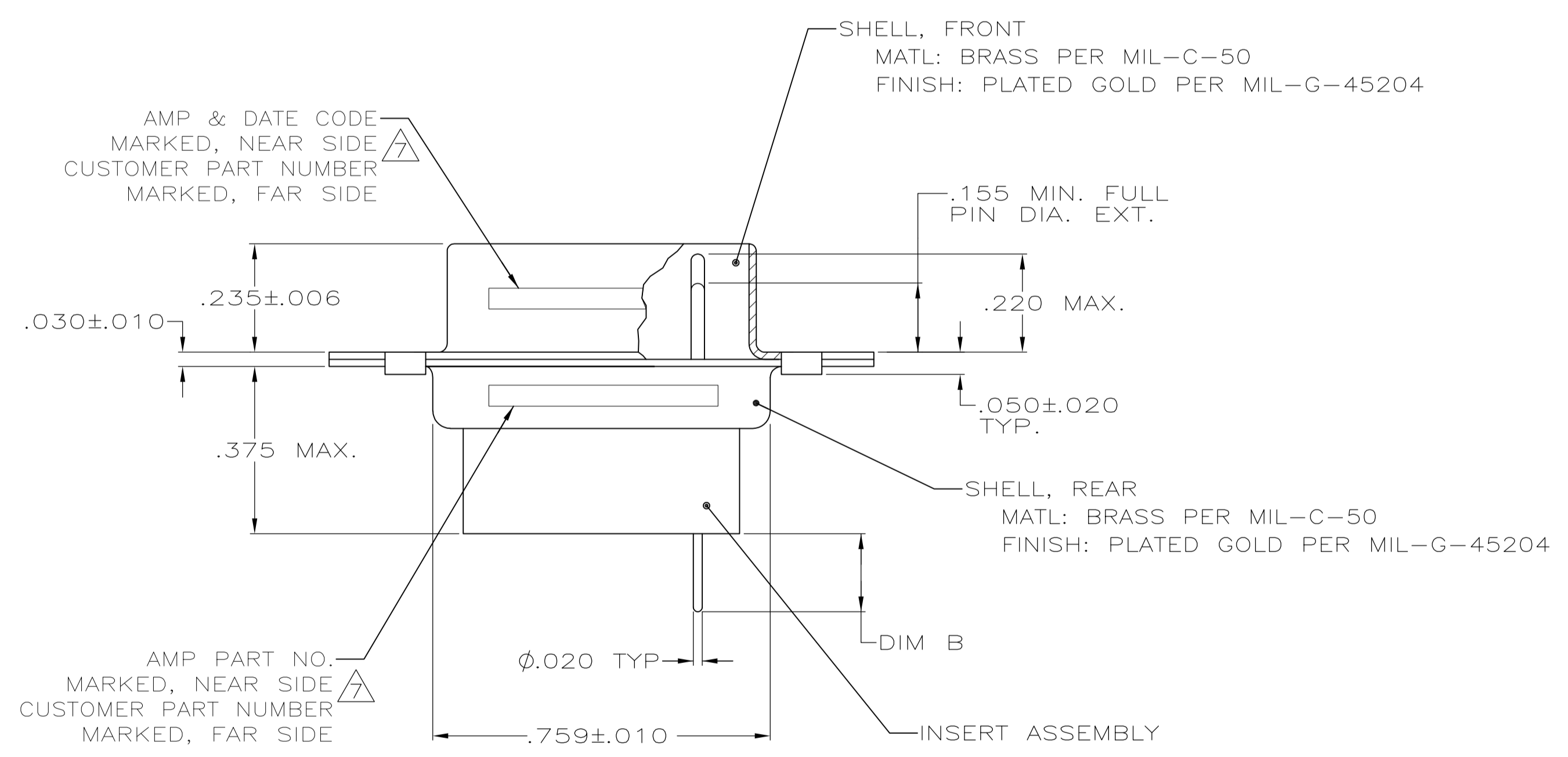
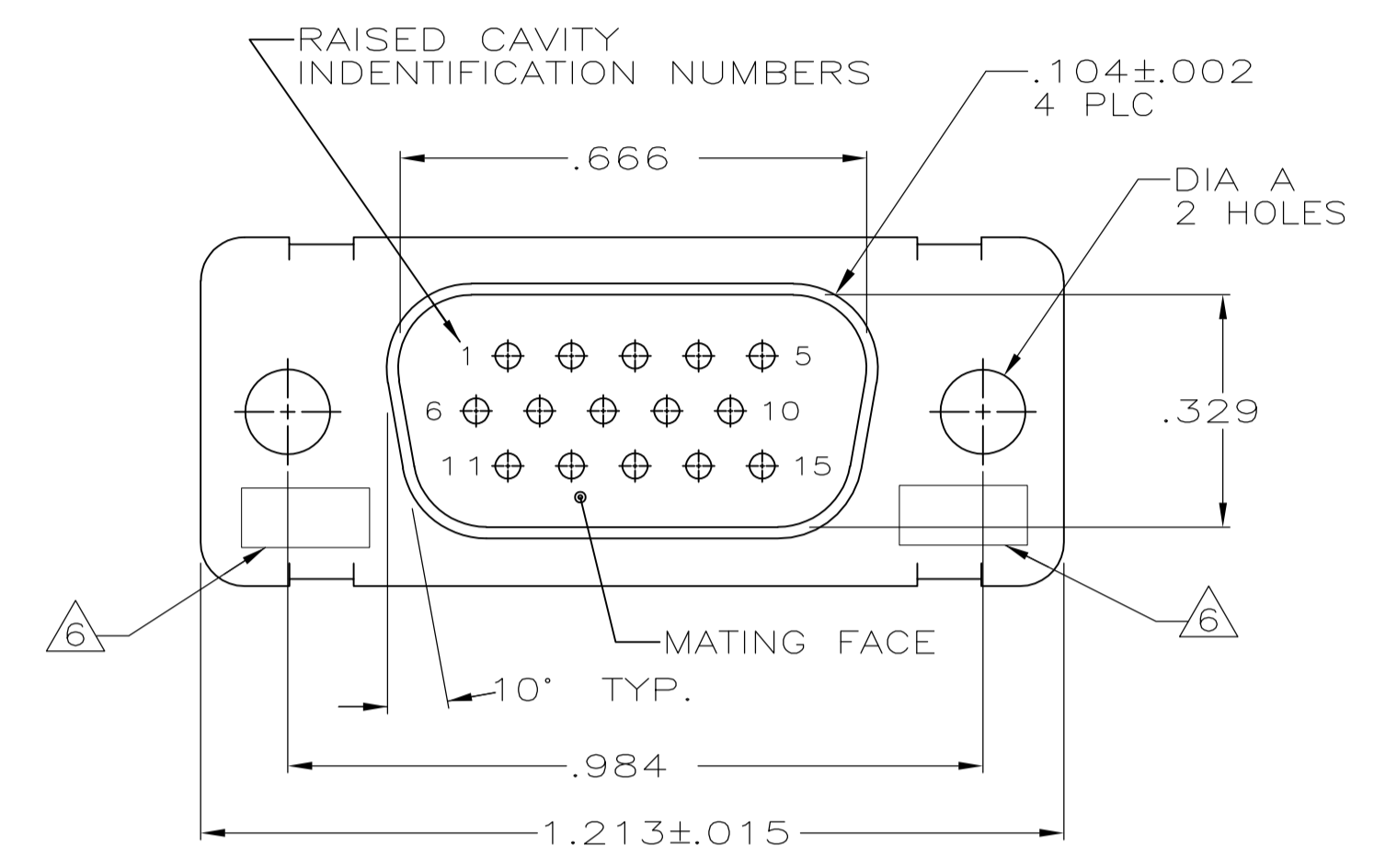
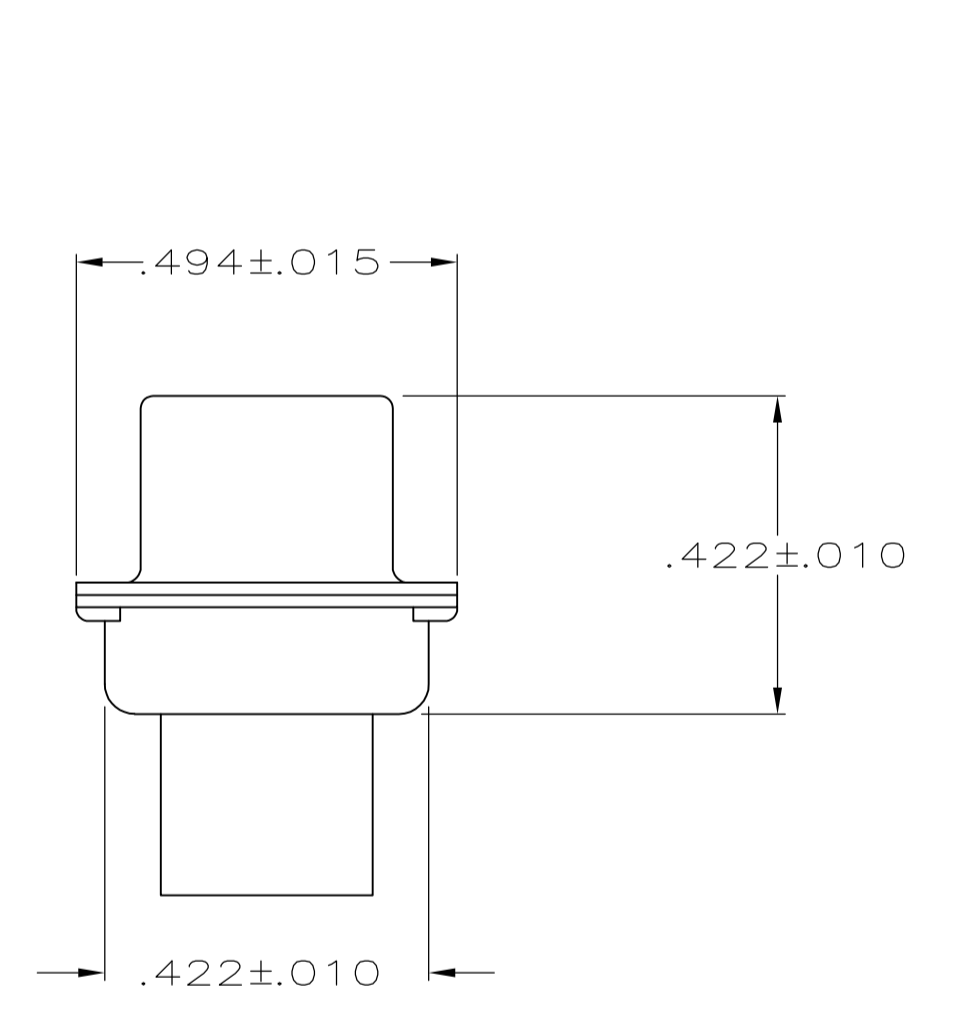


- THIS PLUG WILL MATE WITH ANY RECEPTACLE CONNECTOR WITH THE SAME INSERT ARRANGEMENT AS DEFINED BY MS18273-2.
- MAXIMUM WIRE INSULATION USED WITH THIS RCPT. IS .054 DIA.
- Be-Cu RETENTION CLIPS ARE INCLUDED IN INSERTS.
- AMP PART NO. ONLY, STAMPED AS SHOWN.
- THESE CONNECTORS ARE QUALIFIED TO GODDARD SPACE FLIGHT CENTER SPECIFICATION S-311-P-4.
- UL/CSA DESIGNATION STAMPED IN THIS AREA, OPTIONAL.
- CUSTOMER PART NUMBER MAY BE SPLIT BETWEEN FRONT AND REAR SHELLS, SAME SIDE.
- 25 CONTACTS, AMP PART NUMBER 204370-8, SUPPLIED WITH EACH CONNECTOR.
- CONNECTOR LOADED WITH POSTED CONTACTS. INSPECTION REQUIREMENTS PER GENERAL ELECTRIC DOCUMENT 20025720.
- RESTRICTED TO CAE ELECTRONICS.
- CONNECTOR LOADED WITH POSTED CONTACTS.
- CONNECTOR LOADED WITH POSTED CONTACTS. INSPECTION REQUIREMENTS PER LOCKHEED-MARTIN DOCUMENT 20131204



MATL: POLYPHENYLENE SULFIDE (PPS) GST-40F PER MIL-M-24519 OR GLASS FILLED POLYESTER, TPES013G30 PER ASTM D5927 COLOR, BLACK



CONTACT P/N 204370-8
GSFC G-08-P1
(SUPPLIED WITH 209498-8 ONLY)

PRELIMINARY	12	.150±.025	.120	20131204P2015P	1-206498-4	1-206498-4
			.120	570566-7	1-206498-3	1-206498-3
	11	.175±.025	.120	-	1-206498-2	1-206498-2
	10		.120	311P407-1P-B-12	206498-4	1-206498-1
	9		.154	311P407-1P-B-15	206498-1	1-206498-0
	8	.150±.025	.120	2002570P2015P	206498-9	206498-9
			.120	3261113-7	206498-8	206498-8
			.154	1622251-003	206498-7	206498-7
OBSOLETE			.120	R4383P15P	206498-6	206498-6
			.120	R4383P15P-2	206498-5	206498-5
	5		.120	311P407-1P-B-12	206498-4	206498-4
			.154	206498-3	206498-3	206498-3
			.120	R9259P15P	206498-2	206498-2
	3		.154	311P407-1P-B-15	206498-1	206498-1
REMARKS		DIM B	DIA A	MARKED CUSTOMER P/N	MARKED AMP P/N	AMP P/N

THIS DRAWING IS A CONTROLLED DOCUMENT.

BY: P. YEAGER 02OCT2006
CHK: D. MILLER 05OCT06
APPV: D. MILLER 06OCT06

TE Connectivity

PLUG, PIN CONTACTS
HI-DENSITY D CONNECTOR
SIZE 1, 15 POSN, NONMAGNETIC

SIZE: A1 00779 C=206498
SCALE: 4:1 SHEET 1 OF 1 REV AE