

Accessories - Capacitors

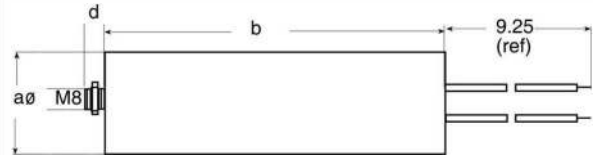
HOW TO USE CAPACITORS FOR MULTI-SPEED BLOWERS

It is possible to make any ebm blower with a PSC motor a multi-speed blower by adding a second or third capacitor on the load line (blue) at or near the value of the motor run capacitor. Actual capacitor value and RPM achieved are dependent on the nature of each application.

CAPACITORS

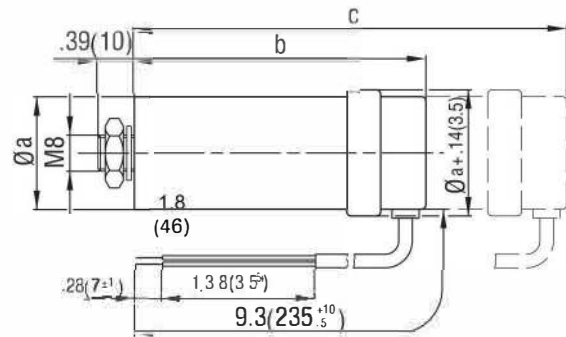
| Part Number | Size (mfd) | Temp. Range (°C) | Housing Type | Max. Dim in. (mm) | | |
|--------------|------------|------------------|--------------|-------------------|-------------|-------------|
| | | | | a | b | d |
| 2111-4-7320 | 1 | -25 to +85 | Plastic | 1 (25) | 1.9 (49) | 0.5 (12) |
| 99282-4-7320 | 1.5 | -25 to +85 | Aluminum | 1 (25) | 2 (50) | 0.5 (12) |
| 99283-4-7320 | 2 | -25 to +85 | Plastic | 1 (25) | 1.9 (49) | 0.5 (12) |
| 2103-4-7320 | 2.5 | -25 to +85 | Plastic | 1 (25) | 1.9 (48) | 0.5 (12) |
| 68462-4-7320 | 3 | -25 to +85 | Plastic | 1 (25) | 1.9 (48) | 0.5 (12) |
| 99284-4-7320 | 4 | -25 to +85 | Plastic | 1.2 (30) | 1.9 (48) | 0.5 (12) |
| 2101-4-7320 | 5 | -25 to +85 | Plastic | 1.2 (30) | 2.3 (58) | 0.5 (12) |
| 99285-4-7320 | 6 | -25 to +85 | Aluminum | 1.4 (35) | 2.2 (55) | 0.5 (12) |
| 99286-4-7320 | 8 | -25 to +85 | Plastic | 1.4 (35) | 2.3 (58) | 0.5 (12) |
| 99287-4-7320 | 10 | -25 to +85 | Plastic | 1.4 (35) | 2.7 (68) | 0.5 (12) |

(For larger sizes consult factory)



METAL CAPACITORS with ALUMINUM LID

| Part Number | Size (mfd) | Temp. Range (°C) | Max. Dim in. (mm) | | |
|--------------|------------|------------------|-------------------|--------------|--------------|
| | | | a | b | c |
| 2151-4-7320 | 1 | -25 to +85 | 1.2 (30) | 3 (77) | 3.3 (85) |
| 2155-4-7320 | 1.5 | -25 to +85 | 1 (25) | 3 (77) | 3.3 (85) |
| 2156-4-7320 | 2 | -25 to +85 | 1 (25) | 3 (77) | 3.3 (85) |
| 2159-4-7320 | 2.5 | -25 to +85 | 1.2 (30) | 3 (77) | 3.3 (85) |
| 2160-4-7320 | 3 | -25 to +85 | 1.2 (30) | 3 (77) | 3.3 (85) |
| 2161-4-7320 | 4 | -25 to +85 | 1.2 (30) | 4.2 (107) | 4.4 (112) |
| 2162-4-7320 | 5 | -25 to +85 | 1.2 (30) | 4.2 (107) | 4.4 (112) |
| 2163-4-7320 | 6 | -25 to +85 | 1.2 (30) | 4.2 (107) | 4.4 (112) |
| 2164-4-7320 | 7 | -25 to +85 | 1.4 (35) | 4.2 (107) | 4.4 (112) |
| 2165-4-7320 | 8 | -25 to +85 | 1.4 (35) | 4.2 (107) | 4.4 (112) |
| 2166-4-7320 | 10 | -25 to +85 | 1.4 (35) | 4 (102) | 4.2 (107) |
| 2167-4-7320 | 12 | -25 to +85 | 1.4 (35) | 4 (102) | 4.2 (107) |
| 90026-4-7320 | 14 | -25 to +85 | 1.6 (40) | 4 (102) | 4.2 (107) |
| 2168-4-7320 | 16 | -25 to +85 | 1.6 (40) | 4 (102) | 4.2 (107) |
| 2169-4-7320 | 20 | -25 to +85 | 1.6 (40) | 4.8 (122) | 5 (127) |
| 2170-4-7320 | 25 | -25 to +85 | 1.8 (45) | 4.8 (122) | 5 (127) |



- **Overpressure disconnect:** The protector responds to overload by the generated overpressure expanding the housing and snapping off the internal lead at a predetermined breaking point

- **Installation:** "c" is the overall dimension after operation of overpressure disconnecter which has to be taken into account when mounting the part

Accessories

with UL and cUL Approvals

| Part Number | Size (mfd) | Temp Range °C | Dimensions | | | | | |
|-------------|------------|---------------|------------|-------|------|------|-------|-------|
| | | | H | | B | | D | |
| | | | in | mm | in | mm | in | mm |
| 450-21-0017 | 1 | -40 to +85 | 2.00 | 50.8 | 1.75 | 44.5 | 1.875 | 47.63 |
| 450-21-0018 | 1.5 | -40 to +85 | | | | | | |
| 450-21-0019 | 2 | -40 to +85 | | | | | | |
| 450-21-0020 | 2.5 | -40 to +85 | | | | | | |
| 450-21-0021 | 3 | -40 to +85 | | | | | | |
| 450-21-0022 | 4 | -40 to +85 | 3.125 | 79.38 | 2.00 | 50.8 | 2.125 | 53.98 |
| 450-21-0023 | 5 | -40 to +85 | | | | | | |
| 450-21-0024 | 6 | -40 to +85 | | | | | | |
| 450-21-0026 | 8 | -40 to +85 | 3.875 | 98.43 | 2.5 | 63.5 | 2.625 | 66.68 |
| 450-21-0027 | 10 | -40 to +85 | | | | | | |
| 450-21-0028 | 12 | -40 to +85 | | | | | | |
| 450-21-0029 | 16 | -40 to +85 | | | | | | |
| 450-21-0030 | 20 | -40 to +85 | | | | | | |
| 450-21-0031 | 25 | -40 to +85 | | | | | | |
| 450-21-0033 | 30 | -40 to +85 | | | | | | |
| 450-21-0034 | 40 | -40 to +85 | | | | | | |

| Part Number for Boot | Dimensions | | | | | | | |
|----------------------|------------|------|-----|------|-----|-------|-----|-------|
| | A | | B | | C | | D | |
| | in | mm | in | mm | in | mm | in | mm |
| 710-00-0042 | 1.75 | 44.4 | 1.5 | 38.1 | | | | |
| 710-00-0166 | 2.00 | 50.8 | 1.5 | 38.1 | | | | |
| 710-00-0167 | | | | | 2.3 | 58.42 | 2.3 | 58.42 |

* UL File # for capacitors
UL File # for Boot

E229850
MH17276

