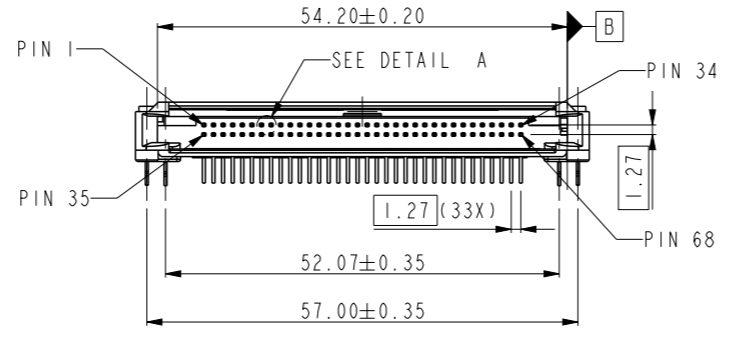
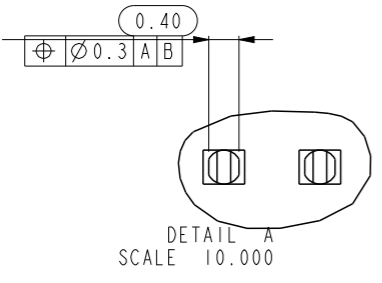
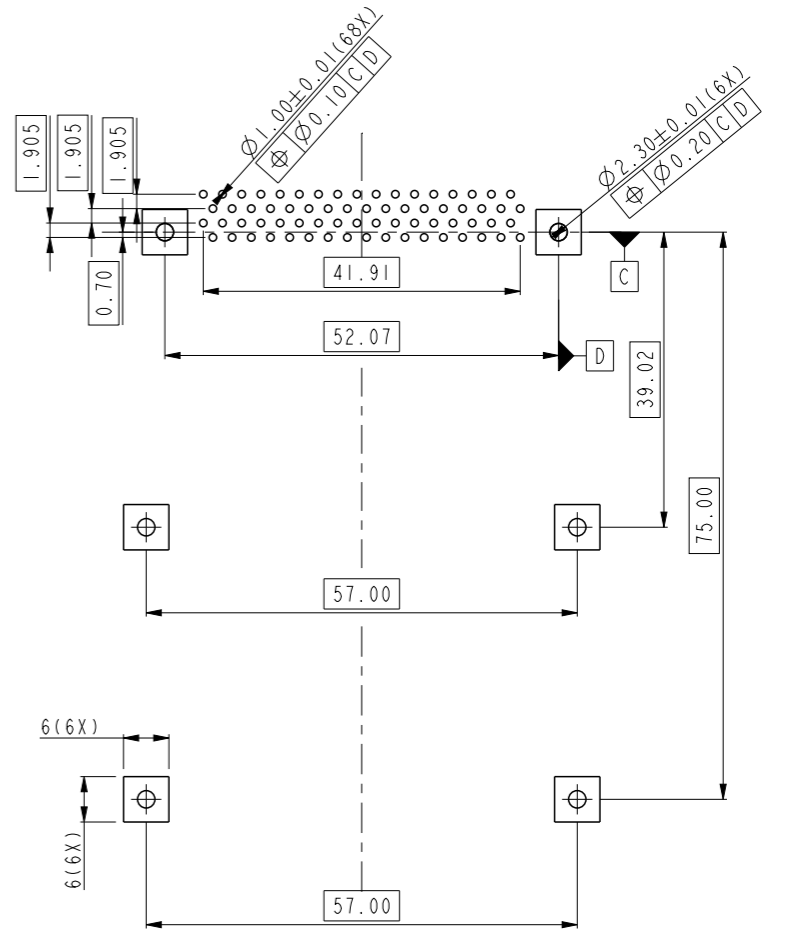
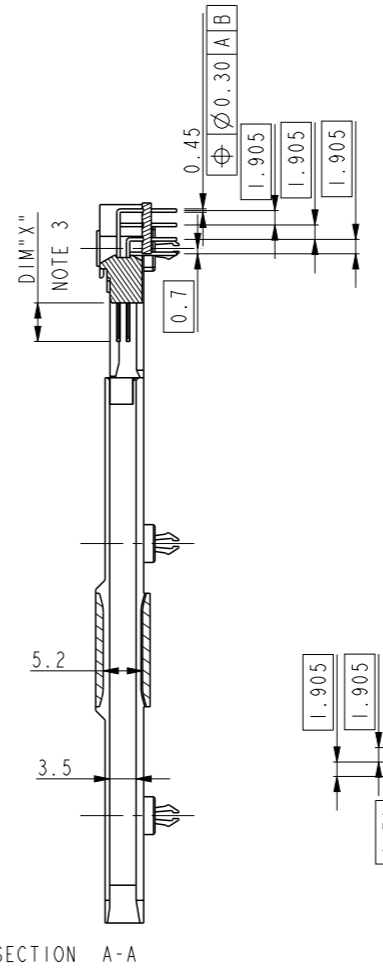
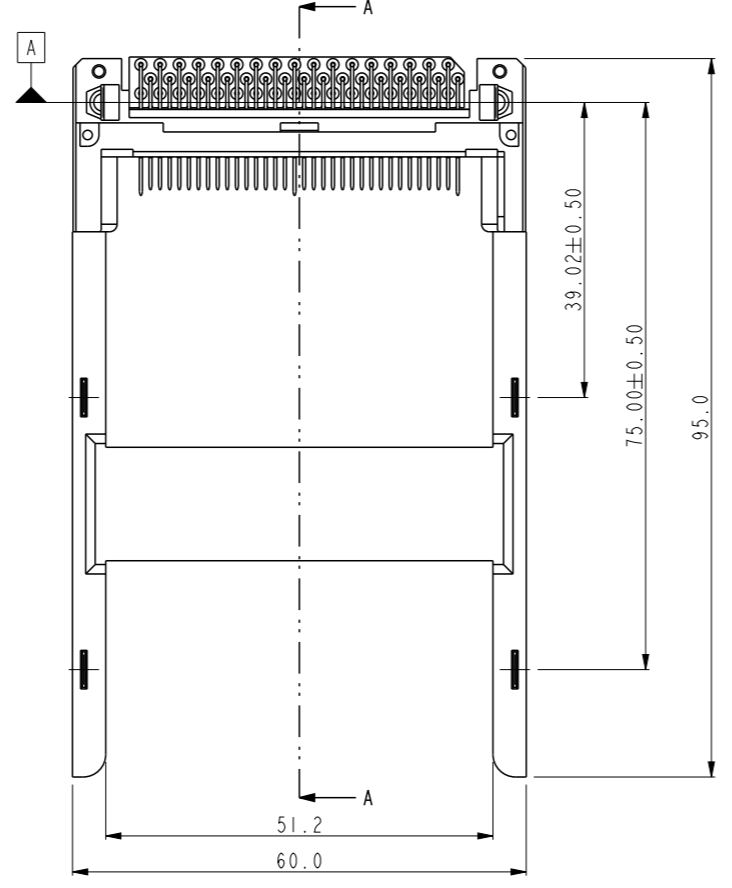
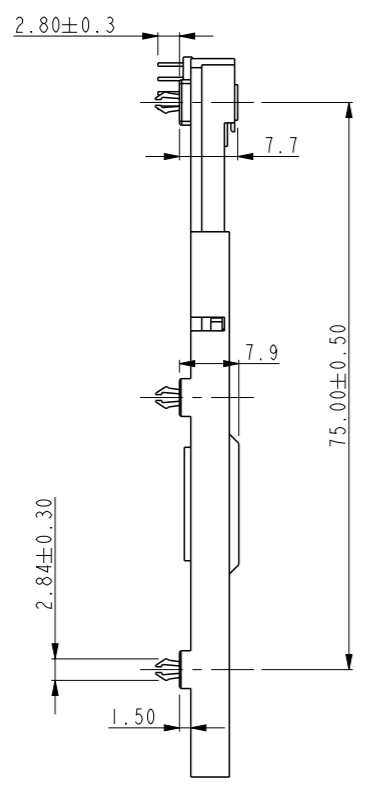


PRODUCT NUMBER	STAND OFF
10120751-015LF	1.5MM



- NOTES:
- MATERIAL:
HOUSING : HIGH TEMPERATURE THERMOPLASTIC, UL94-V0 BLACK.
PIN: COPPER ALLOY
 - FINISH(PIN)
2-1. Ni UNDER PLATING 1.27MM THICKNESS MIN. ALL OVER
2-2. 0.076uM Au MIN. AT CONTACT AREA
2-3. PURE TIN PLATING 2.5uM THICKNESS MIN.
 - | | | | |
|------------|--------|----------|------------------|
| PIN NUMBER | OTHERS | 36,37 | 1,17,34,35,51,68 |
| DIM"X" | | 4.25±0.1 | 3.5±0.1 |
| | | | 5.0±0.1 |
 - THIS PART WILL WITHSTAND EXPOSURE TO 260°C PEAK TEMPERATURE FOR 10 SECOND IN A WAVE SOLDER APPLICATION WITH 1.60MM MINIMUM THICK CIRCUIT BOARD.
 - THIS PART MEETS EUROPEAN UNION DIRECTIVES AND OTHER COUNTRY REGULATIONS AS DESCRIBED IN GS-22-008
 - PRODUCT SPEC: 110-263.

spec ref	-	dr	Zheng-Kun Hu	2013/03/12
tolerance std	ISO 406 ISO 1101	eng	Zheng-Kun Hu	2013/03/13
	TOLERANCES UNLESS OTHERWISE SPECIFIED	chr	-	-
surface	ISO 1302	appr	Rick Bian	2013/03/13
linear	0.X ±0.3 0.XX ±0.20 0.XXX ±0.10			
angular	0° ±2°			

projection	MM	size	A3	scale	1.000
product family	-	ecn no	-	rel level	Released
title	68POS 3.3V PCMCIA ASSEMBLY		dwg no	10120751	rev
	HALOGEN-FREE PRODUCT				A
cat. no.	-	Product - Customer Drw	sheet 1 of 1		



Copyright FCI.