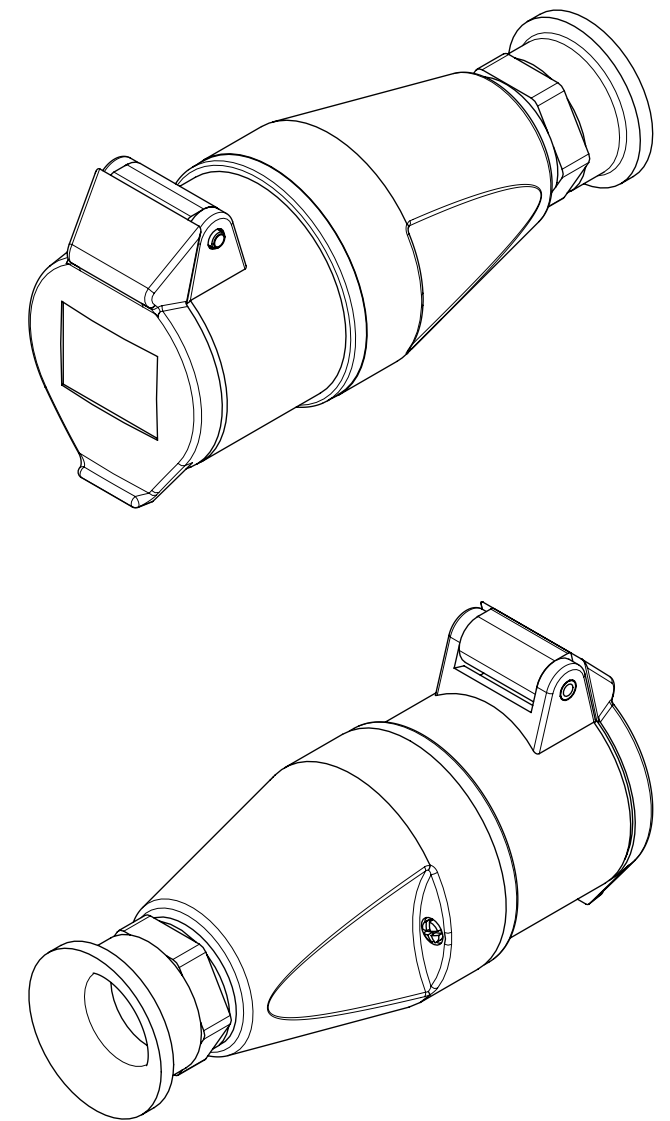
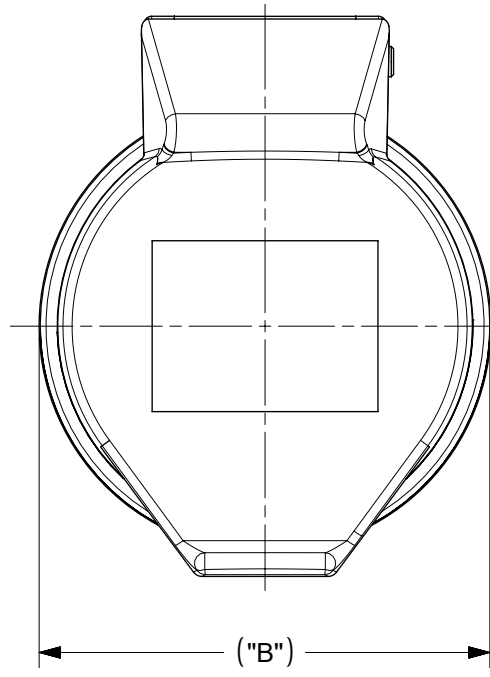
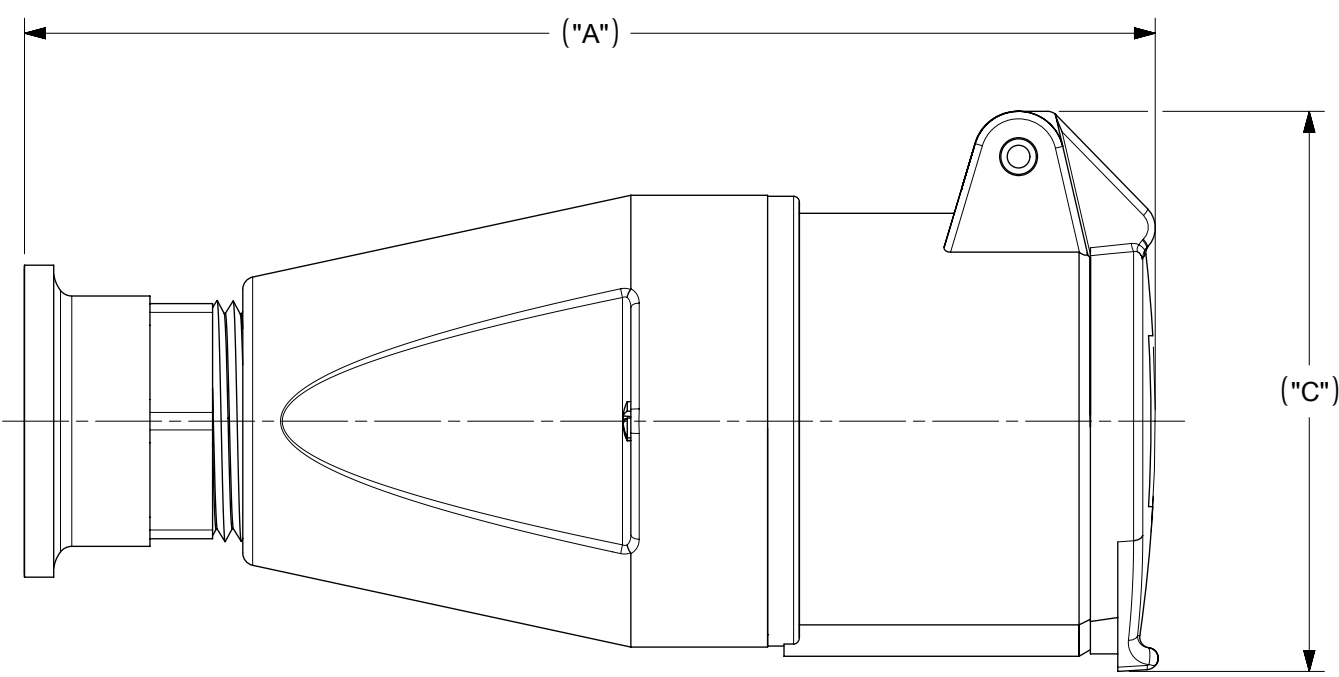


AMPS	TYPE	DIMENSIONS:			CORD GRIP RANGE:
		("A")	("B")	("C")	
20	3 WIRE	5.32 [135.0]	2.01 [51.0]	2.68 [68.0]	.275 [7.0] - .530 [13.5]
20	4 WIRE	5.95 [151.0]	2.56 [65.0]	3.35 [85.0]	.395 [10.0] - .825 [21.0]
20	5 WIRE	5.95 [151.0]	2.56 [65.0]	3.35 [85.0]	.395 [10.0] - .825 [21.0]
30	4 WIRE	6.73 [171.0]	2.83 [72.0]	3.58 [91.0]	.650 [16.5] - 1.10 [28.0]
60	4 WIRE	10.0 [255.0]	3.78 [96.0]	4.49 [114.0]	.650 [16.5] - 1.50 [38.0]



NOTES:

- THE BELOW SAFEWAY PIN AND SLEEVE CONNECTOR ARE SUPPLIED WITH A CABLE GLAND, AND ARE RATED IP44.

POLE/WIRE	AMPS	VOLTAGE	MATERIAL No.	ENGINEERING No.	COLOR
2-Pole/3-Wire		125	1301500036	320C4	Yellow
		250	1301500039	320C6	Blue
		277	1301500038	320C5	Gray
3-Pole/4-Wire	20	125/250	1301500124	420C12	Orange
		3ø250	1301500288	420C9	Blue
		3ø480	1301500127	420C7	Red
		3ø600	1301500125	420C5	Black
4-Pole/5-Wire		3øY 120/208	1301500229	520C9	Blue
		3øY 277/480	1301500227	520C7	Red
3-Pole/4-Wire	30	3ø480	1301500157	430C7	Red
3-Pole/4-Wire	60	125/250	1301500185	460C12	Orange
		3ø250	1301500191	460C9	Blue
		3ø480	1301500189	460C7	Red
		3ø600	1301500187	460C5	Black

FUNCTIONAL SYMBOLS	THIS DRAWING CONTAINS INFORMATION THAT IS PROPRIETARY TO MOLEX ELECTRONIC TECHNOLOGIES, LLC AND SHOULD NOT BE USED WITHOUT WRITTEN PERMISSION			
	DIMENSION UNITS	SCALE	CURRENT REV DESC: CREATING NEW SALES DRAWING	
$\nabla = 0$	INCH/MM	NTS	<p>molex</p> <p>SPLASHPROOF SAFEWAY IEC309 PIN & SLEEVE CONNECTOR 20, 30, & 60A & 3, 4, & 5 WIRE</p> <p>PRODUCT CUSTOMER DRAWING</p> <p>DOCUMENT NUMBER: 1301500157 DOC TYPE: PSD DOC PART: 000 REVISION: A</p> <p>MATERIAL NUMBER: SEE TABLE CUSTOMER: GENERAL MARKET SHEET NUMBER: 1 OF 1</p>	
$\nabla = 0$	GENERAL TOLERANCES (UNLESS SPECIFIED)			
$\nabla = 0$	MM	INCH		
DIVISIONAL SYMBOLS	4 PLACES	±		
	3 PLACES	±		
	2 PLACES	±		
	1 PLACE	±		
	0 PLACES	±		
	ANGULAR TOL	± °		
	DRAFT WHERE APPLICABLE MUST REMAIN WITHIN DIMENSIONS		THIRD ANGLE PROJECTION	DRAWING: B-SIZE
			SERIES: 130150	