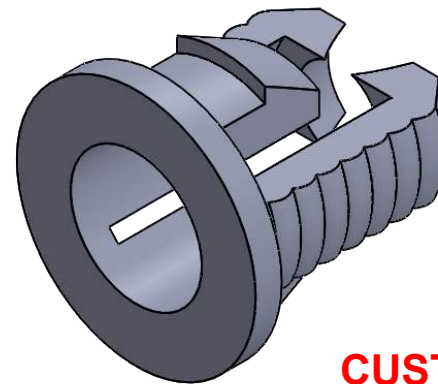
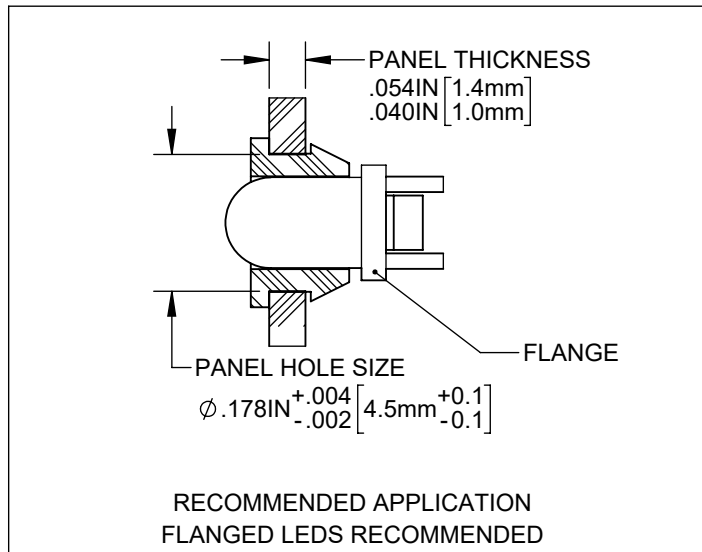
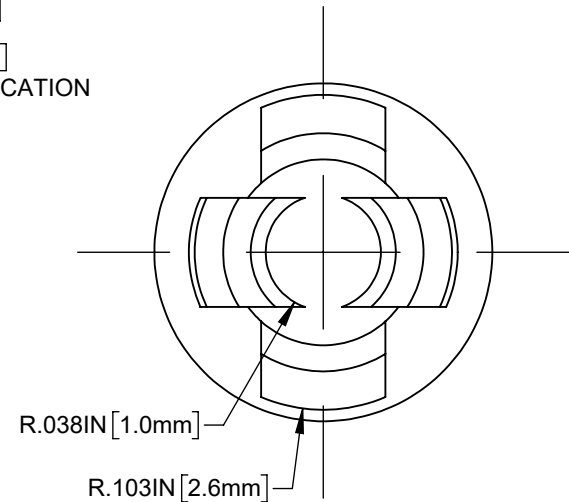
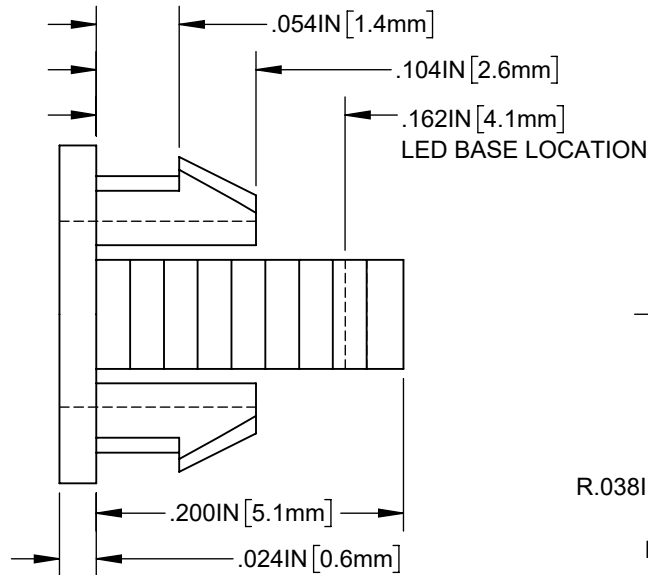
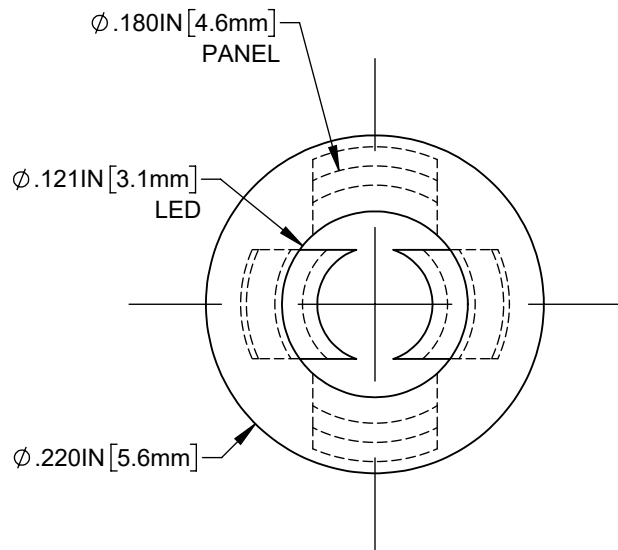


REVISIONS			
REV.	DESCRIPTION	DATE	APPROVED
D	Engineering	2/24/04	M.C.
E	Removed Material Code	05/28/16	J.C.
F	Typo Correction	01/16/19	G.O.
G	Add changes per ECO-1100	10/1/21	A.V.



CUSTOMER USE DRAWING

NOTES:

- GENERAL SPECIFICATIONS: BIVAR MOLDED COMPONENT SPECIFICATIONS: BV00-E101.
- MATERIAL: NYLON 6/6, 94V-0, BLACK.

STANDARD TOLERANCE (UNLESS OTHERWISE SPECIFIED)		 4 THOMAS, IRVINE, CA. 92618 TEL: (949) 951-8808 FAX: (949) 951-3974	
DECIMALS	ANGULAR		
.X $\pm .1$	X° $\pm 1^\circ$	TITLE: T-1 (3mm) LED SELF-RETAINING CLIP	
.XX $\pm .01$			
.XXX $\pm .005$		DRAWING NO: C-103-SR REVISION: G	
DESIGNED: M. PAGDONSOLAN	DATE: 9/29/2021	SHEET SIZE A	CAGE CODE: 32559
REVISID:	DATE:		
CHECKED: A. VALDEZ	DATE: 10/1/2021	SCALE: 8:1	SHEET # 1 OF 1
CAD GENERATED DOCUMENT, DO NOT MEASURE DRAWING			