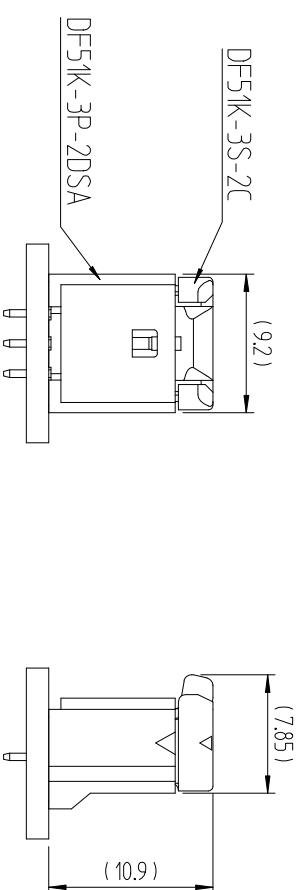
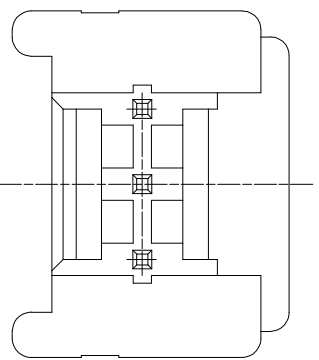
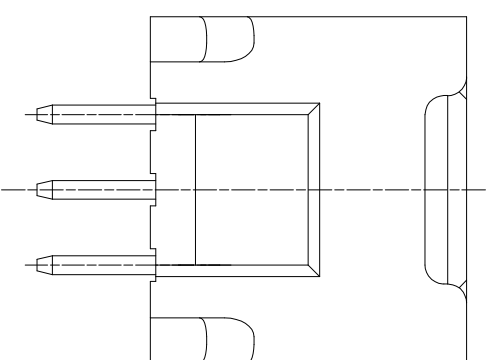
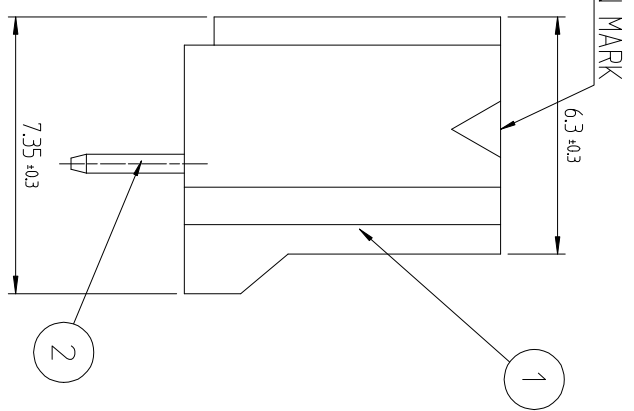
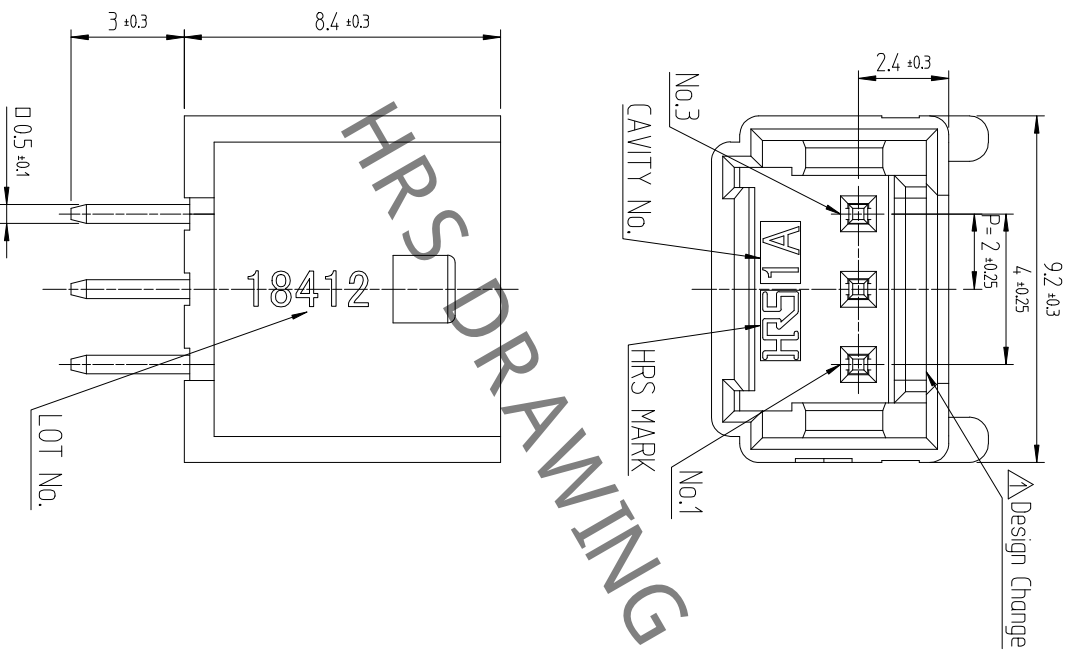
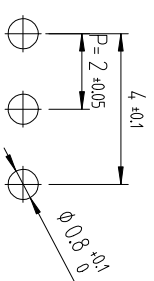


△数 COUNT	訂正事項 DESCRIPTION OF REVISIONS	檢査 CHKD	年月日 DATE	△数 COUNT	訂正事項 DESCRIPTION OF REVISIONS	檢査 CHKD	年月日 DATE
1	RE-6-1150	K.I.Y	18.07.04				
2	RE-6-1579	K.I.Y	20.01.23				

RECOMMENDED LAND PATTERN (FREE)
 (PCB THICKNESS t=1.6mm)



ENGAGEMENT FIGURE (2:1)

NOTE 1. 1PACK CONTAINS 100PCS.

2. () DIMENSIONS ARE ONLY REFERENCE.

△ 3. UL-File No. E132750) AUTHORIZATION ARTICLE.

C-UL-File No. E132750) AUTHORIZATION ARTICLE.



1	△ PA66	UL94V-0, BLACK	2	BRASS	GOLD PLATING 0.1μm MIN, OVER NICKEL 0.5μm MIN					
NO.	MATERIAL	FINISHREMARKS	NO.	MATERIAL	FINISHREMARKS					
CODE NO. (OLD)				CODE NO.						
DRAWN		CHOI JS	DESIGNED	CHOI JS	CHECKED	LIM SM	APPROVED	KANG T.S	RELEASED	ENG DEPT
SCALE		5:1	DRAWING NO.		EDC3-632303		PART NO.		DF51K-3P-2DSA (805)	
UNITS		mm	HRS		HIROSE KOREA CO.,LTD.		CODE NO.		CL 6652-0002-4-805	

1 2 3 4 5 6 7 8

A B C D E F