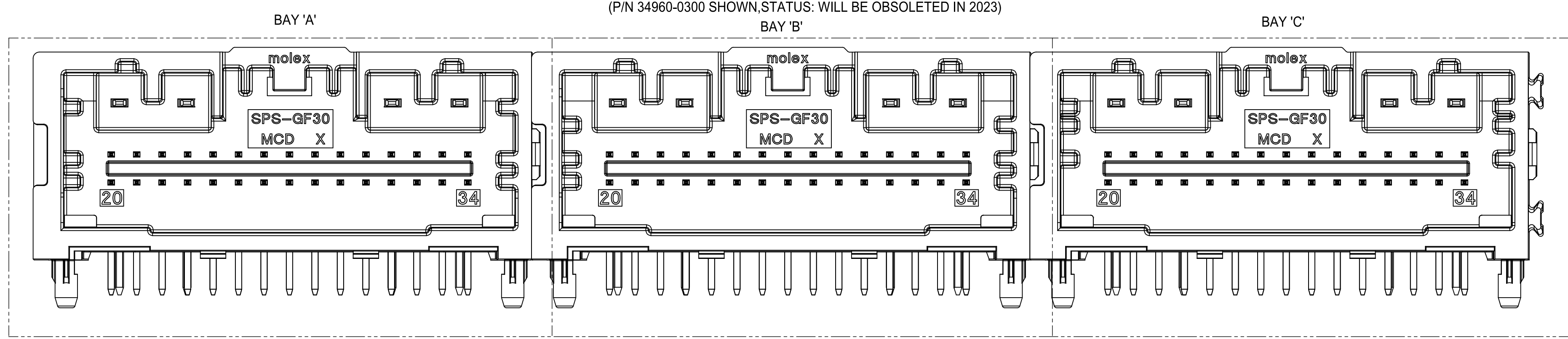


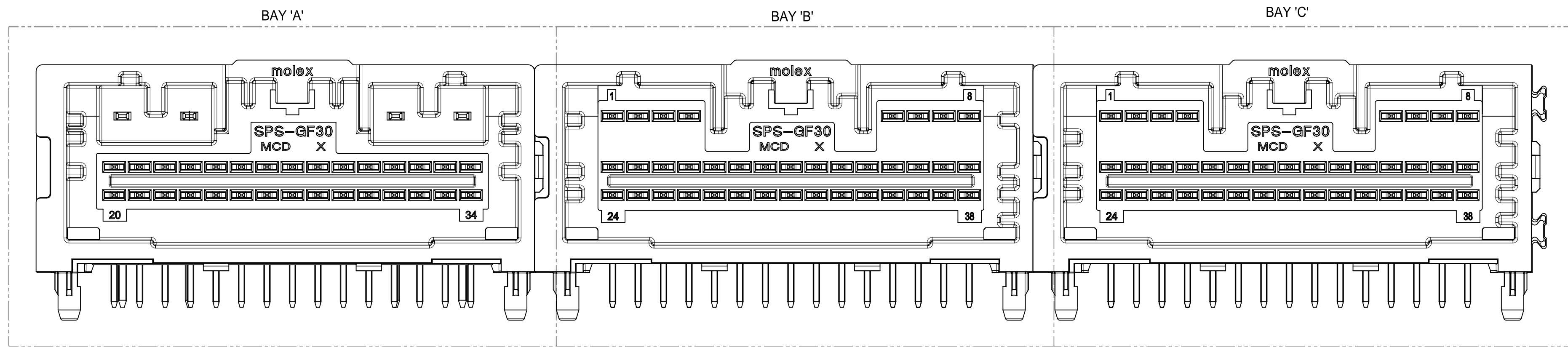
TABLE OF CONTENTS	
SHEET NO.	SHEET DESCRIPTION
1	NOTES, INSPECTION BALLOON NUMBER LOG, REV. COLUMN, 3-BAY MINI50 RIGHT ANGLE HEADER ASSEMBLY VIEW, NOMINAL DIMENSION RANGE
2	DIMENSIONAL CHART FOR MULTIBAY CONFIGURATION DEPOLULATED HEADER PIN CONFIGURATION
3	DETAIL DIMENSION VIEW

- NOTES: VALID UNLESS OTHERWISE SPECIFIED
- GENERAL:
 - PRODUCT SPECIFICATION: PS-34959-001
 - APPLICATION SPECIFICATION: AS-34959-001
 - PACKAGING SPECIFICATION PER MOLEX DRAWING PK-31302-070 (TRAY)
 - PACKAGING SPECIFICATION PER MOLEX DRAWING PK-31301-688 (TUBE)
 - TEST SUMMARY: TS-34961-001
 - COSMETIC SPECIFICATION: PS-45499-002 Class B
 - GEOMETRIC TOLERANCING: SEE DIN 16901 TABLE
 - MATES WITH: SD-34959-030
 - DESIGN: MATERIALS:
 - SHROUD (PLASTIC HOUSING): RESIN - SPS
 - PIN ALIGNMENT PLATE:
 - RESIN - SPS
 - COLOR: BLACK
 - 0.50mm BLADES:
 - BASE MATERIAL: BRASS
 - PLATING TYPE: AS NOTED
 - 1.20mm BLADES:
 - BASE MATERIAL: BRASS
 - PLATING TYPE: AS NOTED
 - PLATING REQUIREMENTS:
 - UNDERPLATING - OVERALL NICKEL
 - OVERPLATING - OVERALL REFLOW TIN
 - FOR DESCRIPTION OF INDIVIDUAL BAYS, REFER TO THE FOLLOWING SINGLE BAY DRAWINGS:
 - PART NUMBER: 34961-03XX, REFER TO SD-34961-030
 - PART NUMBER: 34961-13XX, REFER TO SD-34961-130

3-BAY MINI50 RIGHT ANGLE HEADER ASSEMBLY
PIN INSERTION DIRCTION FROM PCB SIDE TO MATING SIDE
(P/N 34960-0300 SHOWN, STATUS: WILL BE OBSOLETE IN 2023)



3-BAY MINI50 RIGHT ANGLE HEADER ASSEMBLY
PIN INSERTION DIRCTION FROM MATING SIDE TO PCB SIDE
(P/N 34960-0318 SHOWN, STATUS: SALEABLE)



B2	SHEET 1: ADDED VIEW OF 3BAY DIFFERENET PIN INSERTION DIRCTION'S HEADER SHEET 2: ADDED NEW PART NUMBER	CO-00000686
B1	1. SHEET 1: UPDATED NOTES INFORMATION. 2. SHEET 2: ADDED NEW PART NUMBER : 34960-0314 3. SHEET 3: UPDATED POST HOLE SIZE IN RECOMMENDED PCB LAYOUT 4. SHEET 3: UPDATED DIM 1: 2.75±0.50 WAS 2.73±0.50 5. SHEET 3: ADDED DIMENISON 2a, 2b, 3a 6. SHEET 3: REMOVED DIMENSION 2,4,5,7,8,9,10,11	640175
B	ADDED NEW 3_BAY PART NUMBER IN SHEET 1: 34960-0311/34960-0312	613433
REV	REV DESCRIPTION	ECN SAP NO.

INSPECTION BALLOON NUMBER LOG	
PER DRAWING REVISION:	B2
LAST BALLOON NUMBER USED:	6a
ADDED BALLOON NUMBERS:	
REMOVED BALLOON NUMBERS:	

DIN 16901	CODE LETTER	NOMINAL DIMENSION RANGE													
		OVER UP TO	0	1	3	6	10	15	22	30	40	53	70	90	120
PRECISION	A	±0.10	±0.12	±0.14	±0.16	±0.20	±0.22	±0.24	±0.26	±0.28	±0.31	±0.35	±0.40	±0.50	
ENGINEERING	B	±0.05	±0.06	±0.07	±0.08	±0.10	±0.12	±0.14	±0.16	±0.18	±0.21	±0.25	±0.30	±0.40	

A: FOR NON-MOLD RELATED DIMENSIONS (ACROSS PARTING LINE)
B: FOR MOLD RELATED DIMENSIONS (WITHIN MOLD COMPONENTS)

FUNCTIONAL SYMBOLS	THIS DRAWING CONTAINS INFORMATION THAT IS PROPRIETARY TO MOLEX ELECTRONIC TECHNOLOGIES, LLC AND SHOULD NOT BE USED WITHOUT WRITTEN PERMISSION		CURRENT REV DESC: REFER TO REVISION COLUMN	
FA = 0	DIMENSION UNITS: mm	SCALE: 4:1		
FC = 0	GENERAL TOLERANCES (UNLESS SPECIFIED)		PHASE: Design Production	
FP = 0	ANGULAR TOL ± 1.0°		CO NO: CO-00000686	
DIVISIONAL SYMBOLS	4 PLACES ±		DRWN: Shanks Wu 2022-06-08	
	3 PLACES ±		CHK'D: Ringo Hu 2022-06-28	
	2 PLACES ±		APPR: Colin Zhang 2022-07-04	
	1 PLACE ±		INITIAL REVISION:	
	0 PLACES ±		DRWN: RFC_PLMIMP	
			APPR:	
	DRAFT WHERE APPLICABLE MUST REMAIN WITHIN DIMENSIONS	THIRD ANGLE PROJECTION	DRAWING: D-SIZE	SERIES: 34960
			MATERIAL NUMBER: SD-34960-0300	CUSTOMER: GENERAL MARKET
			DOC TYPE: PSD	DOC PART: 001
			REVISION: B2	SHEET NUMBER: 1 OF 3

molex

34 & 38 CKT MINI50 3-BAY
R/A HEADER ASSEMBLY SALES DRAWING

PRODUCT SALES DRAWING

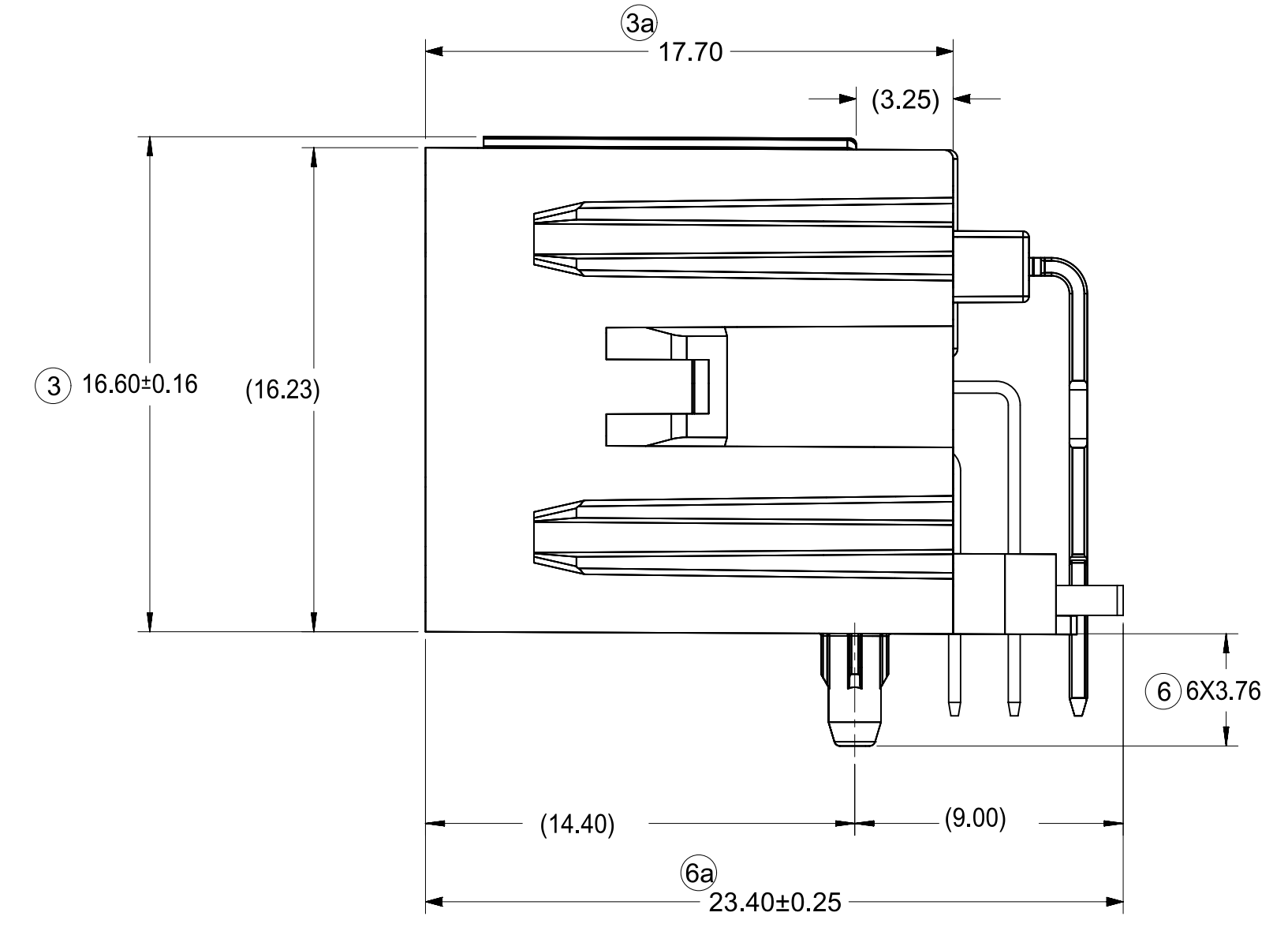
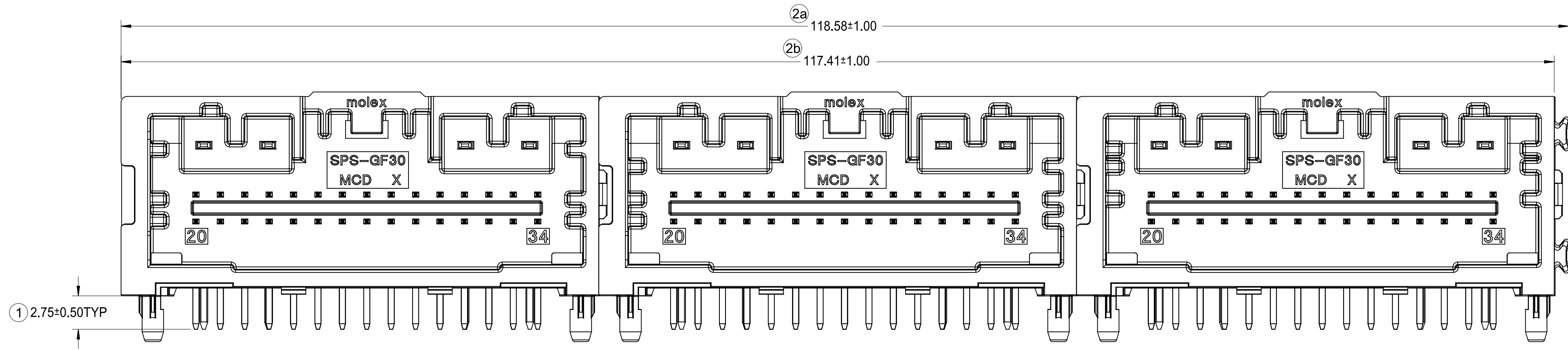
DOCUMENT NUMBER: SD-34960-0300

PSD 001 B2

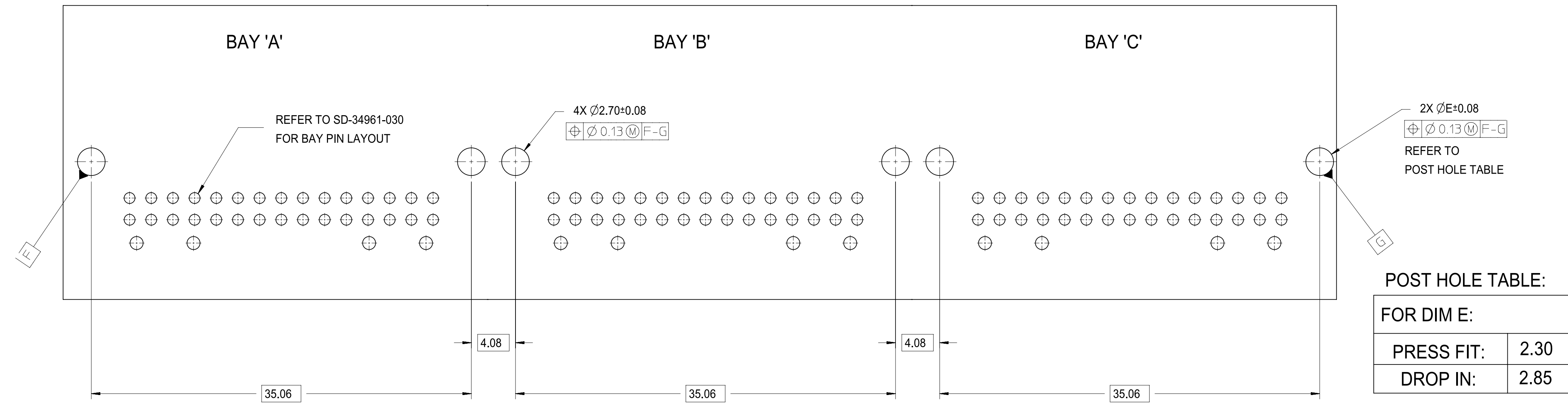
GENERAL MARKET

1 OF 3

TABLE OF CONTENTS	
SHEET NO.	SHEET DESCRIPTION
3	DETAIL DIMENSION VIEW

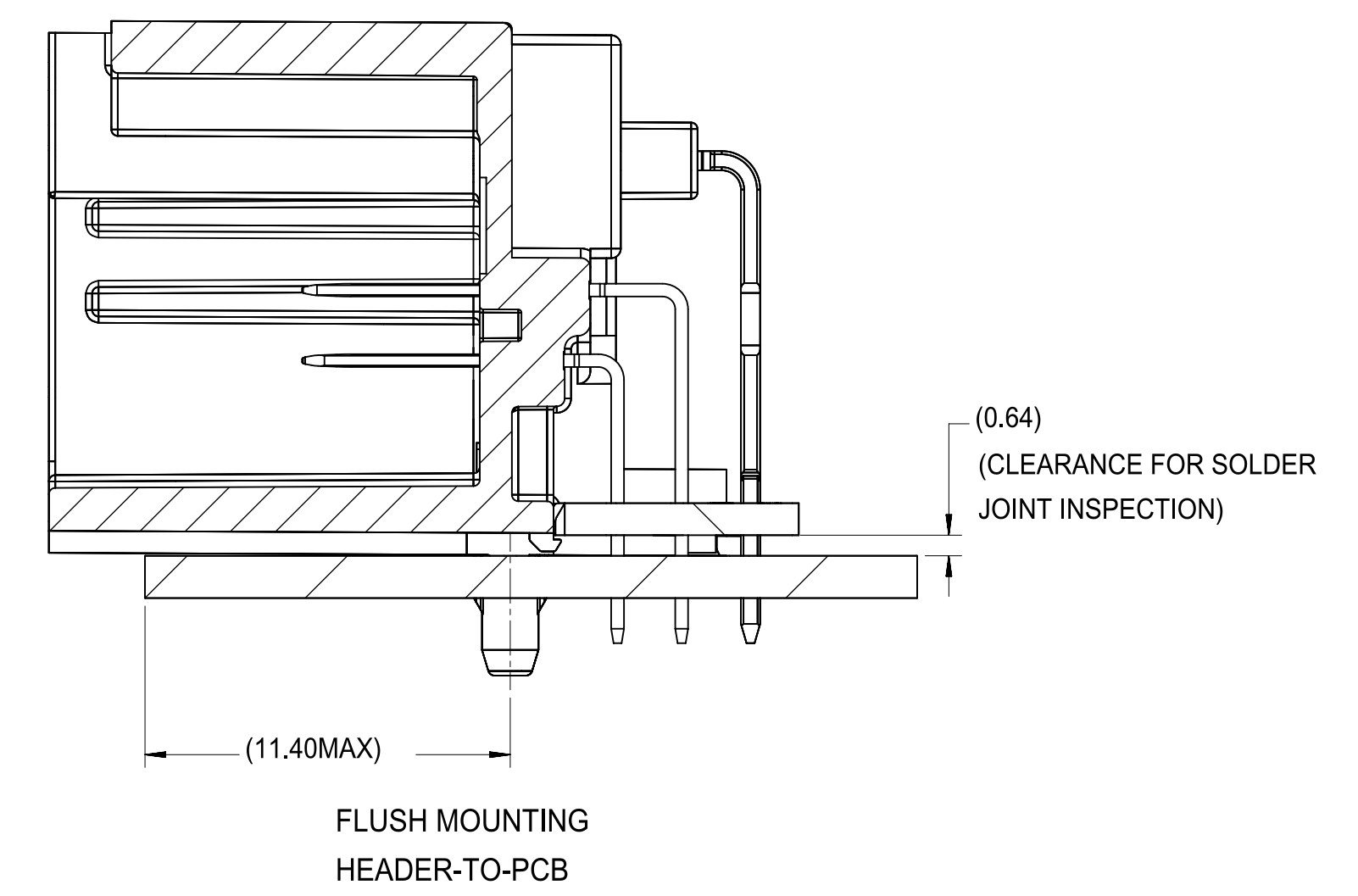


RECOMMENDED PCB LAYOUT



POST HOLE TABLE:
FOR DIM E:

PRESS FIT:	2.30
DROP IN:	2.85



FUNCTIONAL SYMBOLS FA = 0 FC = 0 FP = 0	THIS DRAWING CONTAINS INFORMATION THAT IS PROPRIETARY TO MOLEX ELECTRONIC TECHNOLOGIES, LLC AND SHOULD NOT BE USED WITHOUT WRITTEN PERMISSION		CURRENT REV DESC: REFER TO REVISION COLUMN	
	DIMENSION UNITS: mm	SCALE: 1:1		
DIVISIONAL SYMBOLS	GENERAL TOLERANCES (UNLESS SPECIFIED)		PHASE: Design Production	
	ANGULAR TOL ± 1.0°		CO NO: CO-00000686	
	4 PLACES ±	DRWN: Shanks Wu		2022-06-08
	3 PLACES ±	CHK'D: Ringo Hu		2022-06-28
	2 PLACES ±	APPR: Colin Zhang		2022-07-04
INITIAL REVISION:		PRODUCT SALES DRAWING		
DRWN: RFC_PLMIMP		DOCUMENT NUMBER: SD-34960-0300		DOC TYPE: PSD
APPR:		DOC PART: 001		REVISION: B2
DRAFT WHERE APPLICABLE MUST REMAIN WITHIN DIMENSIONS		THIRD ANGLE PROJECTION	DRAWING: D-SIZE	SERIES: 34960
		MATERIAL NUMBER: GENERAL MARKET		SHEET NUMBER: 3 OF 3

molex

34 & 38 CKT MINI50 3-BAY
R/A HEADER ASSEMBLY SALES DRAWING

PRODUCT SALES DRAWING

DOCUMENT NUMBER: SD-34960-0300
DOC TYPE: PSD
DOC PART: 001
REVISION: B2

MATERIAL NUMBER: GENERAL MARKET
CUSTOMER: GENERAL MARKET
SHEET NUMBER: 3 OF 3