

CODE	DIM "M" MATING LENGTH	CONTACT TYPE
PA	[1.07]	POWER
H	[N/A]	SIGNAL
G	[N/A]	SIGNAL
F	[N/A]	SIGNAL
E	[N/A]	SIGNAL
PC	[2.34]	POWER

spec ref	See Notes		dr	Julia Wang	2011/09/28	projection 	MM 	size	A4	scale	1:1	
tolerance std	TOLERANCES UNLESS OTHERWISE SPECIFIED		eng	Julia Wang	2011/10/09			ecn no	-			
See Notes			chr	-	-			rel level	Released			
surface	linear	0.X	±0.5	FCI www.fci.com	title	product family		PwrBlade	dwg no	51915-323	rev	A
		0.XX	±0.25			R/A STB RECEPTACLE						
		0.XXX	±0.1			cat. no.	-	Product - Customer Drw				sheet 1 of 4
	angular	0°	±2°									



Copyright FCI.

PrdrE File - REV C - 2009-06-09

A

B

C

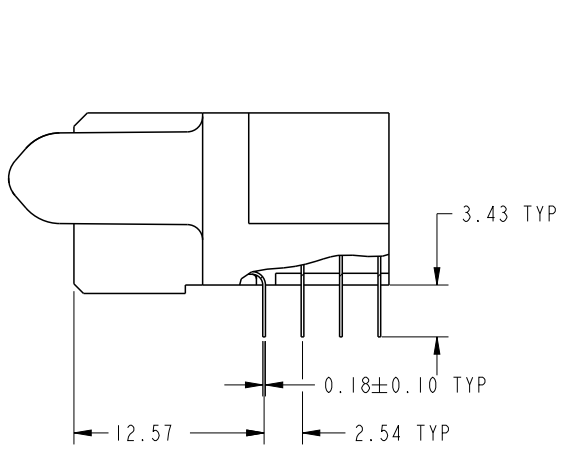
D

A

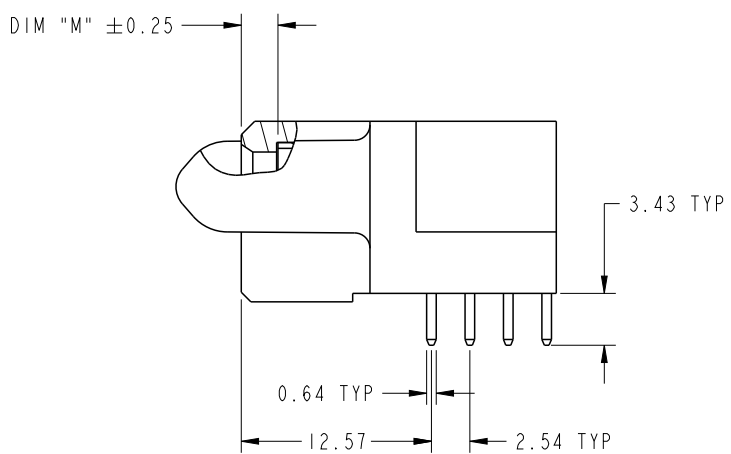
B

C

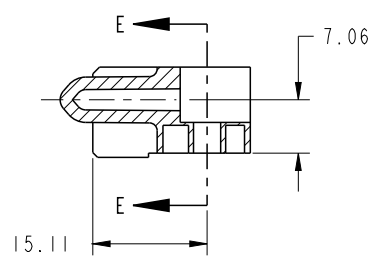
D



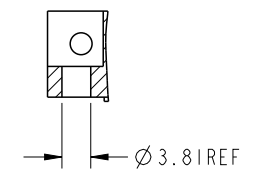
BROKEN-OUT SECTION A-A
SCALE 2:1



BROKEN-OUT SECTION B-B
SCALE 2:1



SECTION C-C



PARTIAL SECTION E-E



Copyright FCI.

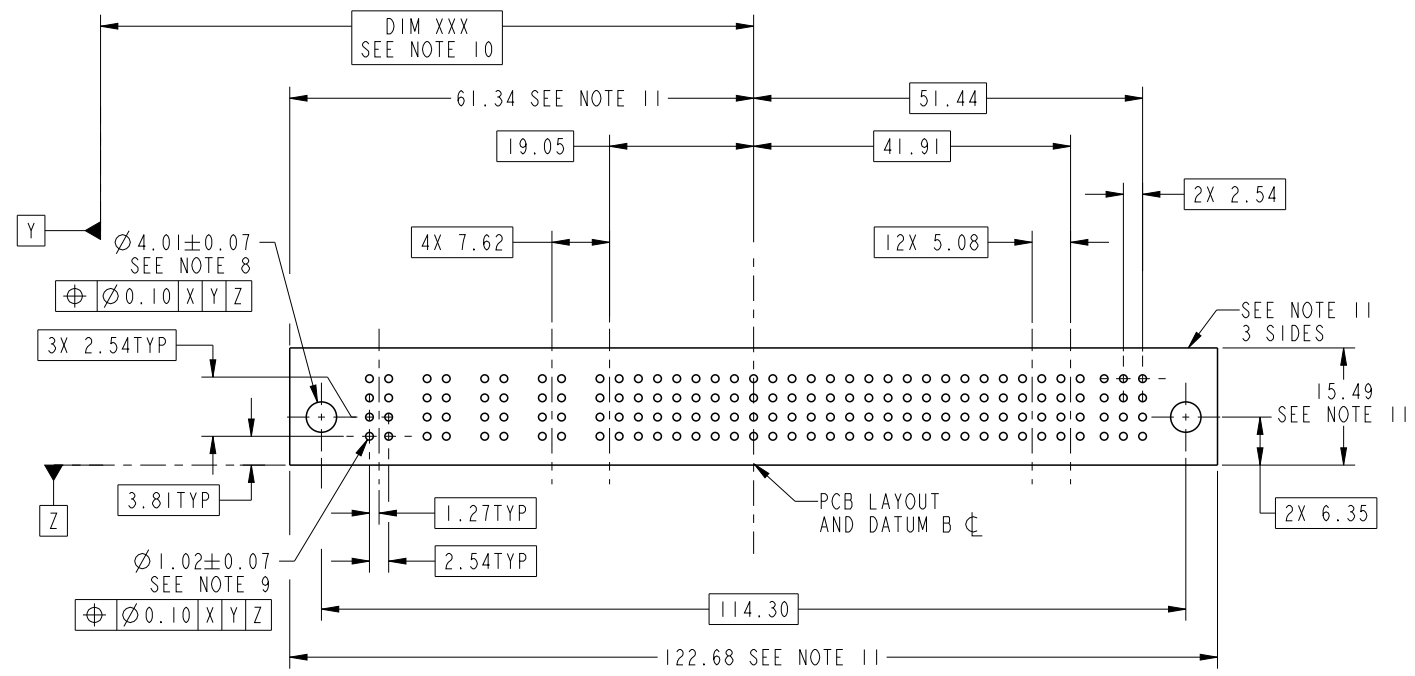
dr	Julia Wang	2011/09/28	projection 	MM 	size	A4	scale	1:1
eng	Julia Wang	2011/10/09			ecn no	-		
chr	-	-			rel level	Released		
appr	Pei-Ming Zheng	-	product family	PwrBlade	rev	A		
		title 12S + 17P R/A STB RECEPTACLE	dwg no 51915-323	cat. no. -	Product - Customer Drw	sheet 2 of 4		

A

B

C

D



RECOMMENDED PCB LAYOUT



Copyright FCI.

dr	Julia Wang	2011/09/28	projection 	MM 	size	A4	scale	1:1
eng	Julia Wang	2011/10/09			ecn no	-		
chr	-	-			rel level	Released		
appr	Pei-Ming Zheng	-	product family	PwrBlade	rev	A		
		title	12S + 17P		dwg no	51915-323		
www.fci.com		cat. no.	-		Product - Customer Drw		sheet 3 of 4	

NOTES:

1. DIMENSIONS AND TOLERANCES ARE IN ACCORDANCE WITH ASME Y14.5M, 1994 UNLESS OTHERWISE SPECIFIED.

CONNECTOR NOTES:

- 2. HOUSING MATERIAL: UL 94 V-0 GLASS FILLED HIGH-TEMP THERMOPLASTIC
POWER CONTACT MATERIAL: COPPER ALLOY
SIGNAL PIN MATERIAL: COPPER ALLOY
- 3. SEE ITEM 5 & 6 IN PRINT 10064183 FOR PLATING SPEC OF 51915-323 AND 51915-323LF RESPECTIVELY.
- 4. MANUFACTURER'S NAME, DATE CODE AND OPTIONAL P/N TO APPEAR ON THIS SURFACE. THE P/N CAN BE OMITTED IF THERE IS NOT ENOUGH SPACE ON THIS SURFACE.
- 5. PRODUCT SPECIFICATION GS-12-149.
APPLICATION SPECIFICATION BUS-20-067.
- 6. PACKAGED IN TRAYS.

PCB NOTES:

- 7. ALL HOLE DIAMETERS ARE FINISHED HOLE SIZE.
- 8. MOUNTING HOLES, WHERE APPLICABLE, ARE UNPLATED.
- 9. $\varnothing 1.151 \pm 0.025$ DRILLED HOLES PLATED WITH
0.008 MIN SnPb OR Sn OVER 0.03
TO 0.08 Cu PLATING TO ACHIEVE
 $\varnothing 1.02 \pm .07$ HOLE.
- 10. "DIM XXX" TO BE DETERMINED BY THE CUSTOMER.
- 11. CONNECTOR KEEP-OUT ZONE.
- 12. THE VOID CORING IN BETWEEN POWER MODULES, SIGNAL MODULES AND END MODULES ARE OPTIONAL AND THE SHAPE MAY BE DIFFERENT FOR OPTIMIZE THE MOLDING PROCESS. THE VOID CORING WILL NOT EFFECT TO PRODUCT FUNCTION.

dr	Julia Wang	2011/09/28	projection 	MM 	size	A4	scale	1:1			
eng	Julia Wang	2011/10/09			ecn no	-					
chr	-	-			product family	PwrBlade	rel level	Released			
appr	Pei-Ming Zheng	-			title	12S + 17P R/A STB RECEPTACLE		dwg no	51915-323	rev	A
www.fci.com		cat. no.	-	Product - Customer Drw			sheet 4 of 4				



Copyright FCI.