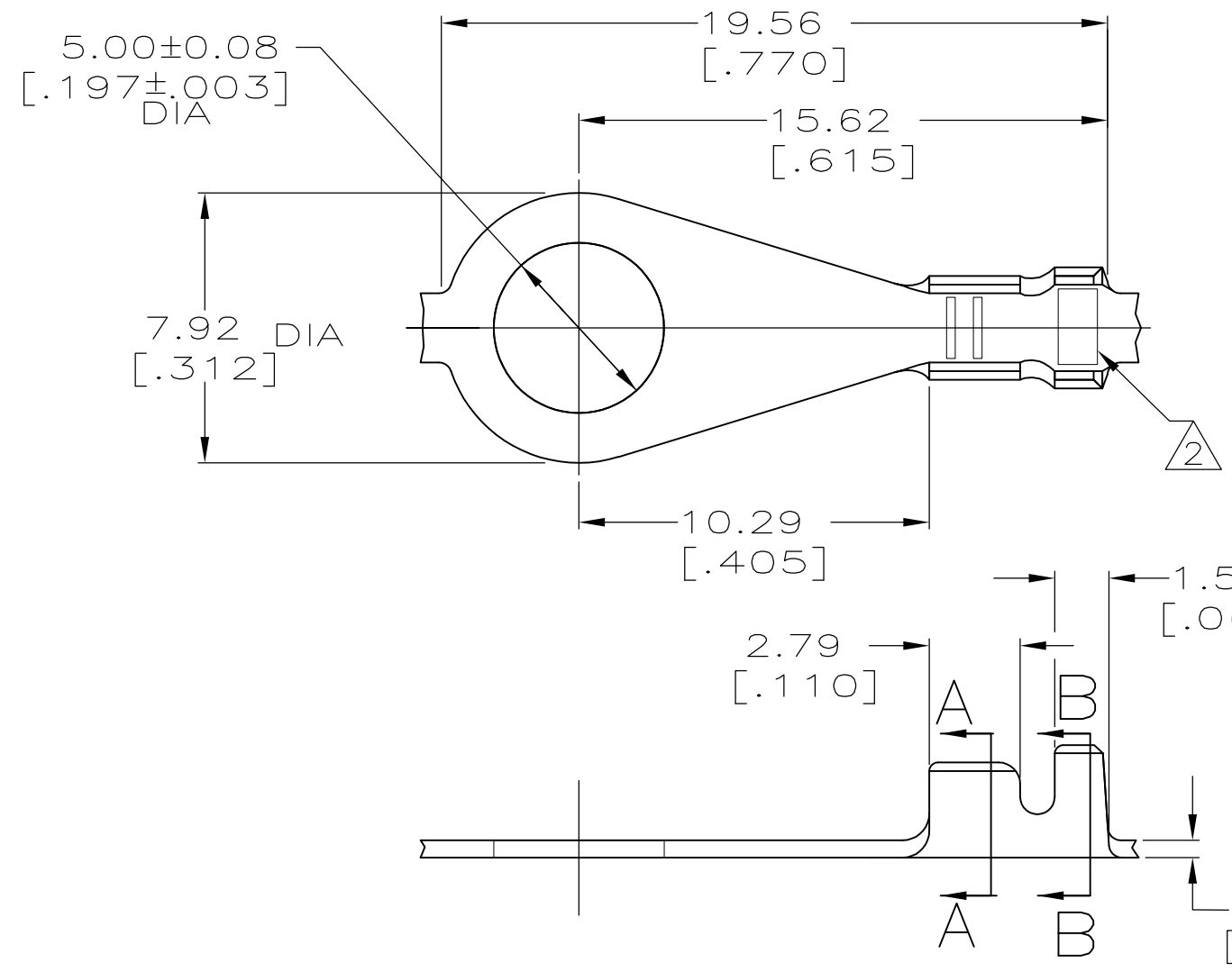
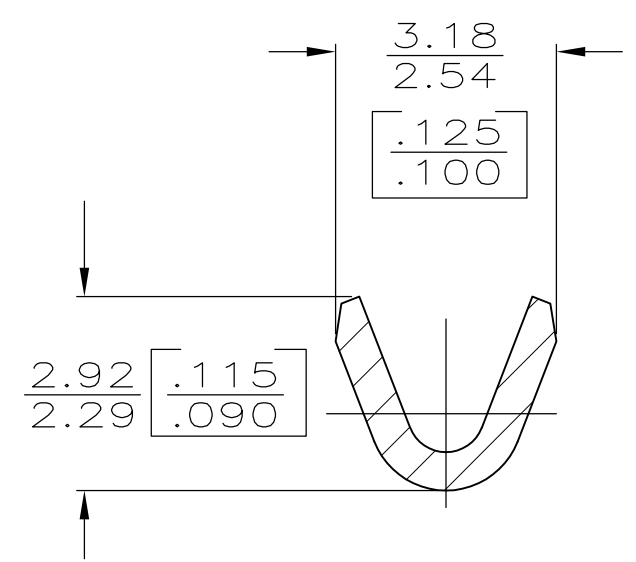


THIS DRAWING IS UNPUBLISHED. RELEASED FOR PUBLICATION
 © COPYRIGHT - By - ALL RIGHTS RESERVED.

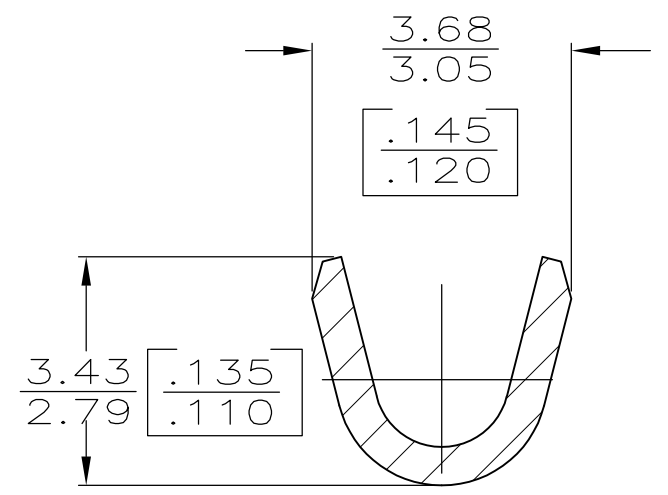
REVISIONS				
P	LTR	DESCRIPTION	DATE	APVD
	H2	REVISED PER ECR-16-013146	19SEP2016	BW DC



- CONTINUOUS STRIP ON REEL.
- STAMPING:
AMP FOR 42164-2
AMP* FOR 42164-3.



SECTION A-A
SCALE 10:1



SECTION B-B
SCALE 10:1

H02 PHOS BRZ	1.22-1.98 DIA	0.2 - 0.6mm ²	42164-3
#2 HD BRASS	[.048-.078]	[24-20] AWG	42164-2
MATERIAL	INSULATION RANGE	WIRE RANGE	PART NO

0	.090	2.29	4.32	F	2.03	1.40 [.055]	0.6mm ² [20]
F	.100	[.090]	[.170]	F	[.080]	1.35 [.053]	0.3mm ² [22]
						1.27 [.050]	0.2mm ² [24]
TYPE	WIDTH	STRIP LENGTH ±0.38 [±.015]	TYPE	WIDTH	±0.051 [±.002] HEIGHT	WIRE	
INSUL BARREL CRIMP			WIRE BARREL CRIMP				

THIS DRAWING IS A CONTROLLED DOCUMENT.

DIMENSIONS: mm [INCHES]

TOLERANCES UNLESS OTHERWISE SPECIFIED:

0 PLC ± -
 1 PLC ± -
 2 PLC ± 0.25 [.010]
 3 PLC ± -
 4 PLC ± -
 ANGLES ± -

MATERIAL: SEE TABLE
 FINISH: TIN

DWN P FORTNEY 5/13/91
 CHK JR RUTH 5/13/91
 APVD G YETTER 5/13/91

PRODUCT SPEC
 APPLICATION SPEC

WEIGHT 0.000000

CUSTOMER DRAWING

STE TE Connectivity

NAME: RING

SIZE: A3 CAGE CODE: 00779 DRAWING NO: C-42164 RESTRICTED TO: -

SCALE: 5:1 SHEET: 1 OF 1 REV: H2