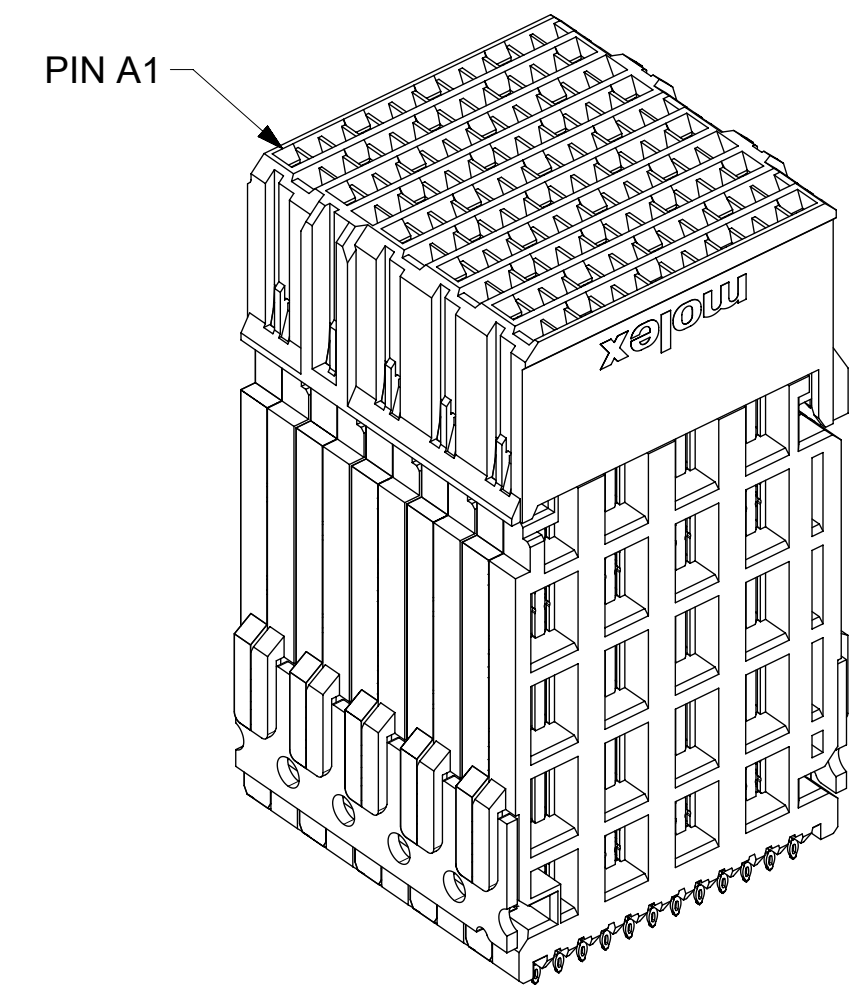


VERTICAL RECEPTACLE HOLE PATTERN (CONNECTOR SIDE)



- NOTES:
1. MATERIALS: HOUSING - LIQUID CRYSTAL POLYMER (LCP), GLASS-FILLED, UL94V-0
TERMINALS - HIGH PERFORMANCE COPPER ALLOY
 2. FINISH: 30 μINCH MIN SELECTIVE GOLD IN CONTACT AREA, SELECTIVE MATTE TIN ON PCB TAILS. NICKEL OVERALL.
 3. REFER TO MOLEX PRODUCT SPEC PS-170540-999 FOR PERFORMANCE SPECIFICATIONS AND ADDITIONAL PCB INFORMATION.
 4. EACH SIGNAL WAFER CONTAINS 2 COLUMNS OF TERMINALS.
 5. SEE CHARTS FOR PACKAGING SPECIFICATIONS.
 6. THIS PART CONFORMS TO CLASS B REQUIREMENTS OF COSMETIC SPECIFICATION PS-45499-002.
 7. REFER TO MOLEX SALES DRAWING SD-170335-0001 FOR THE MATING HEADERS.
 8. REFER TO MOLEX PCB ROUTING GUIDE AS-76060-990 FOR ANTIPAD AND ROUTING RECOMMENDATIONS.
 9. MARKING: LOCATED APPROXIMATELY AS SHOWN PART NUMBER & DATE CODE
 10. GROUND PATHS ARE NOT DISCRETE CIRCUITS WITHIN CONNECTOR DUE TO PRESENCE OF PLUS CLIP.
 11. PART NUMBER 170390-1030 SHOWN ON DRAWING. KEYING FEATURES WILL CHANGE WITH COLUMN SIZE.
 12. THESE DIMENSIONS REPRESENT THE AREA NEEDED TO ACCOMODATE CONNECTOR INSERTION AND REPAIR ON THE PCB. THIS IS REFERRED TO AS THE "CONNECTOR KEEP OUT ZONE" AND DOES NOT REPRESENT THE ACTUAL PERIMETER OF THE CONNECTOR.

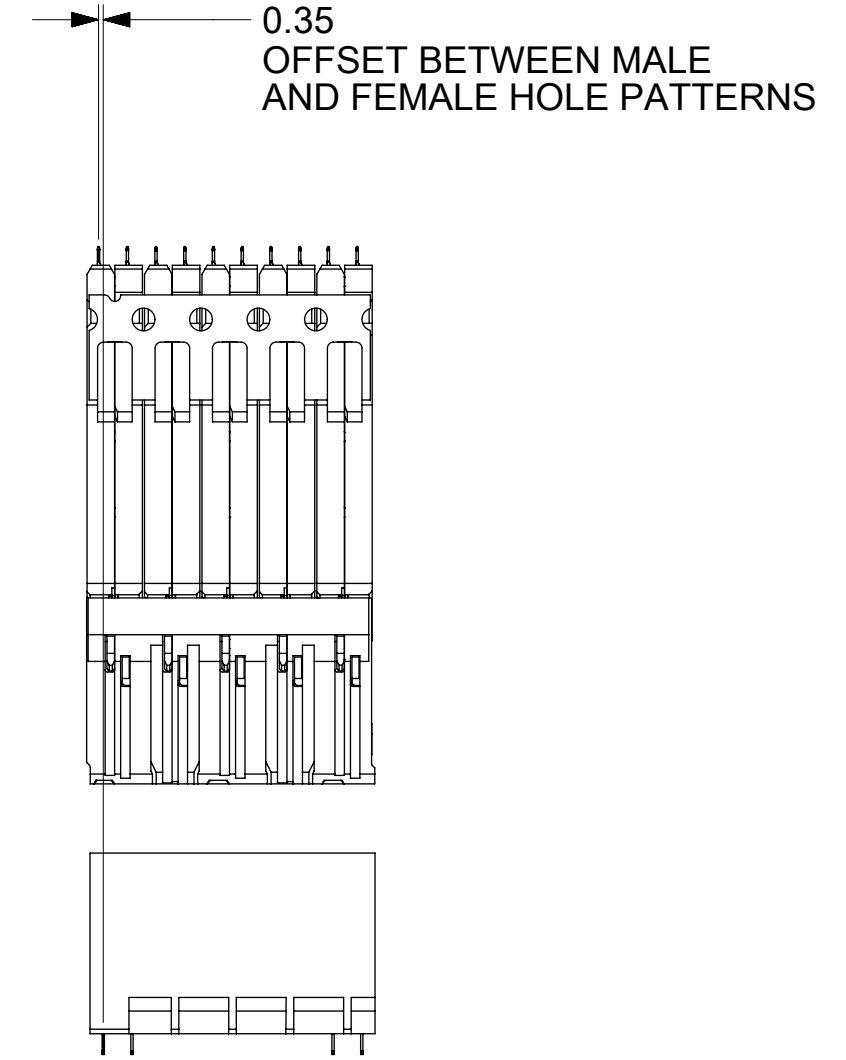
SYMBOLS		THIS DRAWING CONTAINS INFORMATION THAT IS PROPRIETARY TO MOLEX ELECTRONIC TECHNOLOGIES, LLC AND SHOULD NOT BE USED WITHOUT WRITTEN PERMISSION	
	= 0	DIMENSION UNITS	SCALE
	= 0	MM	3:1
	= 0	CURRENT REV DESC: MIGRATED TO NX	
	= 0	GENERAL TOLERANCES (UNLESS SPECIFIED)	
	= 0	ANGULAR TOL	± 0.5°
	= 0	4 PLACES	±
	= 0	3 PLACES	±
	= 0	2 PLACES	± 0.13
	= 0	1 PLACE	± 0.25
	= 0	0 PLACES	±
	= 0	DRAFT WHERE APPLICABLE MUST REMAIN WITHIN DIMENSIONS	
	= 0	THIRD ANGLE PROJECTION	DRAWING SERIES
	= 0	C-SIZE	170390
EC NO: 173912		2018/03/28	
DRWN: DVARVARA		2018/04/02	
CHK'D: TELO		2018/04/02	
APPR: TELO		2018/04/02	
INITIAL REVISION:		2013/04/03	
DRWN: JBINGHAM		2013/04/05	
APPR: JLAURX		2013/04/05	
DOCUMENT NUMBER		DOC TYPE	DOC PART
SD-170390-0001		PSD	001
MATERIAL NUMBER		CUSTOMER	SHEET NUMBER
SEE CHART		GENERAL MARKET	1 OF 2

PART NUMBER CHART

MATERIAL NUMBER	# OF COLUMNS	# OF DIFF PAIRS	DIM "A" MAX	DIM "B"	DIM "C"	DIM "D"	PACKAGING SPEC	18mm STACK HEIGHT (DIM H)
170390-1008	8	32	15.1	13.3	15.36	19.41	PK-70873-4001	
170390-1000	10	40	18.9	17.1				
170390-1002	12	48	22.7	20.9				
170390-1007	14	56	26.5	24.7				
170390-1006	16	64	30.3	28.5				
170390-1009	18	72	34.1	32.3				

MATERIAL NUMBER	# OF COLUMNS	# OF DIFF PAIRS	DIM "A" MAX	DIM "B"	DIM "C"	DIM "D"	PACKAGING SPEC	25mm STACK HEIGHT (DIM H)
170390-1028	8	32	15.1	13.3	22.36	19.41	PK-70873-4002	
170390-1020	10	40	18.9	17.1				
170390-1022	12	48	22.7	20.9				
170390-1027	14	56	26.5	24.7				
170390-1026	16	64	30.3	28.5				
170390-1029	18	72	34.1	32.3				

MATERIAL NUMBER	# OF COLUMNS	# OF DIFF PAIRS	DIM "A" MAX	DIM "B"	DIM "C"	DIM "D"	PACKAGING SPEC	37mm STACK HEIGHT (DIM H)
170390-1038	8	32	15.1	13.3	34.36	20.65	PK-70873-0044	
170390-1030	10	40	18.9	17.1				
170390-1032	12	48	22.7	20.9				
170390-1037	14	56	26.5	24.7				
170390-1036	16	64	30.3	28.5				
170390-1039	18	72	34.1	32.3				



PART NUMBER LOGIC

170390-103*

MODULE AND TAIL PLATING TYPE
1 = UNGUIDED, MATTE TIN

KEY ORIENTATION
0 = UNGUIDED

STACK HEIGHT (H)
0 = 18mm
2 = 25mm
3 = 37mm

OF COLUMNS
0 = 10 COL
2 = 12 COL
6 = 16 COL
7 = 14 COL
8 = 8 COL
9 = 18 COL

THIS DRAWING CONTAINS INFORMATION THAT IS PROPRIETARY TO MOLEX ELECTRONIC TECHNOLOGIES, LLC AND SHOULD NOT BE USED WITHOUT WRITTEN PERMISSION													
SYMBOLS		DIMENSION UNITS		SCALE		CURRENT REV DESC: MIGRATED TO NX							
▽ = 0		MM		3:1		EC NO: 173912 DRWN: DVARVARA 2018/03/28 CHK'D: TELO 2018/04/02 APPR: TELO 2018/04/02 INITIAL REVISION: DRWN: JBINGHAM 2013/04/03 APPR: JLAURX 2013/04/05							
▽ = 0		GENERAL TOLERANCES (UNLESS SPECIFIED)											
▽ = 0		ANGULAR TOL ± 0.5°											
▽ = 0		4 PLACES ±											
▽ = 0		3 PLACES ±											
▽ = 0		2 PLACES ± 0.13				PRODUCT CUSTOMER DRAWING DOCUMENT NUMBER: SD-170390-0001 DOC TYPE: PSD DOC PART: 001 REVISION: A5 MATERIAL NUMBER: SEE CHART CUSTOMER: GENERAL MARKET SHEET NUMBER: 2 OF 2							
▽ = 0		1 PLACE ± 0.25											
☒ = 0		0 PLACES ±											
■ = 0		DRAFT WHERE APPLICABLE MUST REMAIN WITHIN DIMENSIONS				THIRD ANGLE PROJECTION		DRAWING		SERIES			
▽ = 0		C-SIZE		170390									