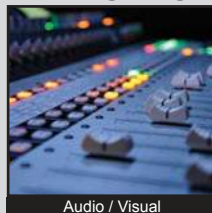


TL9210 SERIES TACT SWITCH

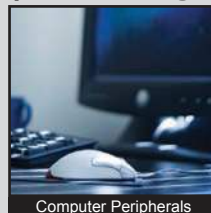
ANTI-VANDAL SWITCHES
 DETECTOR SWITCHES
 DIP SWITCHES
 KEYLOCK SWITCHES
 NAVIGATION SWITCHES
 PUSHBUTTON SWITCHES
 ROCKER SWITCHES
 ROTARY SWITCHES
 SLIDE SWITCHES
 SNAP ACTION SWITCHES
TACTILE SWITCHES
 TOGGLE SWITCHES
 CAP OPTIONS



APPLICATIONS / MARKETS



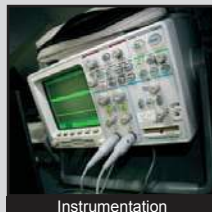
Audio / Visual



Computer Peripherals



Consumer Electronics



Instrumentation



Telecommunication



Medical Equipment

RoHS

SPECIFICATIONS

Electrical Rating: 50mA @ 12VDC
Electrical Life: 100,000 Cycles
Mechanical Life: 100,000 Cycles
Contact Resistance: 100mΩ initial
Insulation Resistance: 100MΩ Min. @ 100VDC
Dielectric Strength: 250VAC for 1 min.
Operating Temperature: -20°C to 70°C
Storage Temperature: -30°C to 80°C
Operating Force: 200 +/- 80 gf
Travel: 1.3mm +/- 0.15mm
Contact Arrangement: SPST

FEATURES & BENEFITS

- Surface mount termination
- Multiple operating force options
- Long travel
- Quiet tactile feel
- Low contact resistance

PART NUMBER CONFIGURATOR

Series	Model	Actuator "L" Dimensions	Operating Force	Contact Material
<input type="text" value="TL"/>	<input type="text" value="9210"/>	<input type="text" value="A - 5.0mm"/>	<input type="text" value="F180 - 180 grams"/> <input type="text" value="F260 - 260 grams"/>	<input type="text" value="Q - Silver"/>

Specifications subject to change without notice



E-SWITCH®

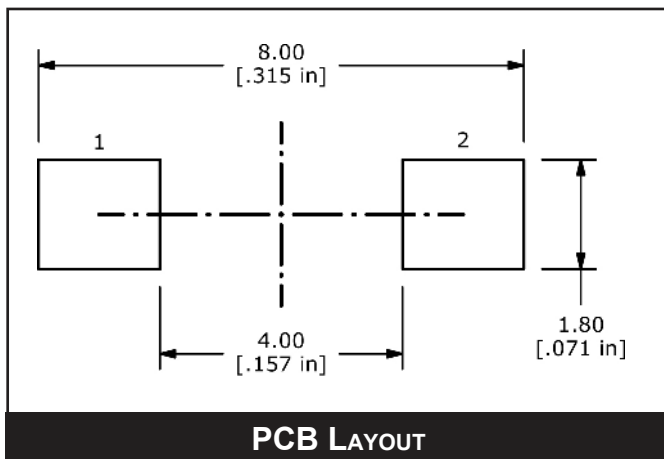
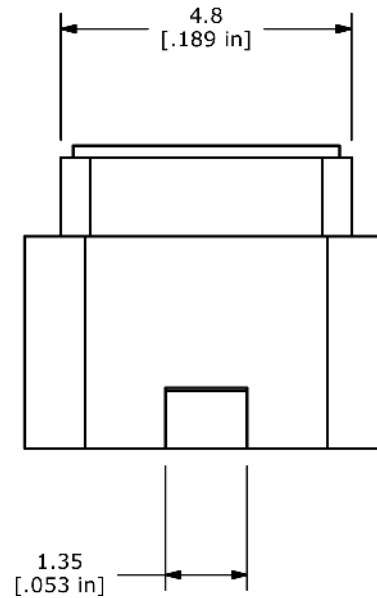
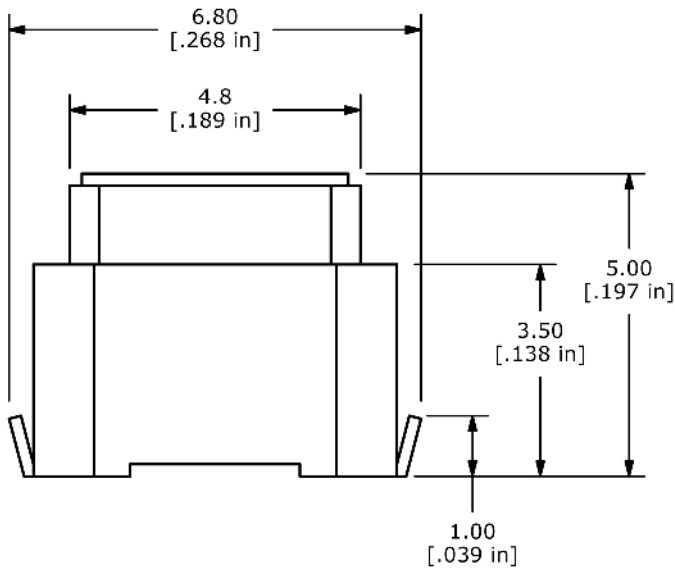
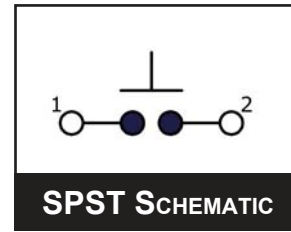
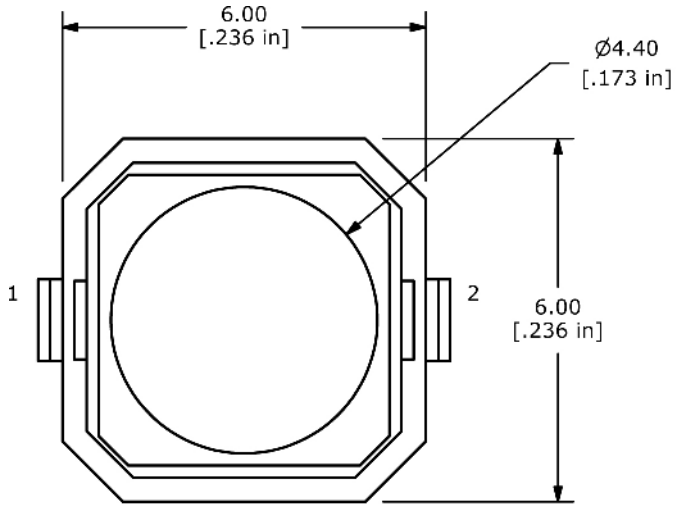
www.e-switch.com

800.867.2717

2

TL9210 SERIES TACT SWITCH

BODY DIMENSIONS



- ANTI-VANDAL SWITCHES
- DETECTOR SWITCHES
- DIP SWITCHES
- KEYLOCK SWITCHES
- NAVIGATION SWITCHES
- PUSHBUTTON SWITCHES
- ROCKER SWITCHES
- ROTARY SWITCHES
- SLIDE SWITCHES
- SNAP ACTION SWITCHES
- TACTILE SWITCHES
- TOGGLE SWITCHES
- CAP OPTIONS

